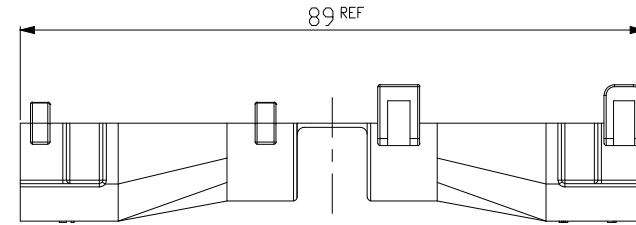
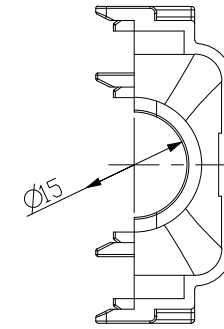
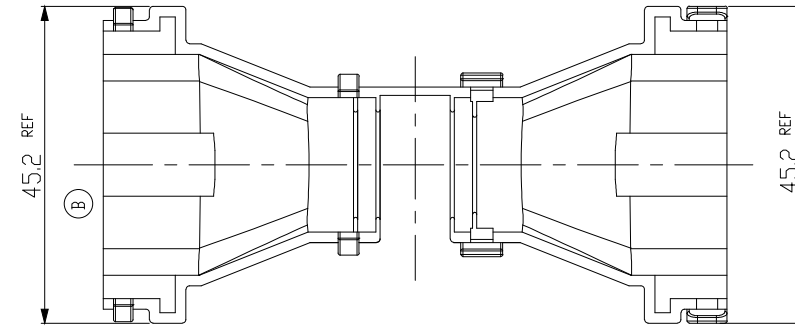
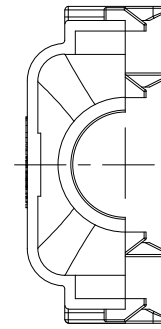
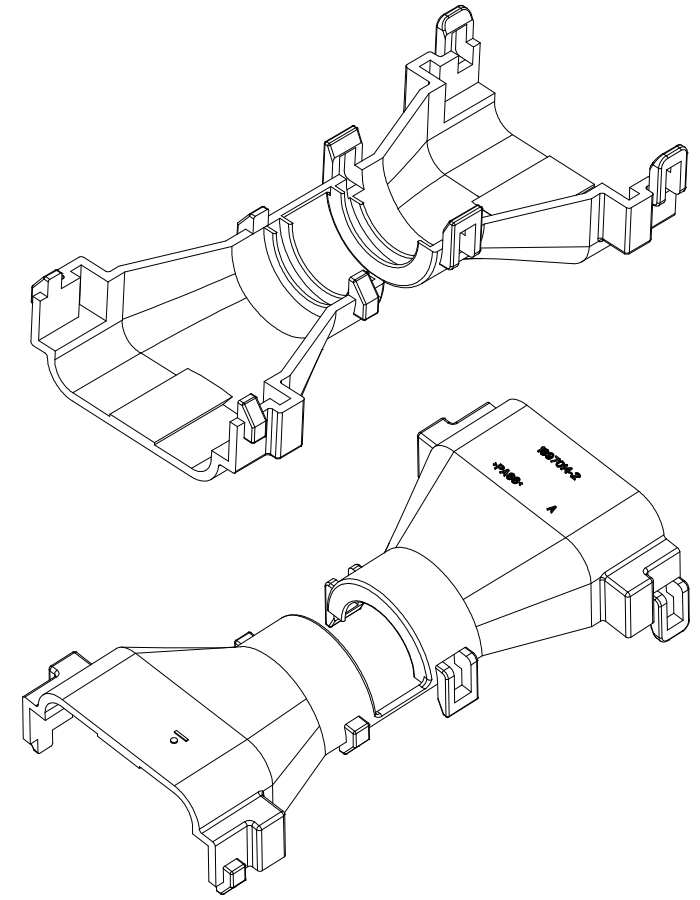
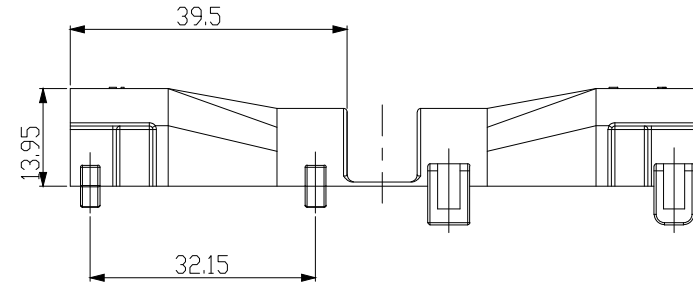
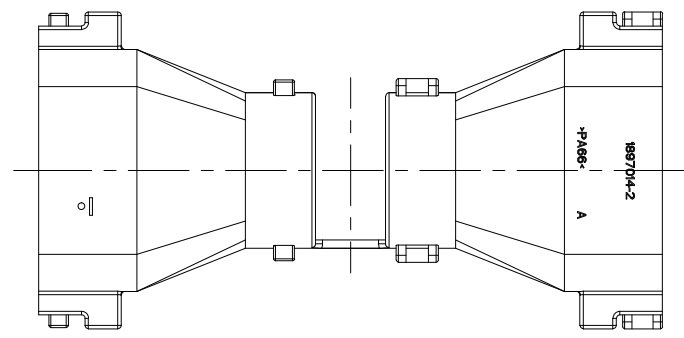


THIS DRAWING IS UNPUBLISHED. RELEASED FOR PUBLICATION 20  
 © COPYRIGHT 20 BY - TE Connectivity ALL RIGHTS RESERVED.


REVISIONS				
P	LTR	DESCRIPTION	DATE	DWN APVD
	B1	REVISED (ECR-16-015632)	04.NOV.16	SJ JW



NOTE  
 1. GENERAL TOLERANCE: ±0.3  
 2. APPLICABLE CONNECTOR: X-1897009-X  
 3. APPLICABLE CORRUGATE TUBE: Ø14mm  
 4. APPLICATION TEST SPEC: MS210-06C (EXCEPT 4.4)



BLACK	PA66	1897014-2
COLOR	MATERIAL	P/N

THIS DRAWING IS A CONTROLLED DOCUMENT.		DWN SJ CHOI	 TE Connectivity	
DIMENSIONS: mm		CHK SJ CHOI		
TOLERANCES UNLESS OTHERWISE SPECIFIED:		APVD JW JUNG	NAME PLUG WIRE COVER FOR MTII/JPT SEALED 26P PLUG ASS'Y	
0 PLC ±		PRODUCT SPEC	RESTRICTED TO	
1 PLC ±		APPLICATION SPEC	SIZE A3	CAGE CODE 00779
2 PLC ±		WEIGHT	DRAWING NO C-1897014	SCALE 1:1
3 PLC ±		CUSTOMER DRAWING	SHEET 1 OF 1	REV B1
4 PLC ±				
ANGLES ±				
FINISH				
MATERIAL SEE TABLE				