

## H3-MACP-009945-CH0670

5-1200MHz 75Ω 17.5dB Coupler

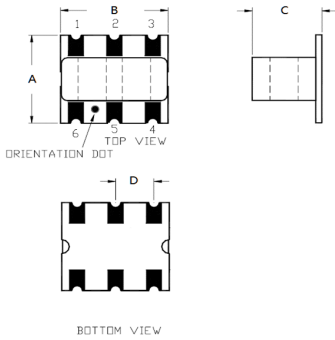
### APPLICATIONS

• Ideally suited for CATV Broadband applications.

### FEATURES

- Surface mount
- 17.5dB Coupler
- RoHS compliant and Pb free
- Available on tape and reel

### DIMENSIONS

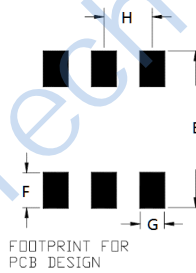


A	B	C
6.35	7.11	4.84±10%
D		
2.54		

Unless otherwise stated dimensions are in mm

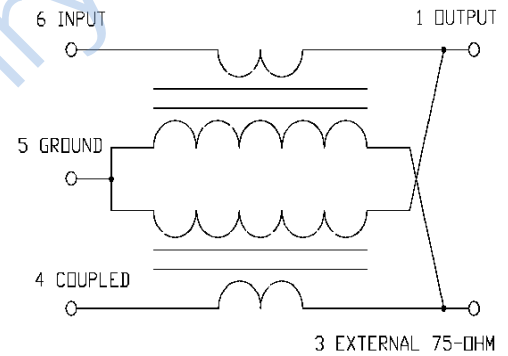
Tolerance: .xx ± 0.25, .xxx ± 0.05

### Land Pattern



E	F	G
7.87	1.78	1.27
H		
2.54		

### FUNCTIONAL SCHEMATIC



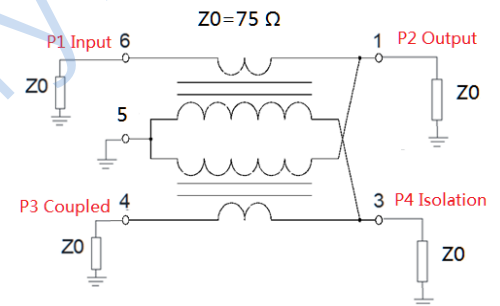
### PIN CONFIGURATION

Pin No.	Function
1	Output
2	Not Connected
3	External 75 Ohm
4	Coupled
5	Ground
6	Input

### ELECTRICAL SPECIFICATIONS@25°C:

Parameters (P#: ENA PORT)	frequency band	Min.	Typ.	Max.	Unit
Port Impedance, Z0(P1/P2/P3/P4)			75/75/75/75		Ohm
Coupling (pin6-4)	5 - 1002 MHz	17.0	17.5	18.0	dB
	1002 - 1200 MHz	16.5	17.5	18.5	dB
Main Line Loss (pin6-1)	5 - 870 MHz		0.5	1	dB
	870 - 1002 MHz		0.9	1.2	dB
	1002 - 1200 MHz		1.2	1.6	dB
Input Return Loss (pin6)	5 - 870 MHz	22	27		dB
	870 - 1002 MHz	20	26		dB
	1002 - 1200 MHz	16	24		dB
Output Return Loss (pin1)	5 - 870 MHz	22	33		dB
	870 - 1002 MHz	18	23		dB
	1002 - 1200 MHz	15	19		dB
Coupled Return Loss (pin4)	5 - 870 MHz	22	28		dB
	870 - 1002 MHz	20	23		dB
	1002 - 1200 MHz	18	21		dB
Directivity	5 - 200 MHz	30	40		dB
	200 - 1002 MHz	8	15		dB
	1002 - 1200 MHz	4	10		dB

### APPLICATION & TEST CIRCUIT



### ABSOLUTE MAXIMUM RATINGS

Parameter	Value
Input RF Power	250mW Max
DC Current	30mA Max
Operating Temperature Range	-40 to 85°C

Tel: +86-28-85589664

E-mail: mr\_li@henglitaitech.com

Web: www.hltchips.com

Adress:No.198 Tianqin East Street, Gaoxin West District, Chengdu City

## TEST CURVE

