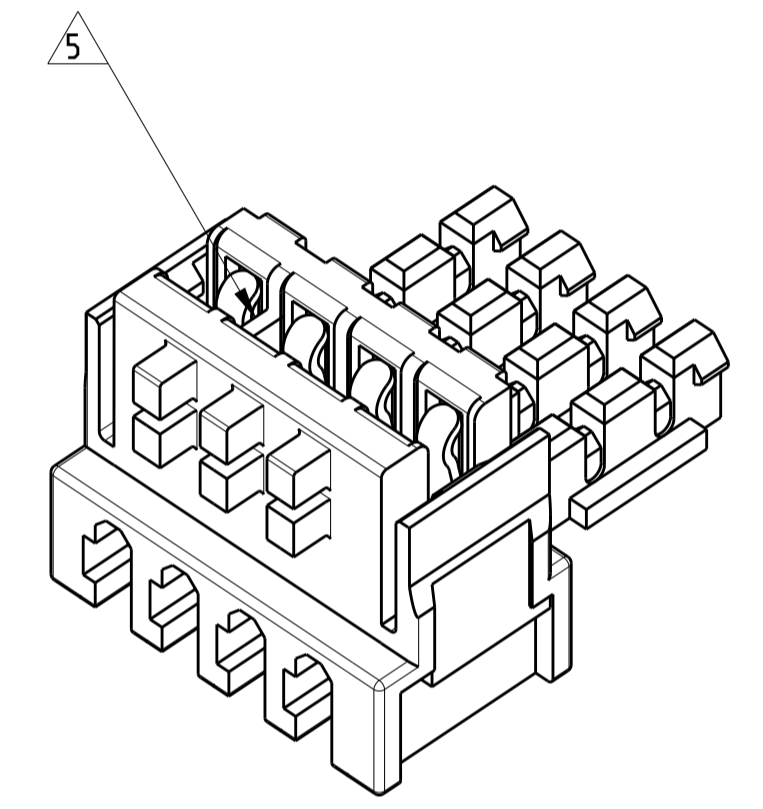
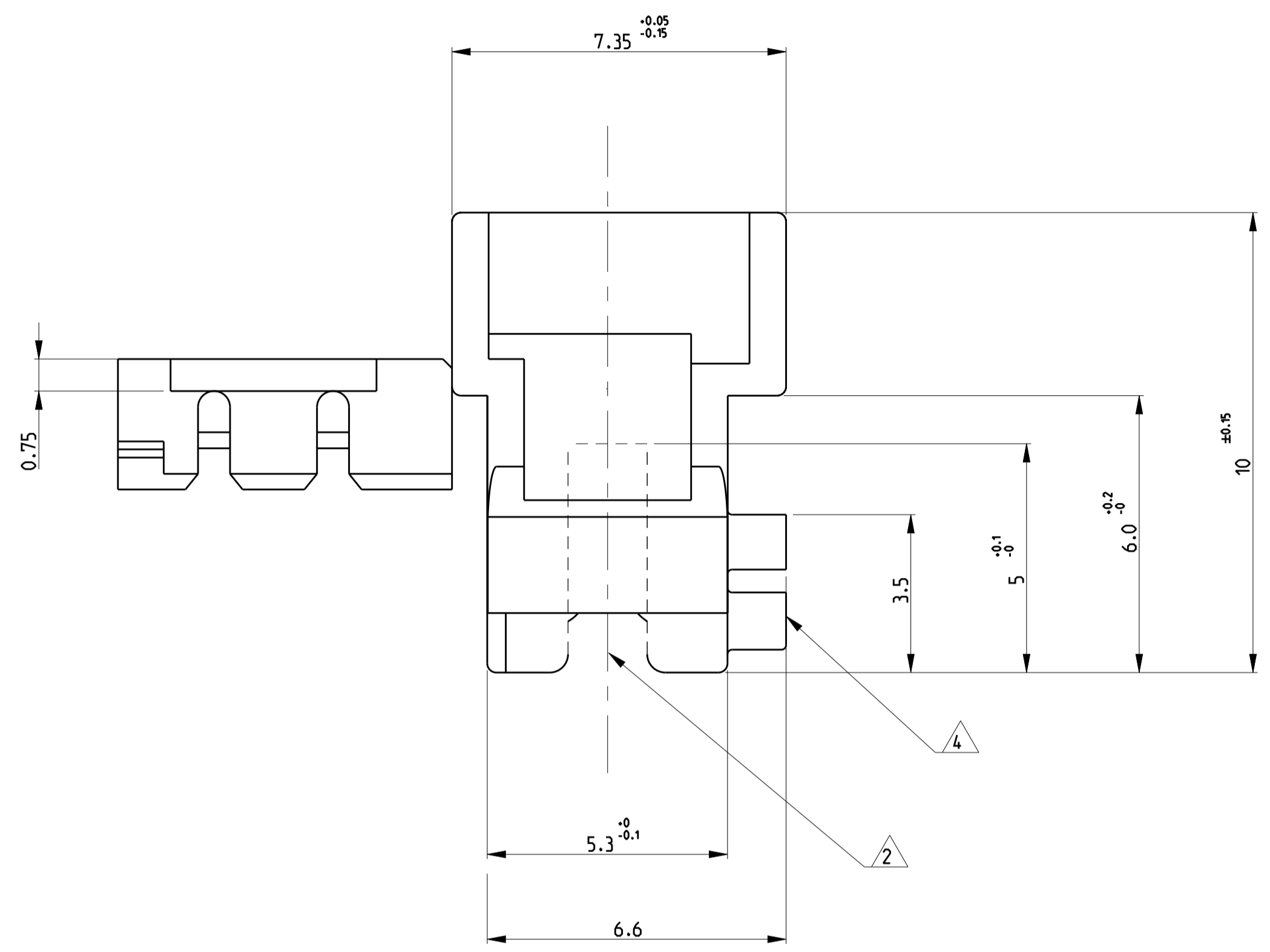
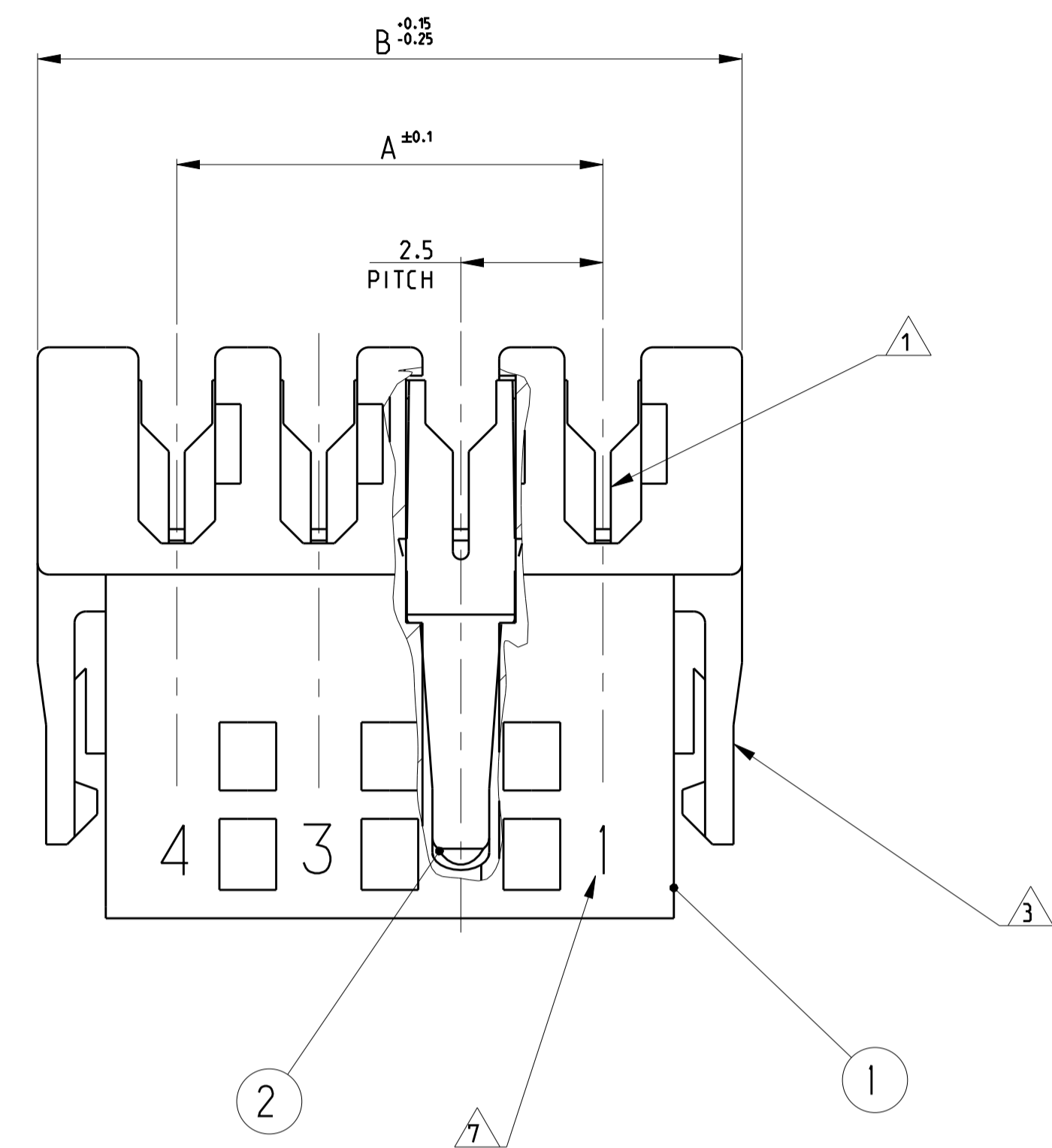
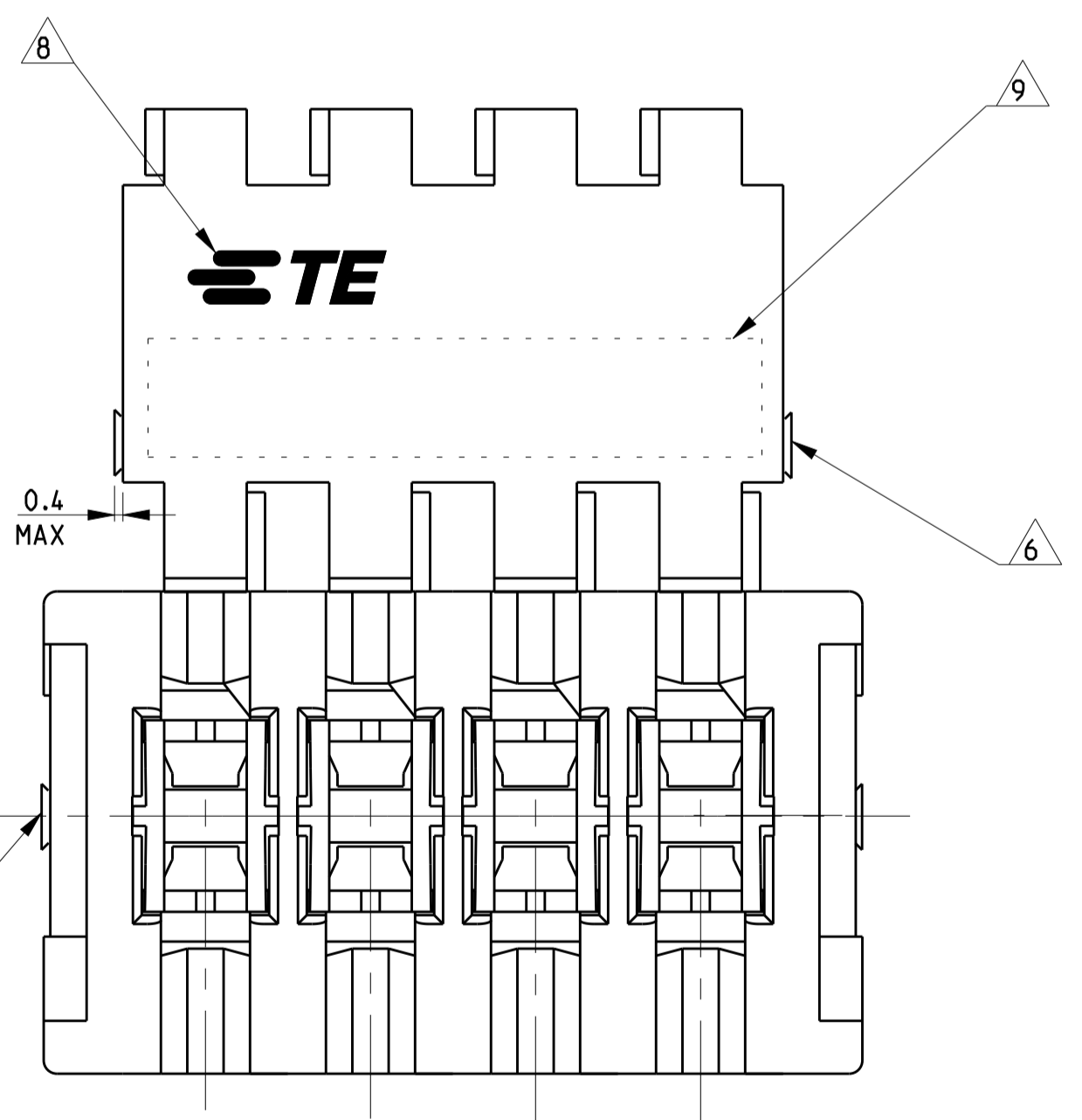


LOC	DIST	REVISIONS			
		P. LTR	DESCRIPTION	DATE	DWN APVD
		A22	ECR-19-004458	26MAR2019	LZ FL
		A23	ECR-19-005718	15APR2019	LZ FL



SCALE 5:1



- ① WIRE RANGE : STRANDED 0.22-0.35 mm<sup>2</sup> (INS. DIA. 1.30±0.1)
- ② MATING PART: P.C.B. EDGE, DOUBLE SIDE, THK 1.5 (COPPER CLADDING INCLUDED)
- ③ SIDE LOCKING DEVICE
- ④ KEYING RIBS TO BE REMOVED BY TERMINATION MACHINE
- ⑤ POLARIZATION RIBS BETWEEN CAVITIES
- ⑥ CUT OFF DIMENSION DUE TO PRODUCTION PROCESS
- ⑦ CIRCUIT No. IDENTIFICATION
- ⑧ TE TRADEMARK (OPTIONAL POSITION)
- ⑨ TAMPOGRAPHIC COLOUR CODE AREA (P/Ns IDENTIFICATION BEFORE CRIMPING AREA)
- ⑩ FOR PCB LAYOUT, SEE PAGES 2-3  
FOR CONNECTION VIEW LAYOUT, SEE PAGE 3
- ⑪ NOT YET RELEASED FOR PRODUCTION
- ⑫ NOT DEFINED DURING PRELIMINARY STATUS
- ⑬ PBT GF
- ⑭ PBT GF, UL94-V0 & GWEP7 750 NO-FLAME, NATURAL

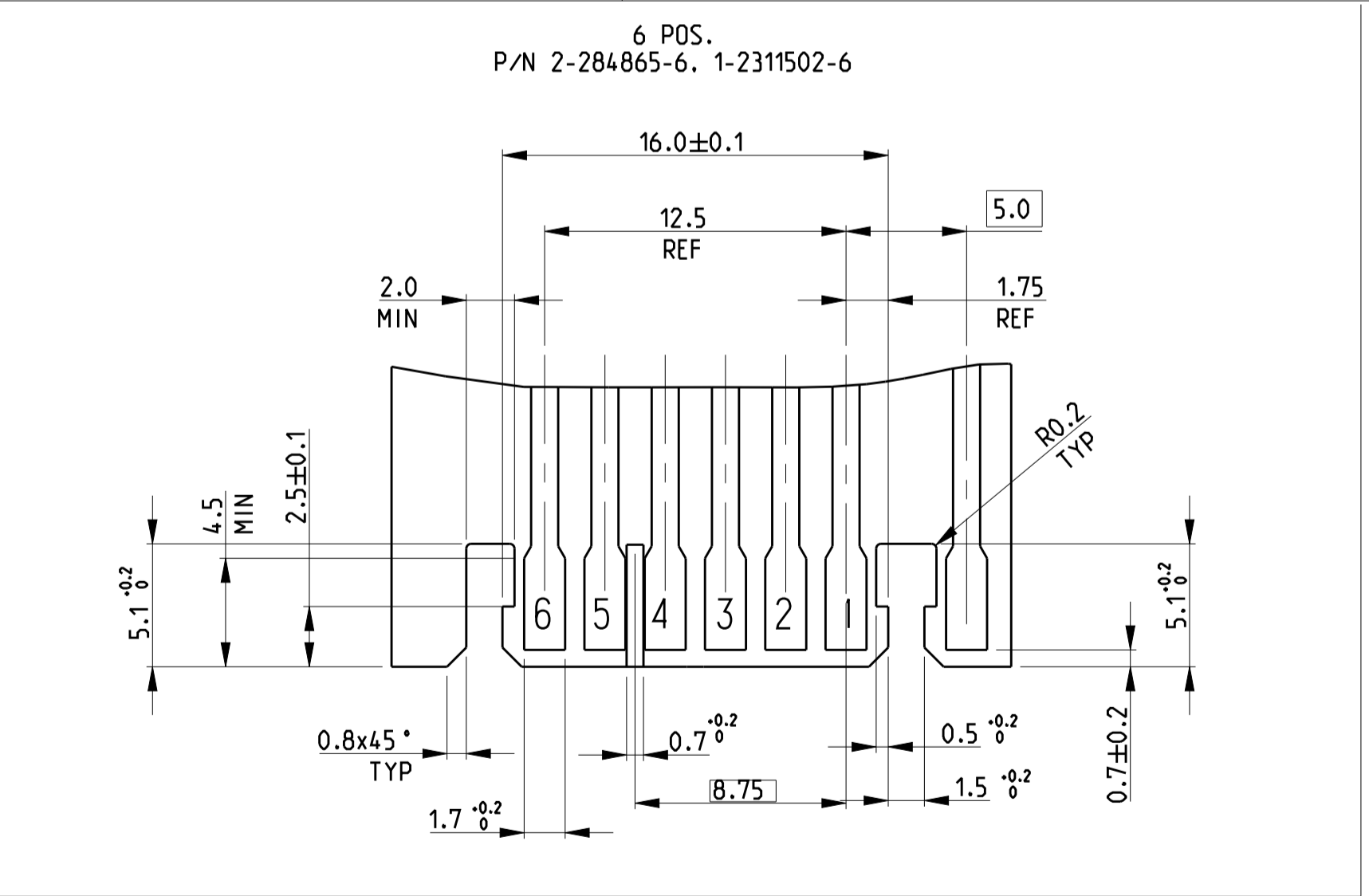
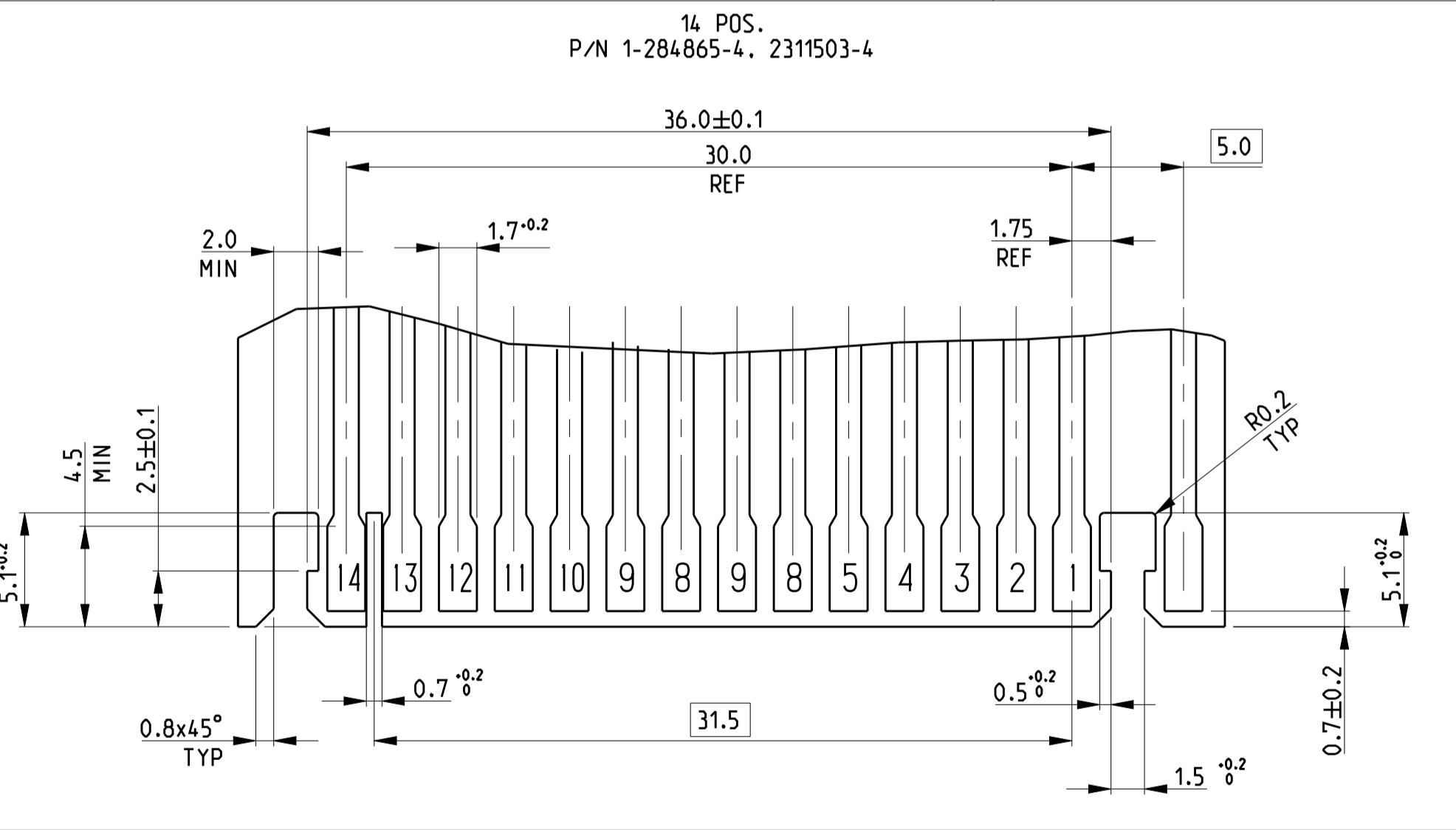
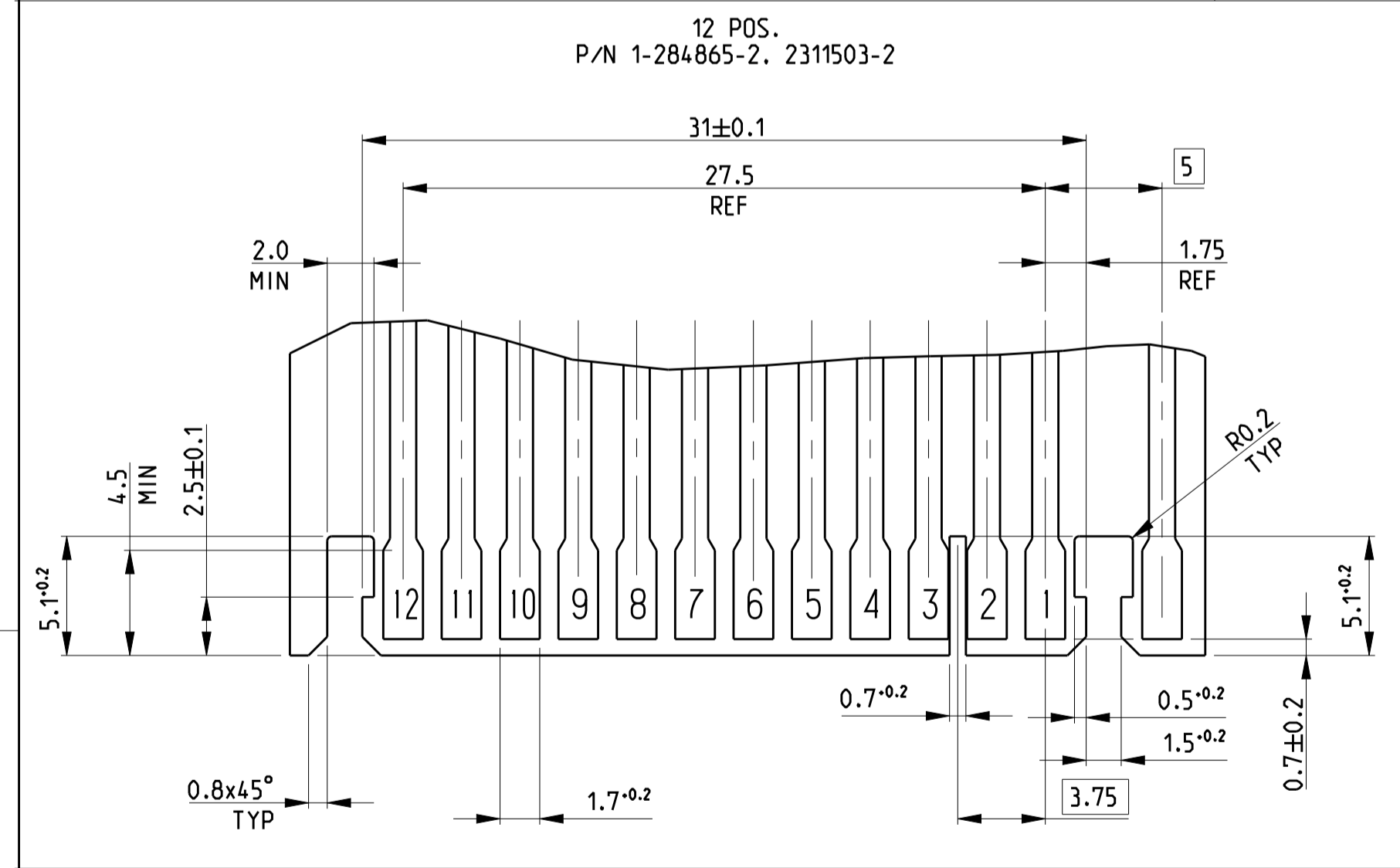
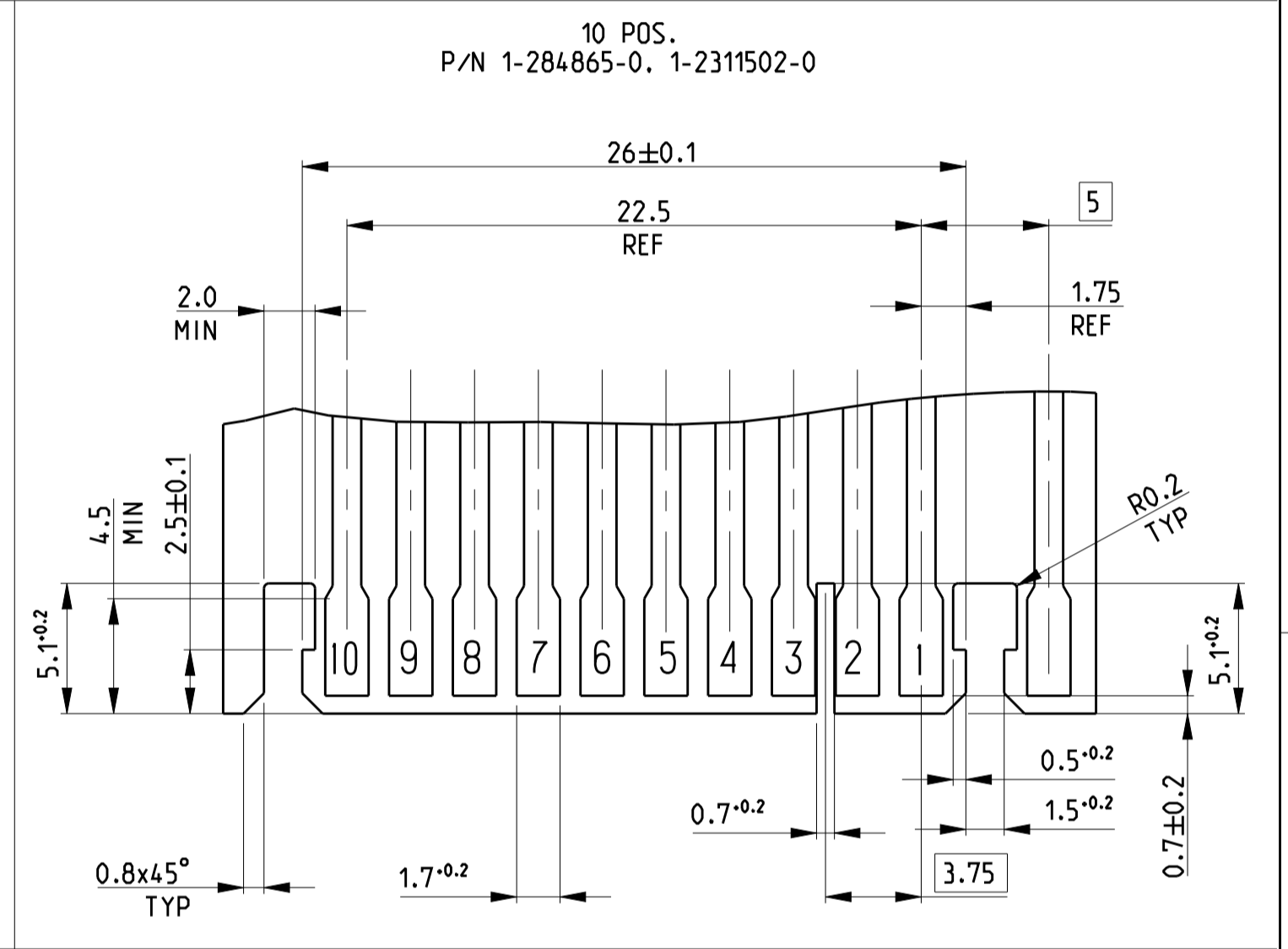
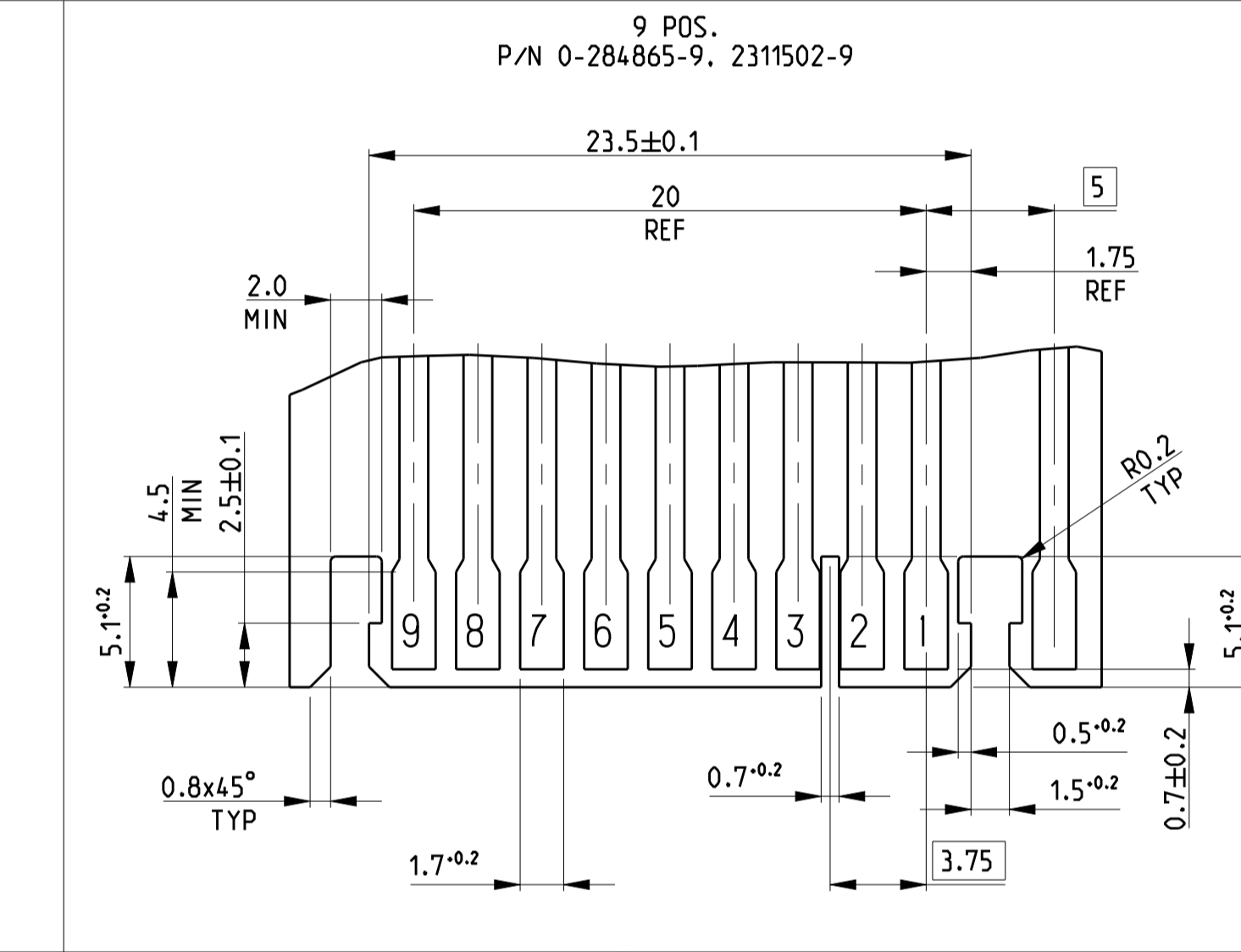
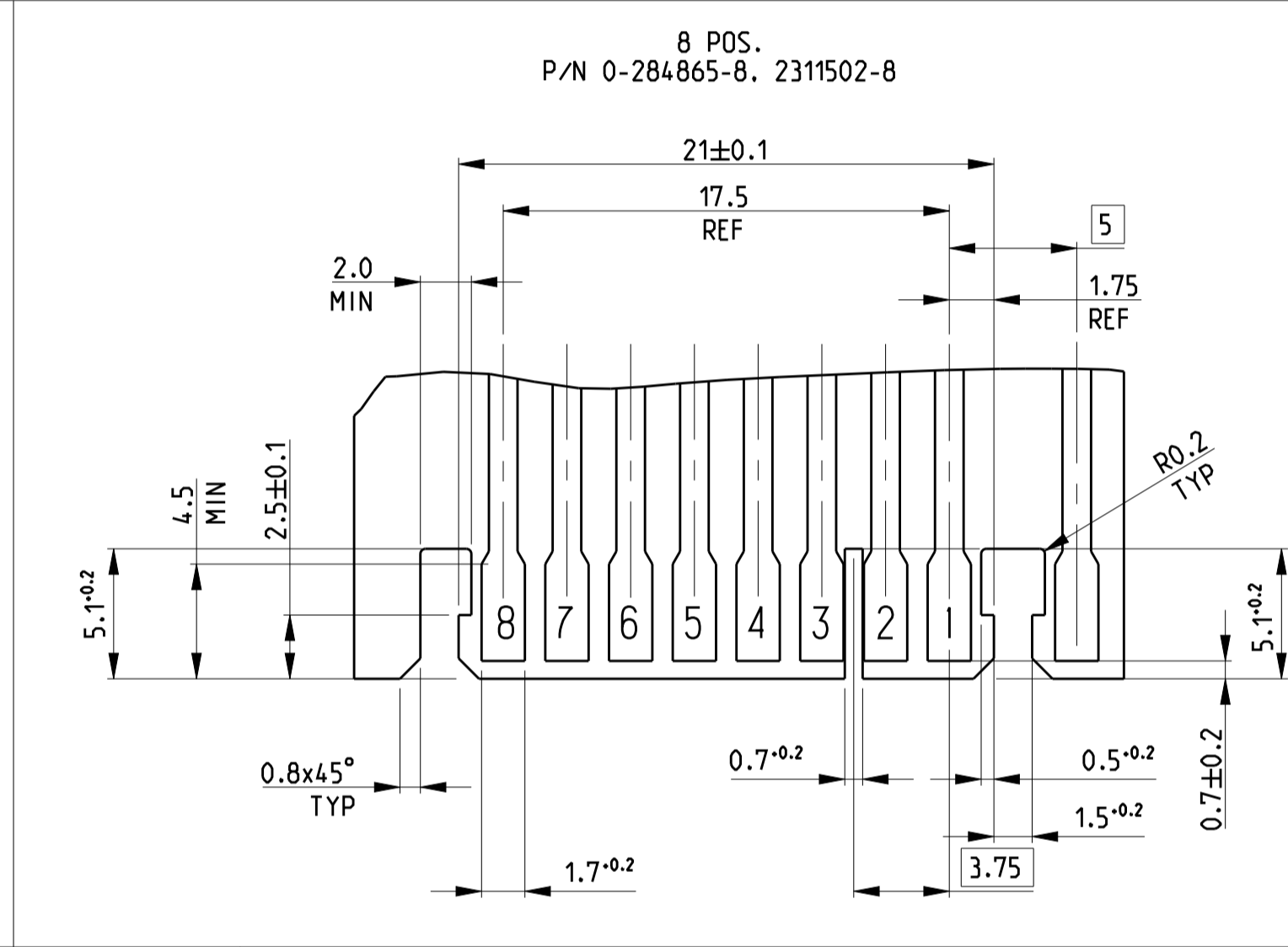
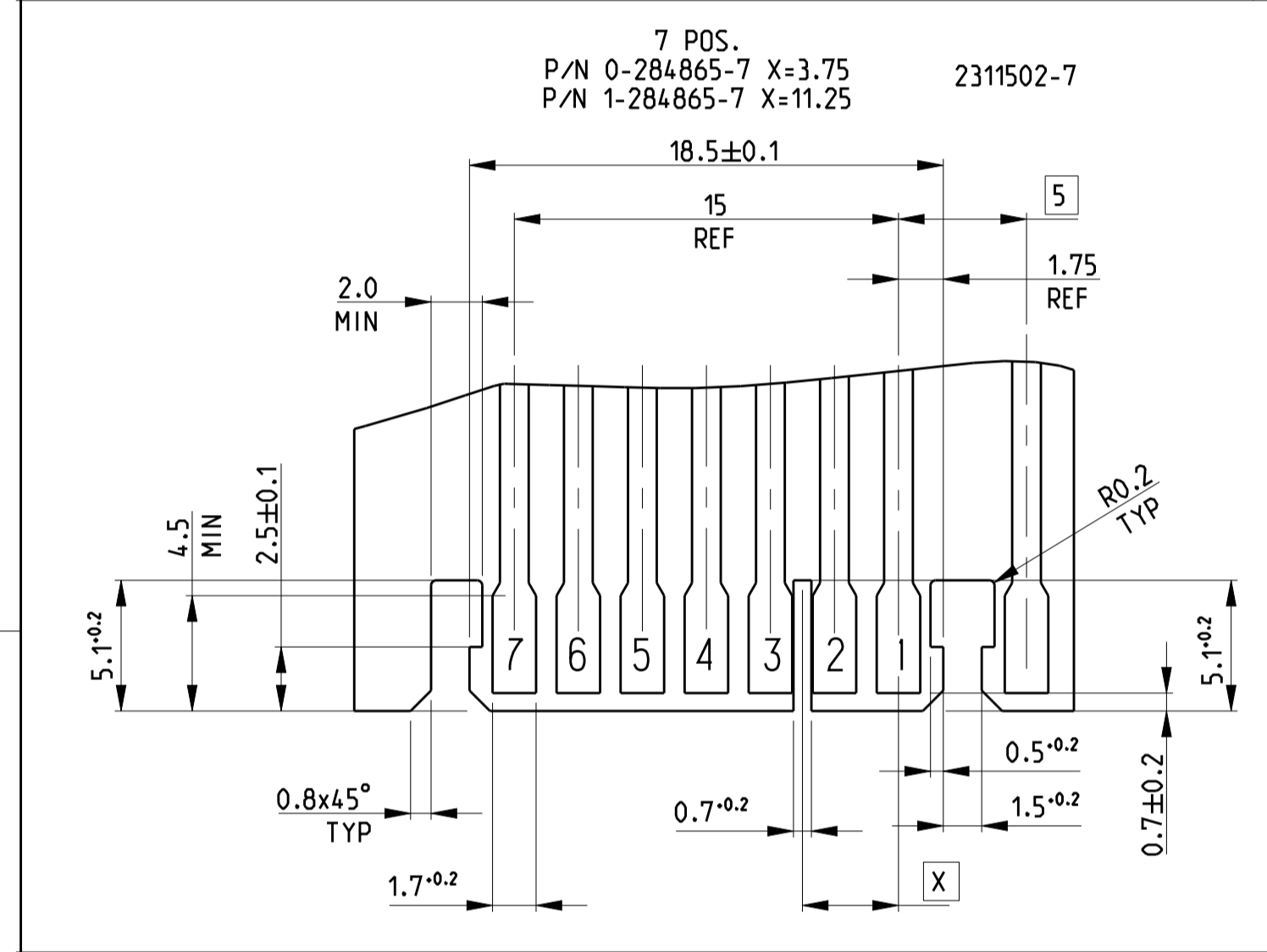
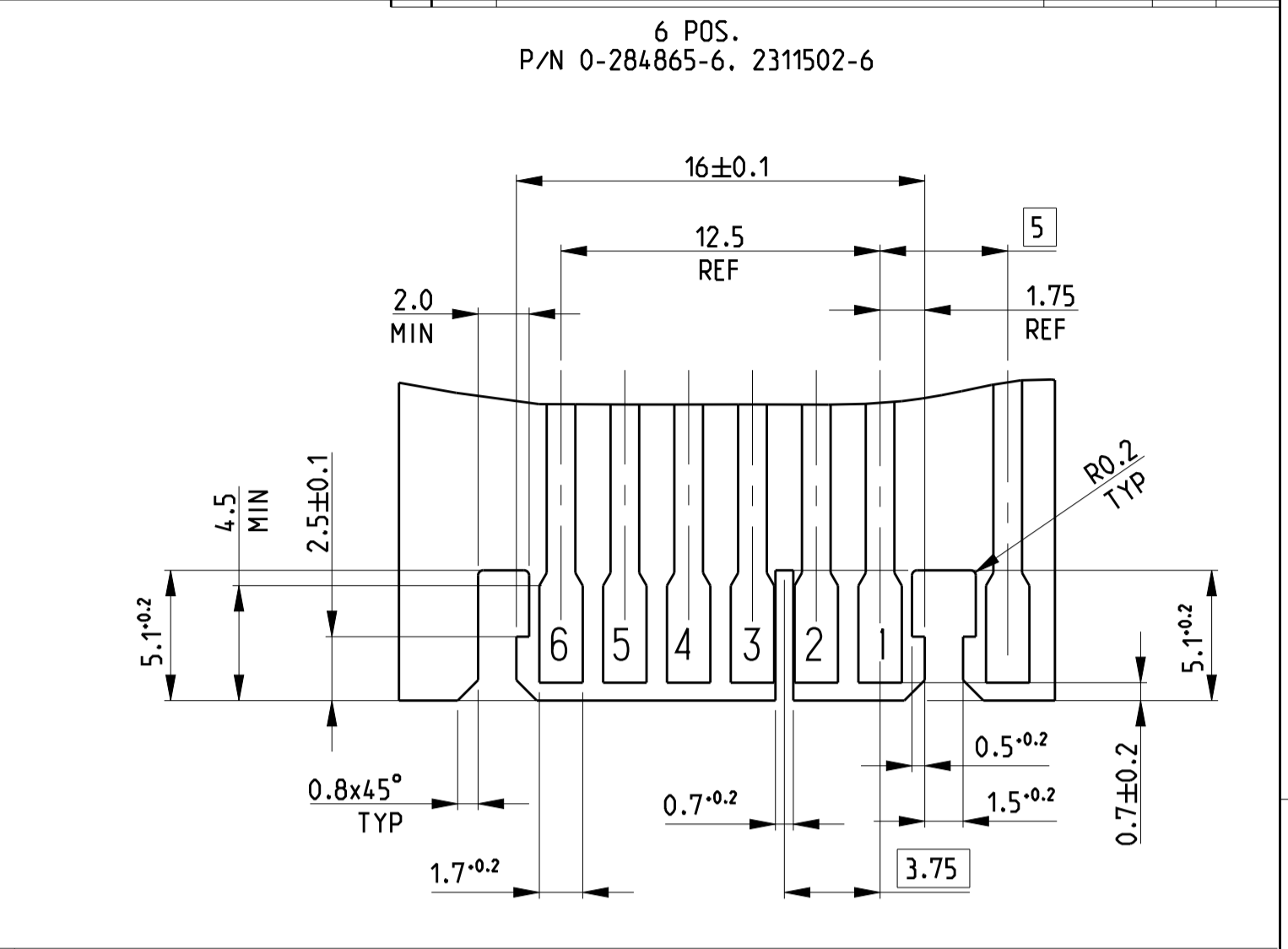
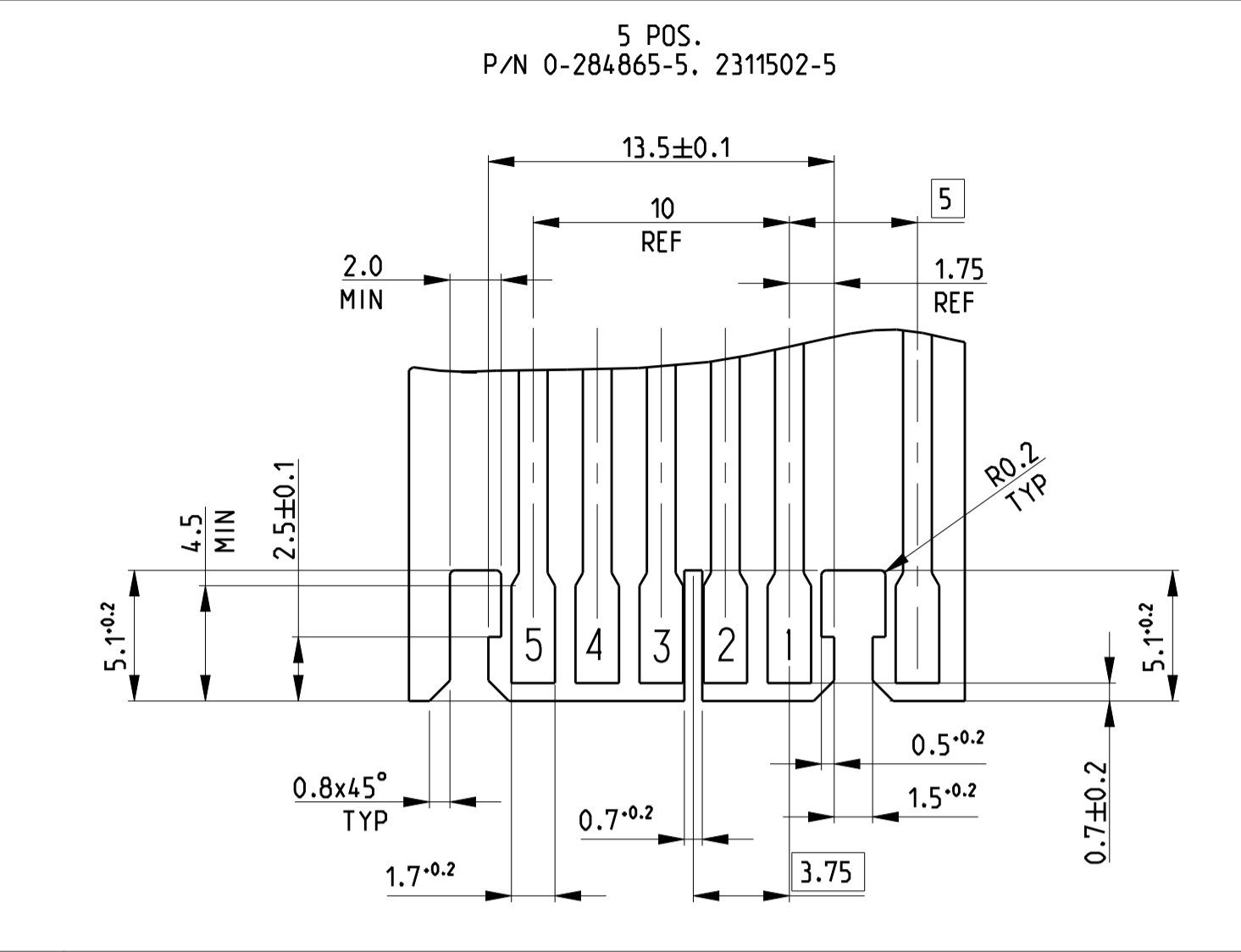
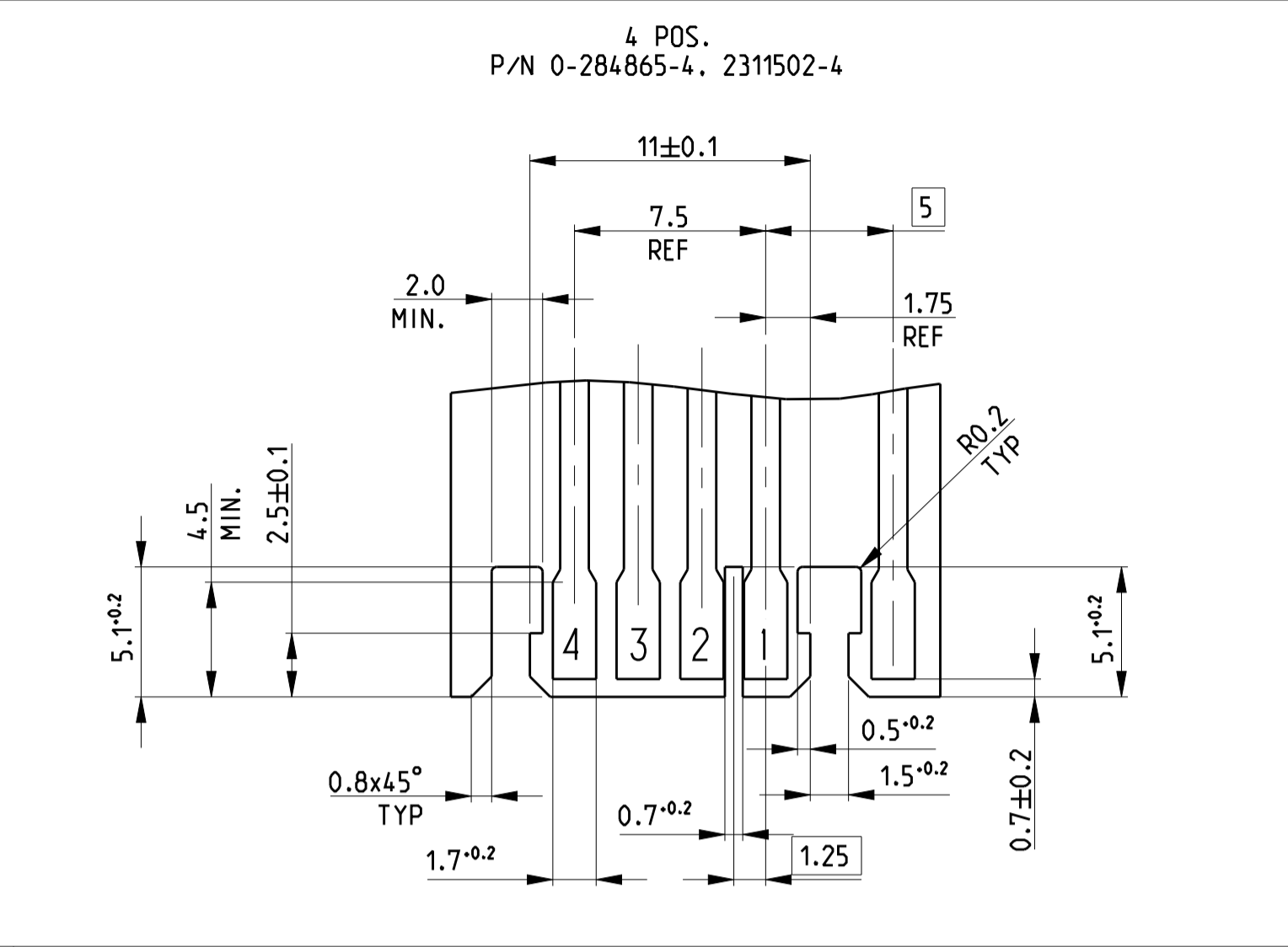
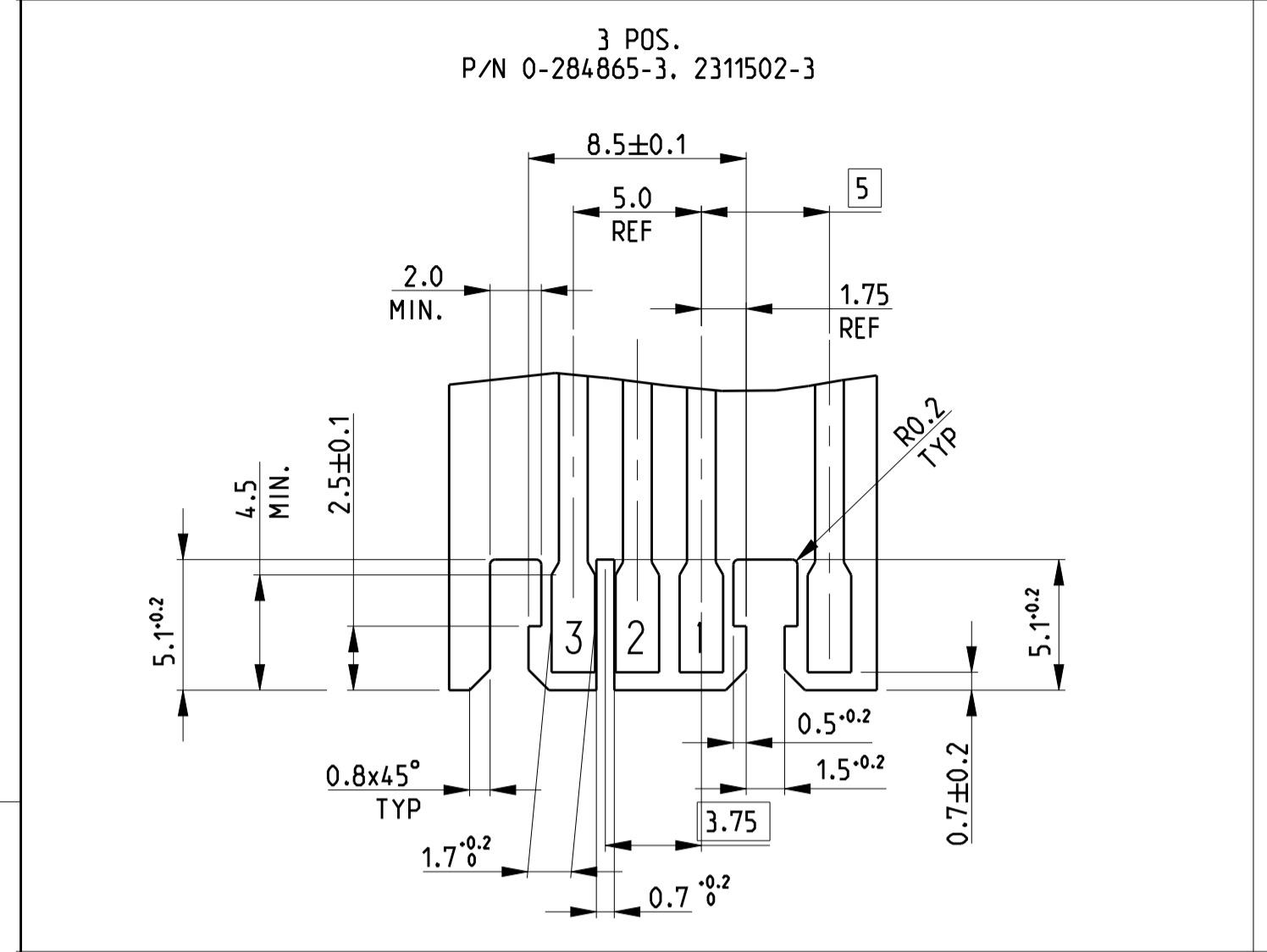
COLOUR CODE	POLARIZ. RIB POS.	HSG POS.	DIM.A	DIM.B	TE P/N	TE P/N	
BLACK	13/14	14	32.5	37.4	1-284865-4	2311503-4	
RED	11/12	12	27.5	32.4	2-284865-2	1-2311503-2	
BLACK	2/3				1-284865-2	2311503-2	
RED	9/10	10	22.5	27.4	2-284865-0	2-2311502-0	
BLACK	2/3				1-284865-0	1-2311502-0	
BLACK	2/3	9	20.0	24.9	0-284865-9	2311502-9	
RED	3/4				2-284865-8	1-2311502-8	
BLACK	2/3	8	17.5	22.4	0-284865-8	2311502-8	
-	5/6				1-284865-7		
BLACK	2/3	7	15.0	19.9	0-284865-7	2311502-7	
-	3/4				5-284865-6	4-2311502-6	
ORANGE	5/6				4-284865-6	⑪ 3-2311502-6	
OBSOLETE	BLUE	1/2	6	12.5	17.4	3-284865-6	-
RED	4/5				2-284865-6	1-2311502-6	
BLACK	2/3				0-284865-6	2311502-6	
GREY	1/2				3-284865-5	2-2311502-5	
RED	3/4	5	10.0	14.9	2-284865-5	1-2311502-5	
BLACK	2/3				0-284865-5	2311502-5	
RED	3/4				3-284865-4	1-2311502-4	
OBSOLETE	RED	N/A			2-284865-4	-	
BLACK	1/2	4	7.5	12.4	0-284865-4	2311502-4	
RED	1/2	3	5.0	9.9	2-284865-3	1-2311502-3	
BLACK	2/3				0-284865-3	2311502-3	

P/N 0-284865-4 AS SHOWN

-		-		THIS DRAWING IS A CONTROLLED DOCUMENT.		DWN R. FABRIS 03JUL2002		TE Connectivity	
SEE TABLE	PH. BRONZE, TIN PLATED	IDC RECEPTACLE CONTACT	2	DIMENSIONS: mm	TOLERANCES UNLESS OTHERWISE SPECIFIED:	APVD G. TURCO	NAME	DUOPLUG 2.5 FEMALE CONN., SIDE LOCKING KEYED (FULLY LOADED)	
Q.TY	MATERIAL	DESCRIPTION	ITEM	0 PLC ±0.2 1 PLC ±0.2 2 PLC ±0.2 3 PLC ±0.2 4 PLC ±0.2 ANGLES ±1°		PRODUCT SPEC 108-20238	SIZE	CAGE CODE	DRAWING NO
1				MATERIAL SEE TABLE		APPLICATION SPEC 116-18049-1	A1	00779	C=284865
REVISIONE DELL'ASSEMBLATO (REVISION OF EACH ASSY NO)				SEE TABLE		WEIGHT	RESTRICTED TO		Customer Drawing
ELENCO DEI COMPONENTI (PARTS LIST)						SCALE 10:1		SHEET 1 OF 4	

PCB LAYOUT -Soldering side-  
 (SCALE 4:1)

LOC	DIST	REV	DESCRIPTION	DATE	DRN	APVD
		1	SEE SHEET 1			



THIS DRAWING IS A CONTROLLED DOCUMENT. DRN R. FABRIS 03JUL2002  
 CHE -  
 DIMENSIONS: mm  
 TOLERANCES UNLESS OTHERWISE SPECIFIED:  
 0 PLC # # #  
 1 PLC # # #  
 2 PLC # # #  
 3 PLC # # #  
 4 PLC # # #  
 5 PLC # # #  
 ANGLES # # #  
 MATERIAL SEE TABLE  
 FINISH SEE TABLE

APVD E. TURCO  
 PRODUCT SPEC  
 108-20238  
 APPLICATION SPEC  
 116-18049-1  
 WEIGHT -  
 Customer Drawing

NAME  
 DUOPLUG 2.5 FEMALE CONN.,  
 SIDE LOCKING  
 KEYED (FULLY LOADED)

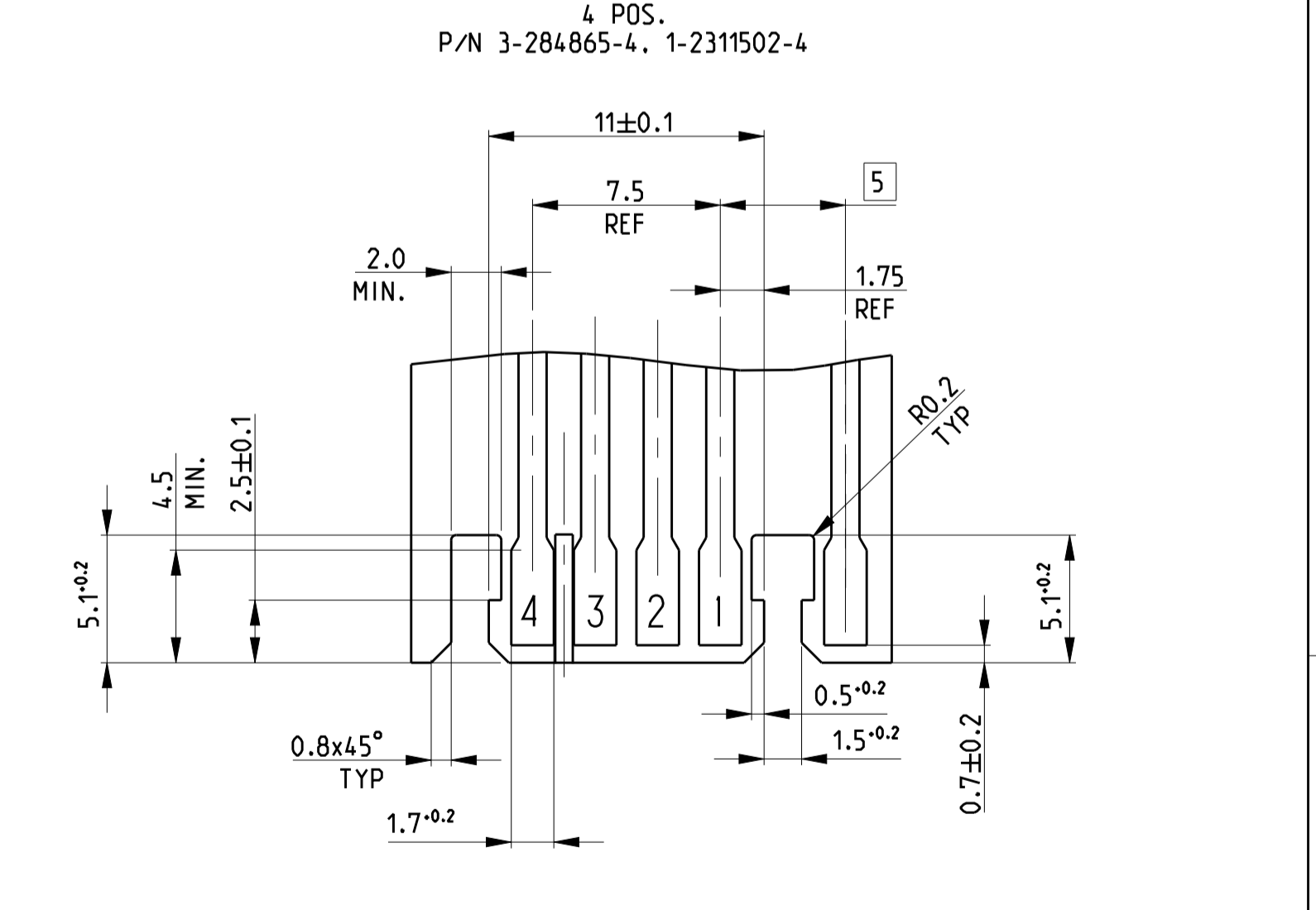
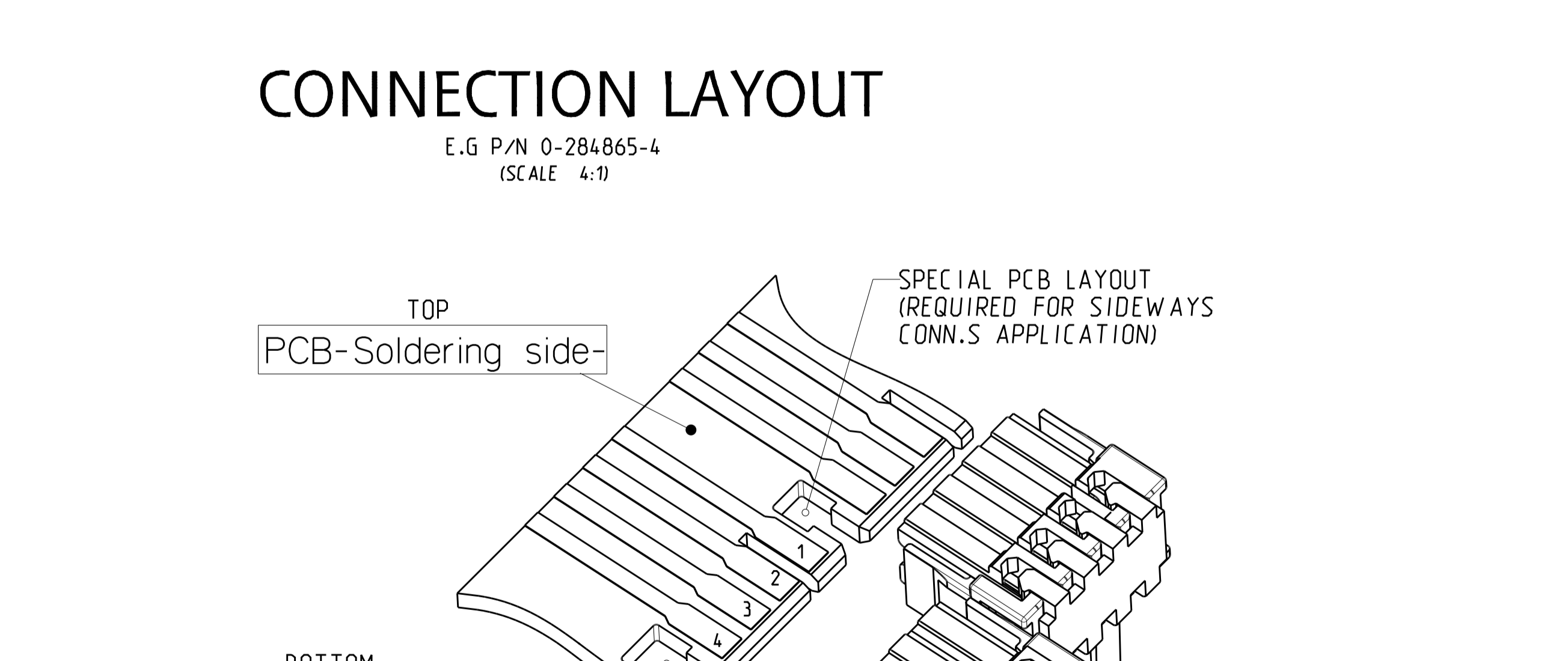
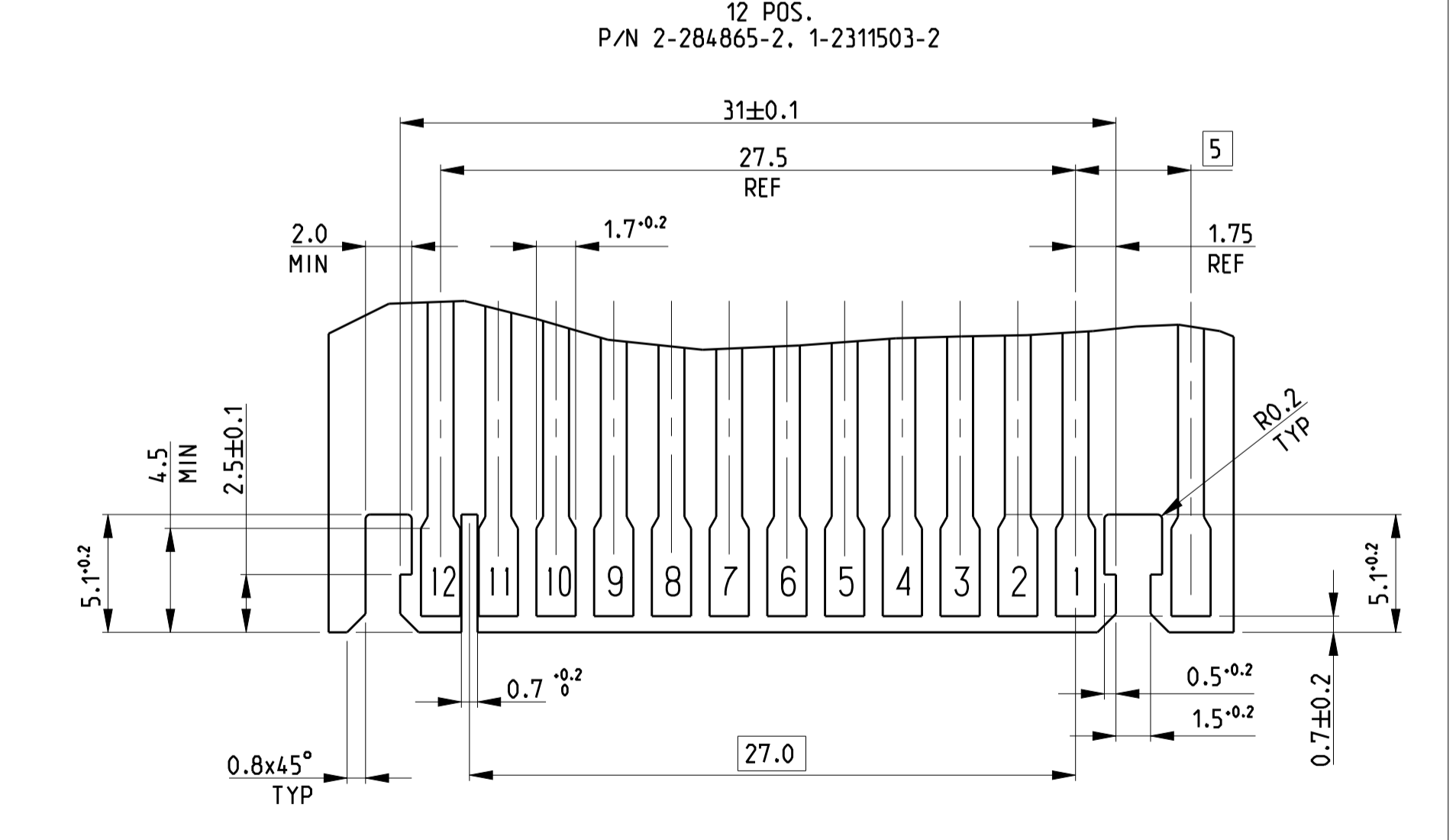
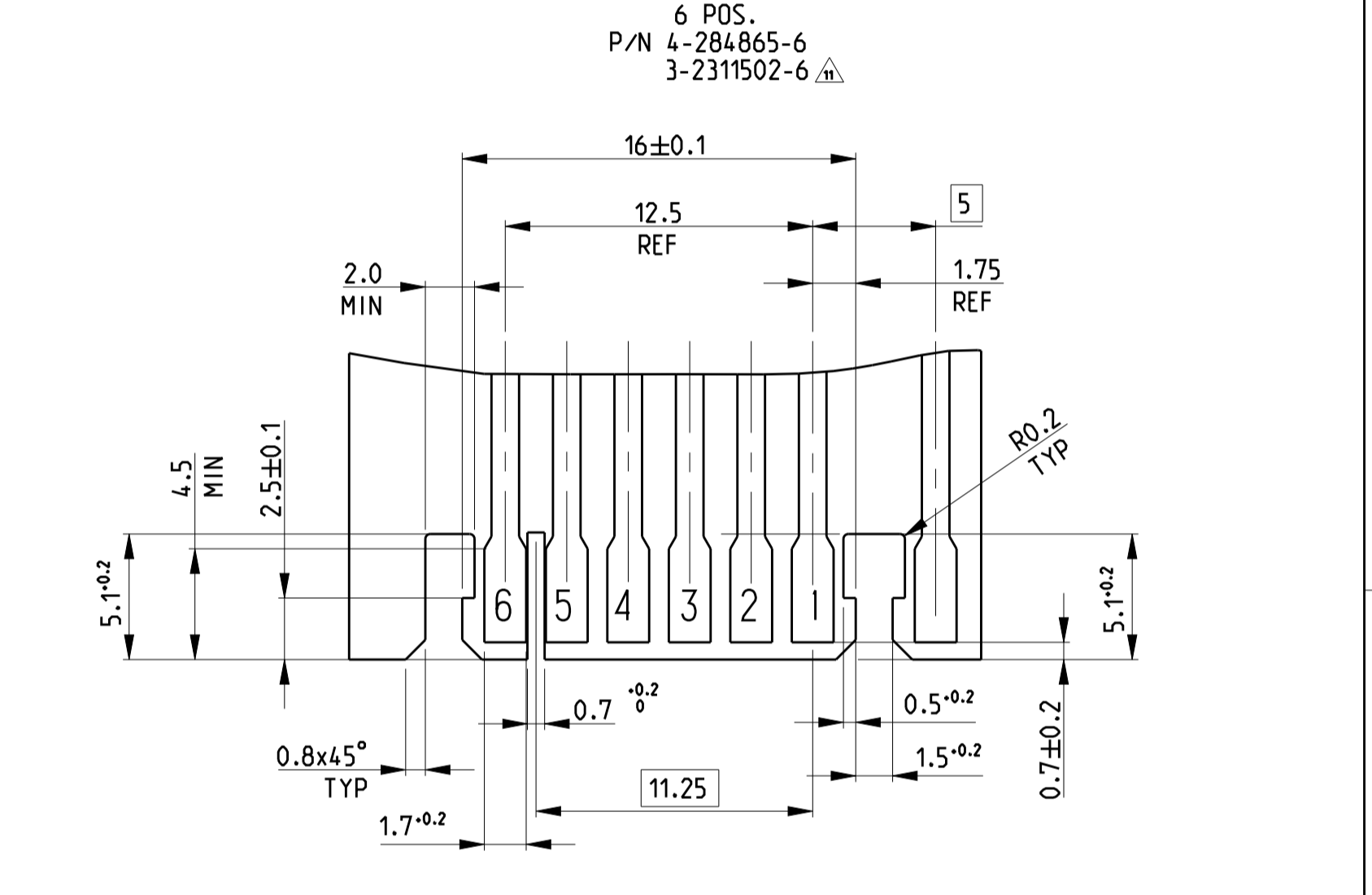
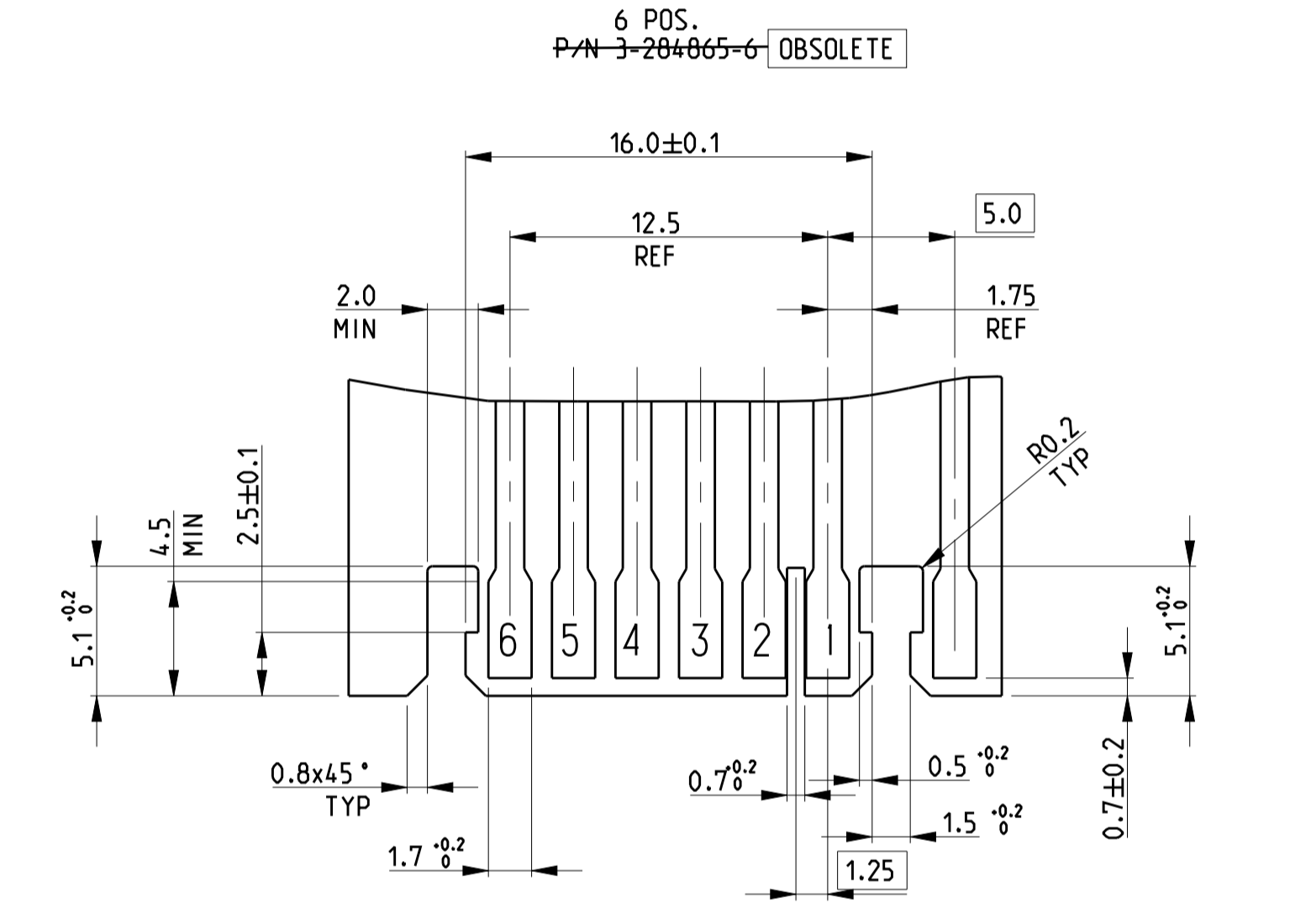
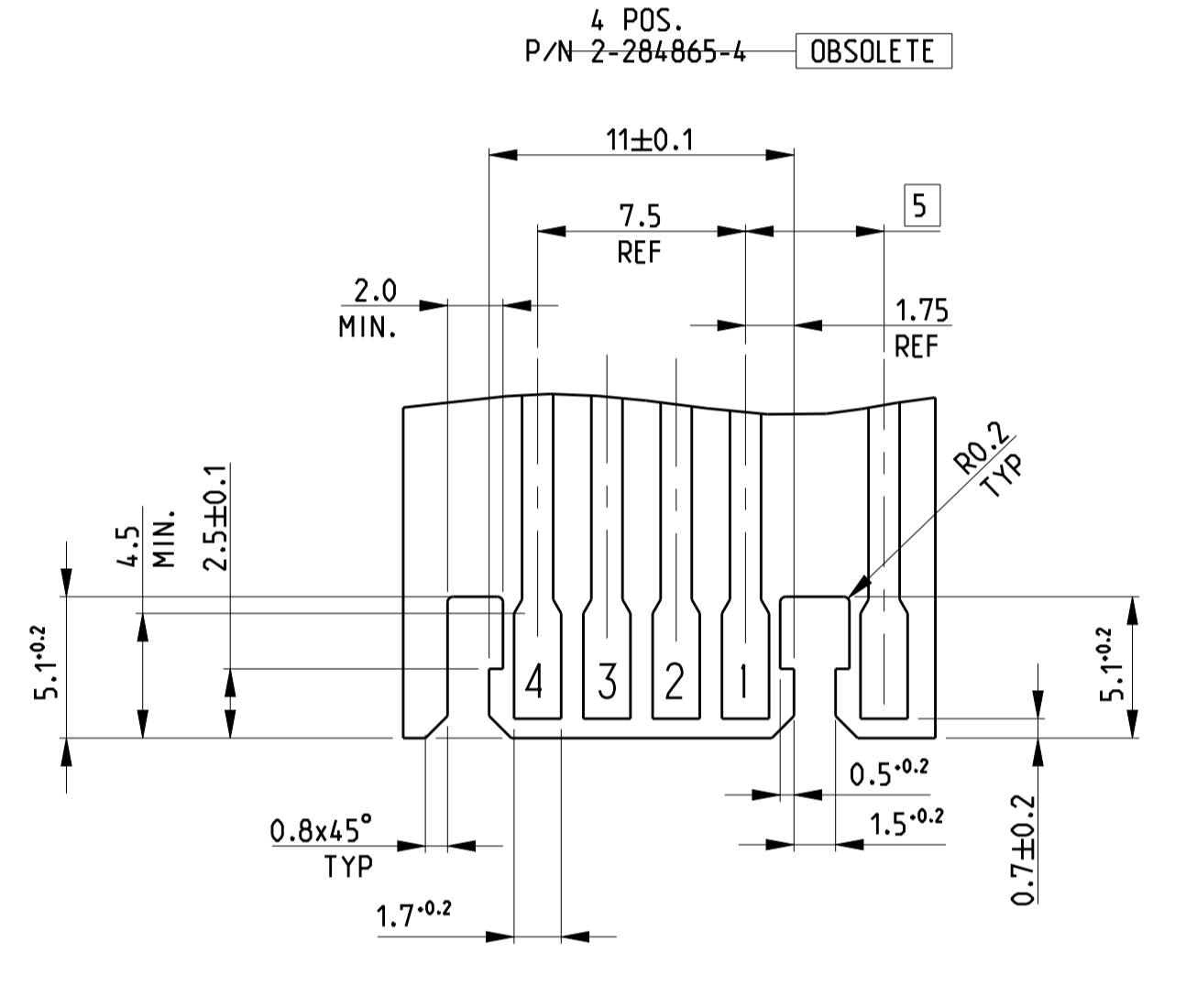
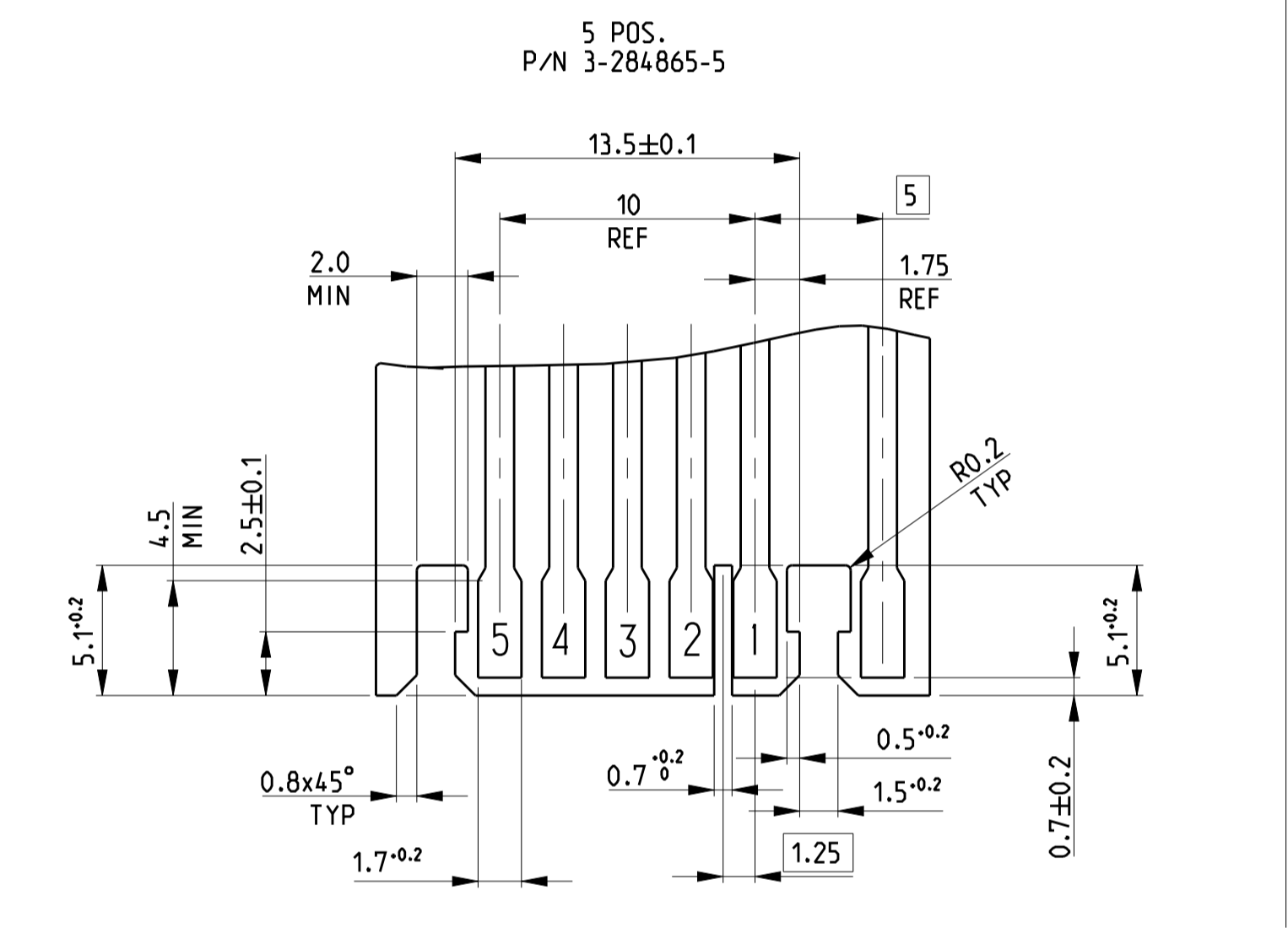
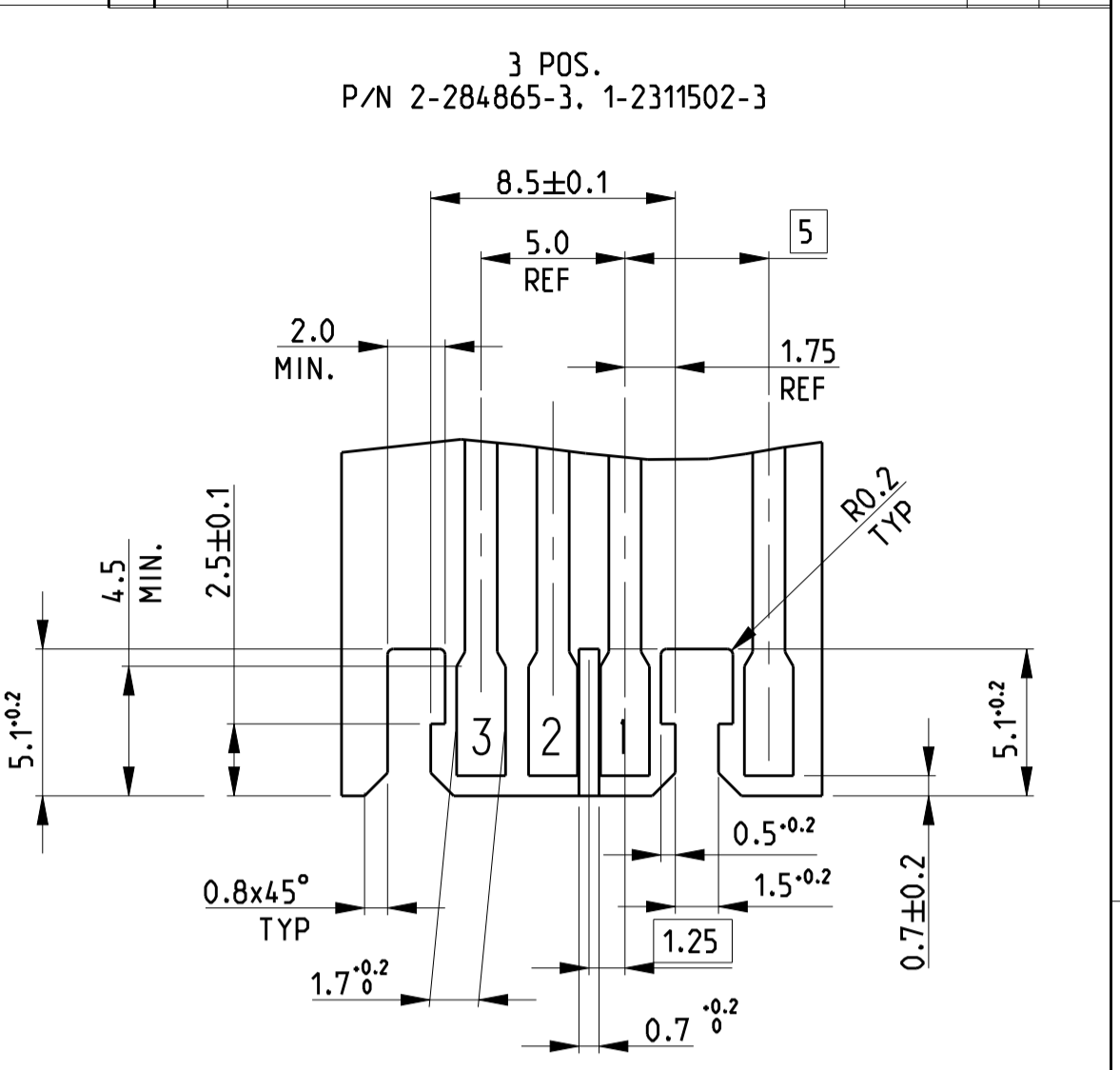
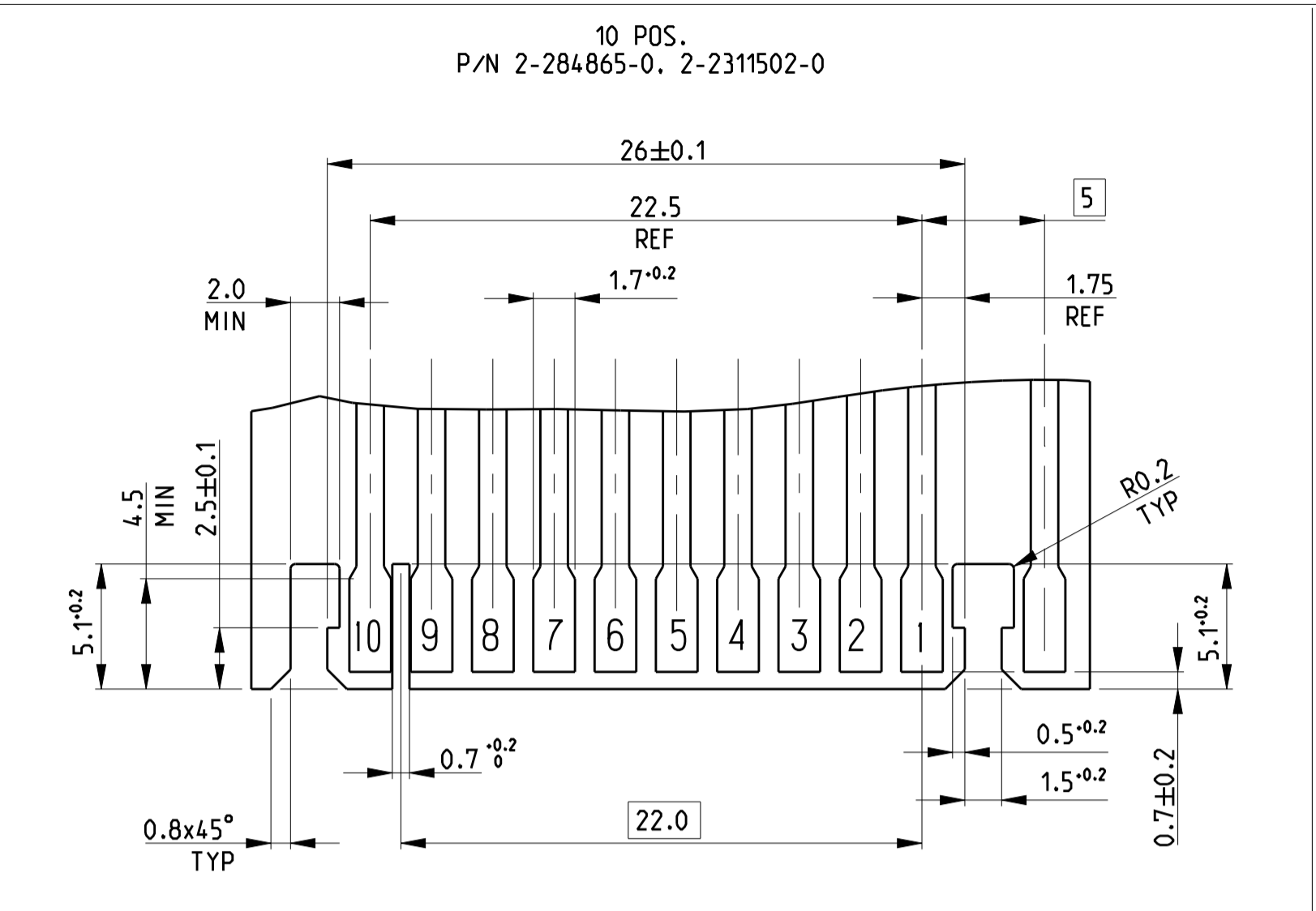
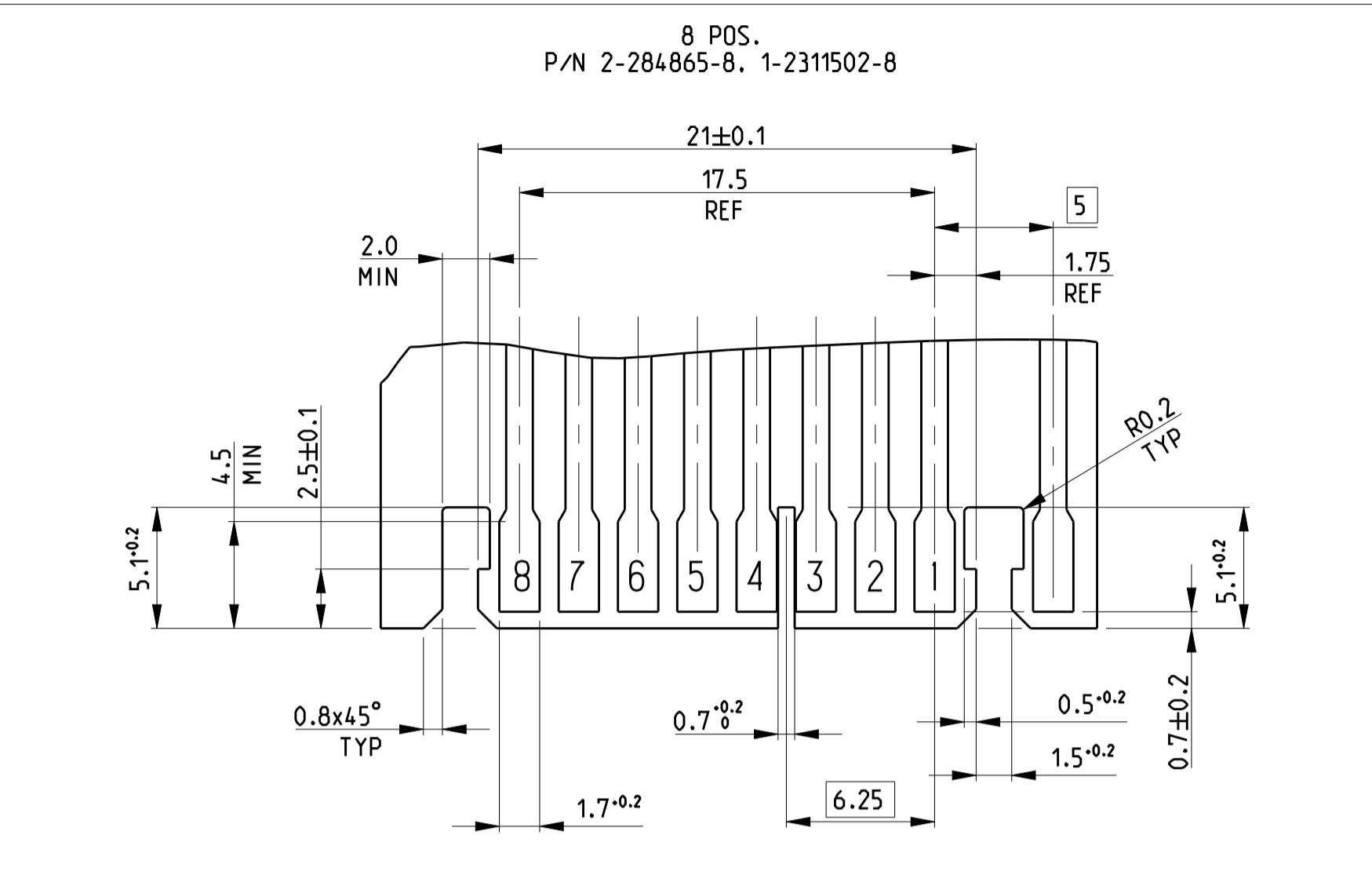
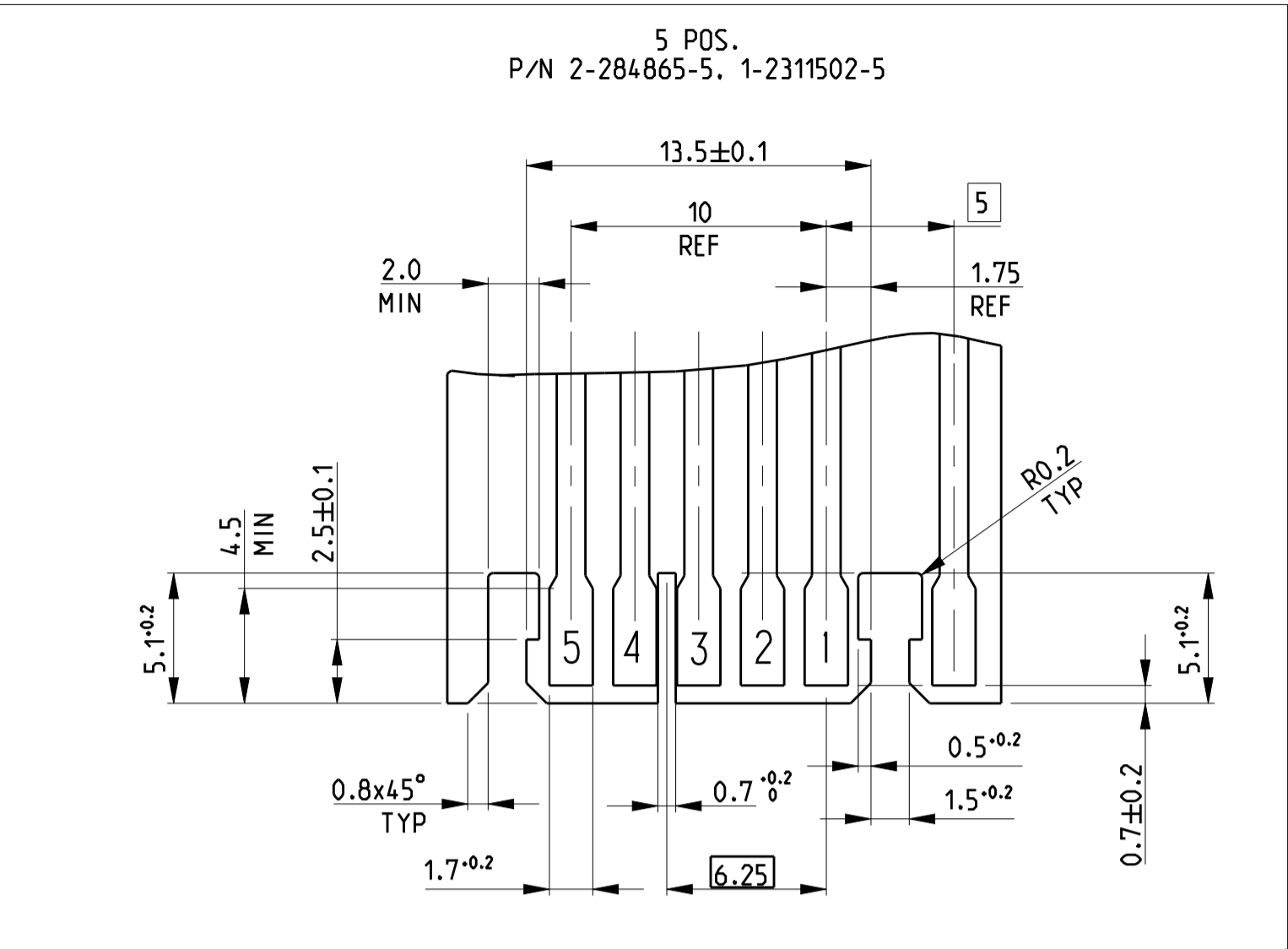
SIZE CAGE CODE DRAWING NO RESTRICTED TO  
 A1 00779 C=284865 -

SCALE 10:1 SHEET 2 OF 4 REV A23

LOC	DIST	REV	DESCRIPTION	DATE	OWN	APPD
		1	SEE SHEET 1			

### PCB LAYOUT -Soldering side-

(SCALE 4:1)

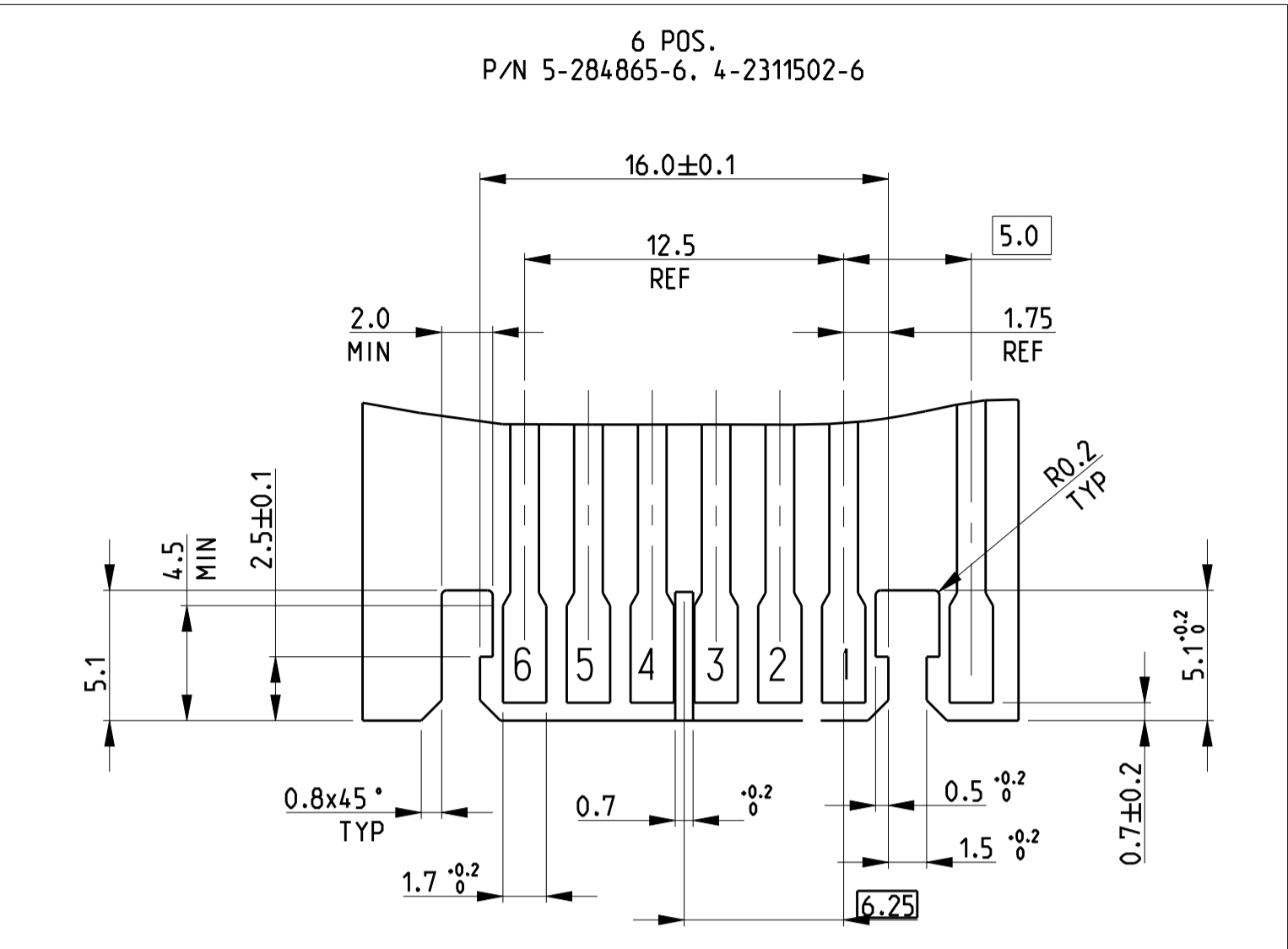


THIS DRAWING IS A CONTROLLED DOCUMENT.		OWN R. FABRIS 03JUL2002	TE Connectivity	
DIMENSIONS: mm		CHK E. TURCO		
TOLERANCES UNLESS OTHERWISE SPECIFIED:		APVD	PRODUCT SPEC 108-20238	
0 PLC # # # #		108-20238	APPLICATION SPEC	
1 PLC # # # #		116-18049-1	SIZE CAGE CODE DRAWING NO RESTRICTED TO	
2 PLC # # # #		116-18049-1	A1 00779 C=284865	
3 PLC # # # #		116-18049-1	WEIGHT	
4 PLC # # # #		116-18049-1	Customer Drawing	
ANGLES # # # #		116-18049-1	SCALE 10:1 SHEET 3 OF 4	
FINISH # # # #		116-18049-1	REV A23	

# PCB LAYOUT -Soldering side-

(SCALE 4:1)

LOC		DIST		REVISIONS			
		P	LTR	DESCRIPTION	DATE	DWN	APVD
		-		SEE SHEET 1	-	-	-



THIS DRAWING IS A CONTROLLED DOCUMENT.		DWN R. FABRIS	03JUL2002	TE Connectivity	
DIMENSIONS: mm		CHK -	APVD G. TURCO		
		TOLERANCES UNLESS OTHERWISE SPECIFIED: 0 PLC ± 1 PLC ± 2 PLC ± 3 PLC ± 4 PLC ± ANGLES ±° FINISH ±μm		PRODUCT SPEC 108-20238 APPLICATION SPEC 116-18049-1	SIZE CAGE CODE DRAWING NO A1 00779 C=284865
MATERIAL SEE TABLE		FINISH SEE TABLE		RESTRICTED TO -	SCALE 10:1 SHEET 4 OF 4 REV A23
Customer Drawing					