

TTC-6P-T3-24DC-I-P - Type 3 surge protection plug



1027591

<https://www.phoenixcontact.com/us/products/1027591>

Please be informed that the data shown in this PDF document is generated from our online catalog. Please find the complete data in the user documentation. Our general terms of use for downloads are valid.



Replacement plug for type 3 surge protection from the TERMITRAB complete T3 product series.
Nominal voltage 24 V.

Your advantages

- Space-saving and cost-saving with a narrow overall width of just 6 mm
- Continuous monitoring of protective devices, plus mechanical status indicator with optional remote signaling
- Finding the right product for all possible requirements in MCR applications is easy, thanks to the complete range of products with customized features
- Easy testing and documentation with CHECKMASTER 2 with pluggable protective modules
- The signal is not influenced during maintenance work, thanks to the impedance-neutral insertion and removal of protective plugs

Commercial data

Item number	1027591
Packing unit	1 pc
Minimum order quantity	1 pc
Sales key	CL01
Product key	CL14D1
Catalog page	Page 85 (C-4-2019)
GTIN	4055626522234
Weight per piece (including packing)	25.5 g
Weight per piece (excluding packing)	8.72 g
Customs tariff number	85363030
Country of origin	DE

TTC-6P-T3-24DC-I-P - Type 3 surge protection plug



1027591

<https://www.phoenixcontact.com/us/products/1027591>

Technical data

Notes

General

Note	
	CBM:
	2905743 CBM E4 24DC/0.5-10A NO-R
	2905744 CBM E8 24DC/0.5-10A NO-R
	CBMC:
	2906032 CBMC E4 24DC/1-10A NO
	2908716 CBMC E4 24DC/1-10A NO-C
	2910411 CBMC E4 24DC/1-10A IOL
	PTCB:
	2908262 PTCB E1 24DC/1-8A NO
	CB E1:
	2800907 CB E1 24DC/10A NO P
	2800914 CB E1 24DC/10A S-R P
	2800928 CB E1 24DC/10A S-C P
	2905805 CB E1 24DC/10A SI-R P
	2905812 CB E1 24DC/10A SI-C P

Product properties

Product type	Replacement plug
Product family	TERMITRAB complete
IEC power supply system	DC
Type	Male
Surge protection fault message	optical

Data management status

Article revision	03
------------------	----

Insulation characteristics

Overvoltage category	III
Pollution degree	2
IEC test classification	III
	T3
EN type	T3
Number of ports	One

Connection data

Connection method	pluggable
-------------------	-----------

Dimensions

TTC-6P-T3-24DC-I-P - Type 3 surge protection plug



1027591

<https://www.phoenixcontact.com/us/products/1027591>

Dimensional drawing	
Width	6.2 mm +0.1 mm
Height	39 mm
Depth	60.3 mm

Material specifications

Color	light gray (RAL 7035)
Flammability rating according to UL 94	V-0
CTI value of material	600
Insulating material	PBT
Housing material	PBT

Protective circuit

Mode of protection	(DC+) - (DC-)
	(DC+/DC-) - PE
Direction of action	1L-N & N-PE
Nominal voltage U_N	24 V DC
Maximum continuous voltage U_C	30 V DC
Residual current I_{PE}	$\leq 5 \mu A$
Nominal discharge current I_n (8/20) μs	1 kA
Combination wave U_{OC}	2 kV (2 Ω)
	2 kV (2 Ω)
Voltage protection level U_p (DC+) - (DC-)	≤ 0.09 kV ($U_{oc} = 2$ kV)
	≤ 0.2 kV ($U_{oc} = 6$ kV)
Voltage protection level U_p (DC+/DC-) - PE	≤ 0.7 kV
Short-circuit current rating I_{SCCR}	60 A DC (without additional backup fuse)
	220 A DC
Max. backup fuse with branch wiring	6 A (gG)
	10 A (see the note: CBM, CBMC, PTCB, CB E1)

Environmental and real-life conditions

Ambient conditions

Degree of protection	IP20
Ambient temperature (operation)	-40 °C ... 80 °C
Ambient temperature (storage/transport)	-40 °C ... 80 °C
Altitude	≤ 6000 m (amsl)
Permissible humidity (operation)	5 % ... 95 %
Shock (operation)	30g (Half-sine / 11 ms / 3x $\pm X$, $\pm Y$, $\pm Z$)
Vibration (operation)	5g (10 ... 150 Hz/20 cycles/axis/X, Y, Z)

TTC-6P-T3-24DC-I-P - Type 3 surge protection plug



1027591

<https://www.phoenixcontact.com/us/products/1027591>

Standards and regulations

Standards/specifications	IEC 61643-11
Note	2011

EN 61643-11

Standards/specifications	EN 61643-11
Note	2012

Mounting

Mounting type	on base element
---------------	-----------------

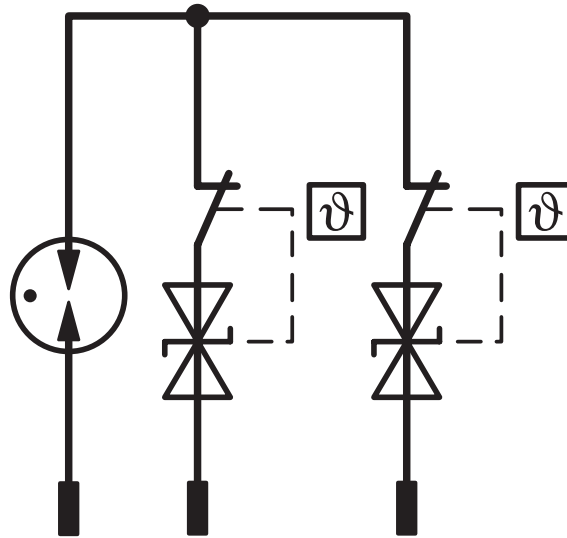
TTC-6P-T3-24DC-I-P - Type 3 surge protection plug

1027591

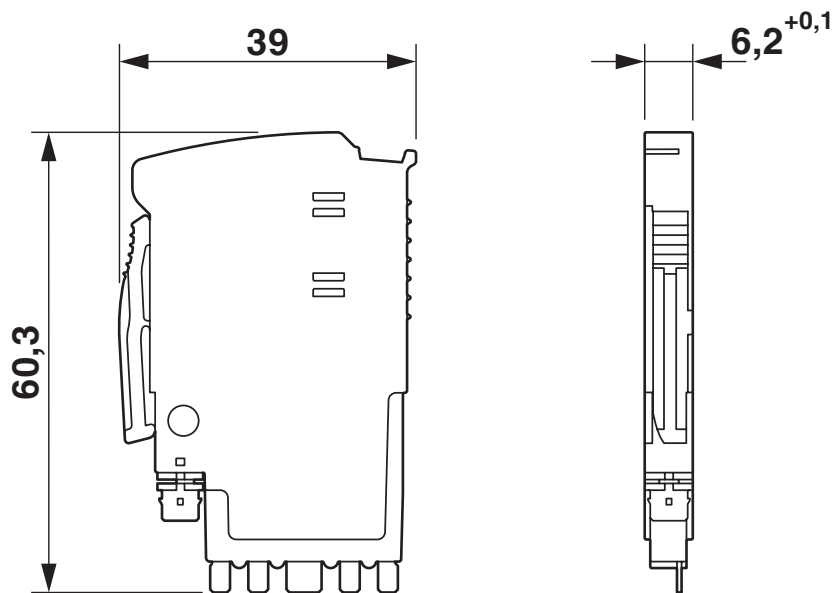
<https://www.phoenixcontact.com/us/products/1027591>

Drawings

Circuit diagram



Dimensional drawing



TTC-6P-T3-24DC-I-P - Type 3 surge protection plug



1027591

<https://www.phoenixcontact.com/us/products/1027591>

Approvals

To download certificates, visit the product detail page: <https://www.phoenixcontact.com/us/products/1027591>



UL Listed

Approval ID: FILE E 138168

UAE-RoHS

Approval ID: 22-06-16783



cUL Listed

Approval ID: FILE E 333250



UL Listed

Approval ID: FILE E 333250

cULus Listed

TTC-6P-T3-24DC-I-P - Type 3 surge protection plug



1027591

<https://www.phoenixcontact.com/us/products/1027591>

Classifications

ECLASS

ECLASS-11.0	27130890
ECLASS-13.0	27171292

ETIM

ETIM 9.0	EC002496
----------	----------

UNSPSC

UNSPSC 21.0	39121600
-------------	----------

TTC-6P-T3-24DC-I-P - Type 3 surge protection plug



1027591

<https://www.phoenixcontact.com/us/products/1027591>

Environmental product compliance

EU RoHS

Fulfills EU RoHS substance requirements	Yes
Exemption	7(a), 7(c)-I

China RoHS

Environment friendly use period (EFUP)	EFUP-50
	An article-related China RoHS declaration table can be found in the download area for the respective article under "Manufacturer declaration". For all articles with EFUP-E, no China RoHS declaration table issued and required.

EU REACH SVHC

REACH candidate substance (CAS No.)	Lead(CAS: 7439-92-1)
SCIP	40c47b43-2a3b-412c-a612-4011ceb862a0

Phoenix Contact 2024 © - all rights reserved

<https://www.phoenixcontact.com>

Phoenix Contact USA
586 Fulling Mill Road
Middletown, PA 17057, United States
(+717) 944-1300
info@phoenixcon.com