

SEQUENTMICROSYSTEMS.COM

LCD-V1\_0

SKU : SM-A-012

CONNECTOR

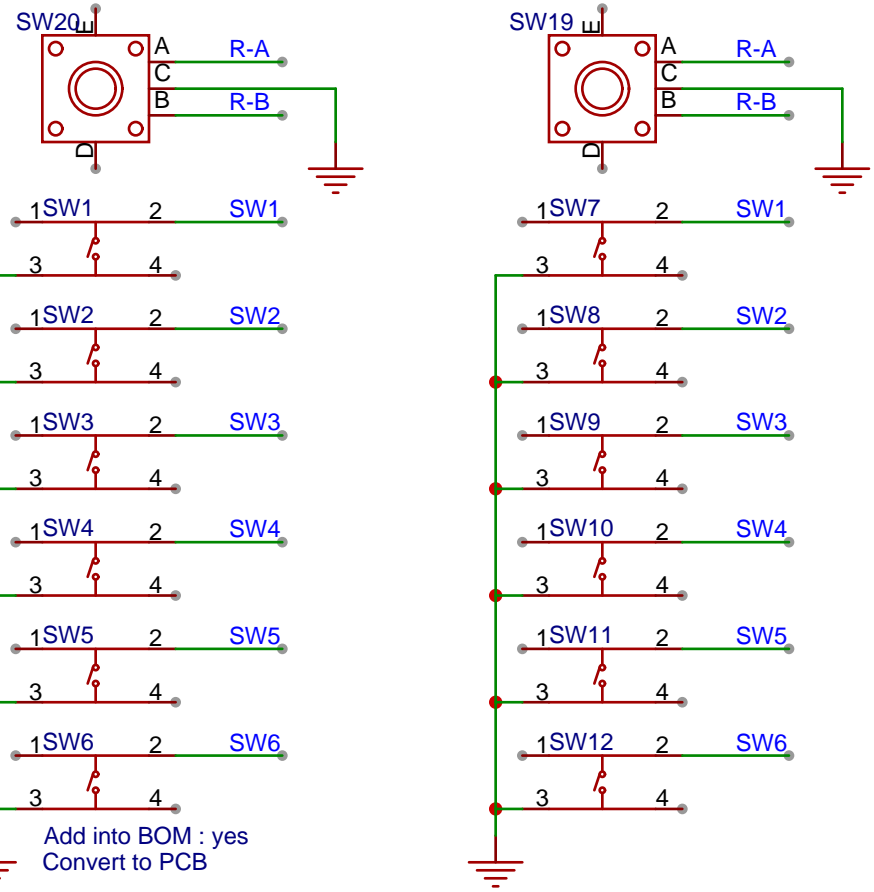
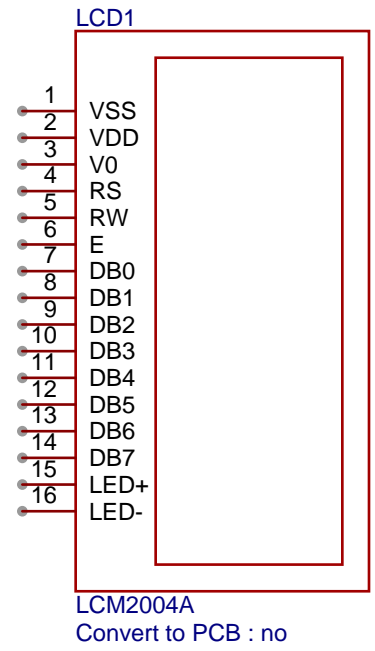
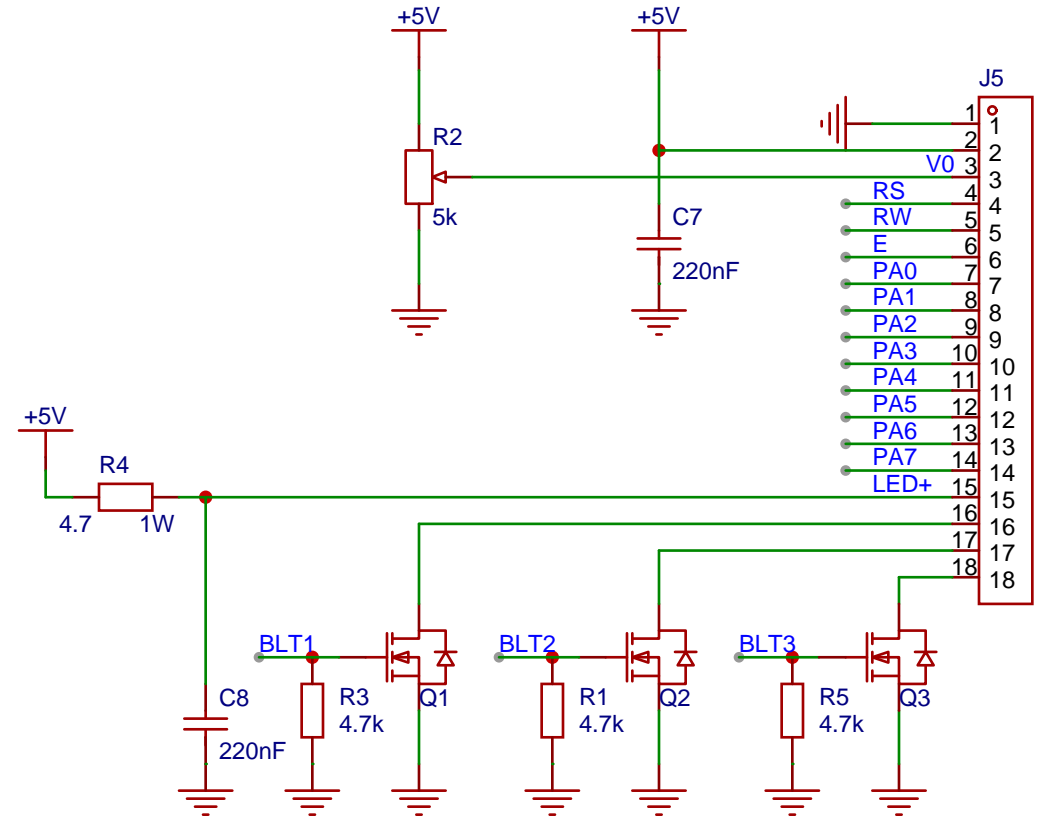
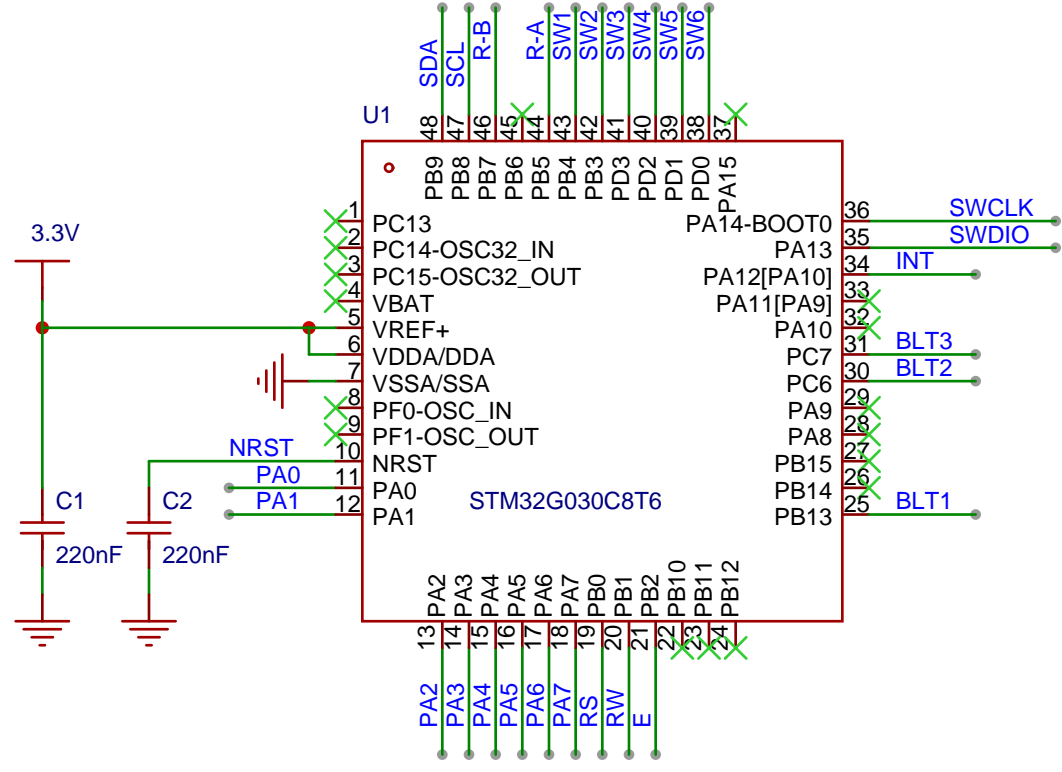
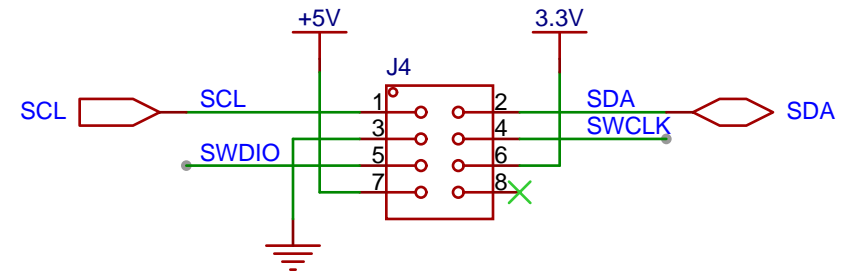
VER : 1\_0

Created: 2023-02-17

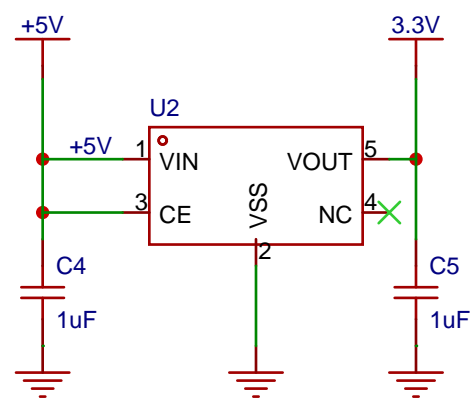
Updated: 2023-02-17

UPC : 4782912926642

PAGE 1 OF 4



<b>SEQUENTMICROSYSTEMS.COM</b>	
LCD-V1_0	SKU : SM-A-012
PROCESSOR	VER : 1_0
Created: 2023-02-17	Updated: 2023-02-17
UPC : 4782912926642	PAGE 2 OF 4



SEQUENTMICROSYSTEMS.COM

LCD-V1\_0

SKU : SM-A-012

POWER SUPPLY

VER : 1\_0

Created: 2023-02-17

Updated: 2023-02-17

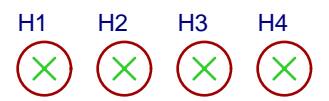
UPC : 4782912926642

PAGE 3 OF 4

RASPBERRY PI 4  
J26



MOUNTING HOLES

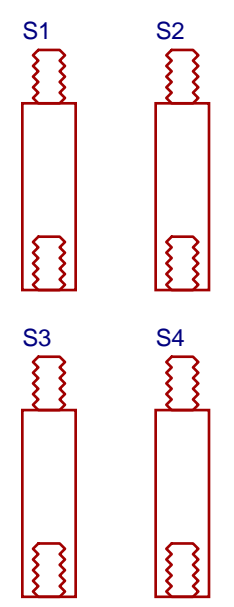


HOLE COORDS  
138,138  
2421,138  
138,2067  
2421,2067

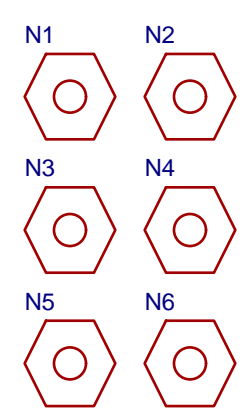


HOLES 5-8 HAVE STANDOFFS.  
CONVERT TO PCB ONLY ONE SET

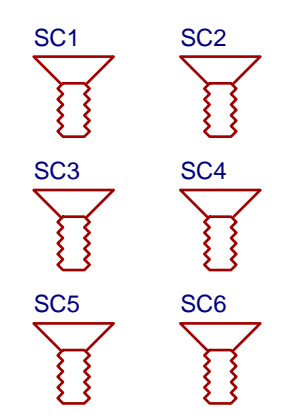
19mm STANDOFFS



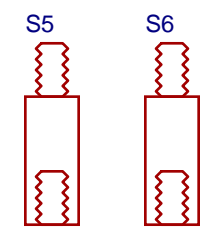
2.5MM NUTS



2.5MM X 5MM SCREWS



11mm STANDOFFS



<b>SEQUENTMICROSYSTEMS.COM</b>	
LCD-V1_0	SKU : SM-A-012
ACCESSORIES	VER : 1_0
Created: 2023-02-17	Updated: 2023-02-25
UPC : 4782912926642	PAGE 4 OF 4