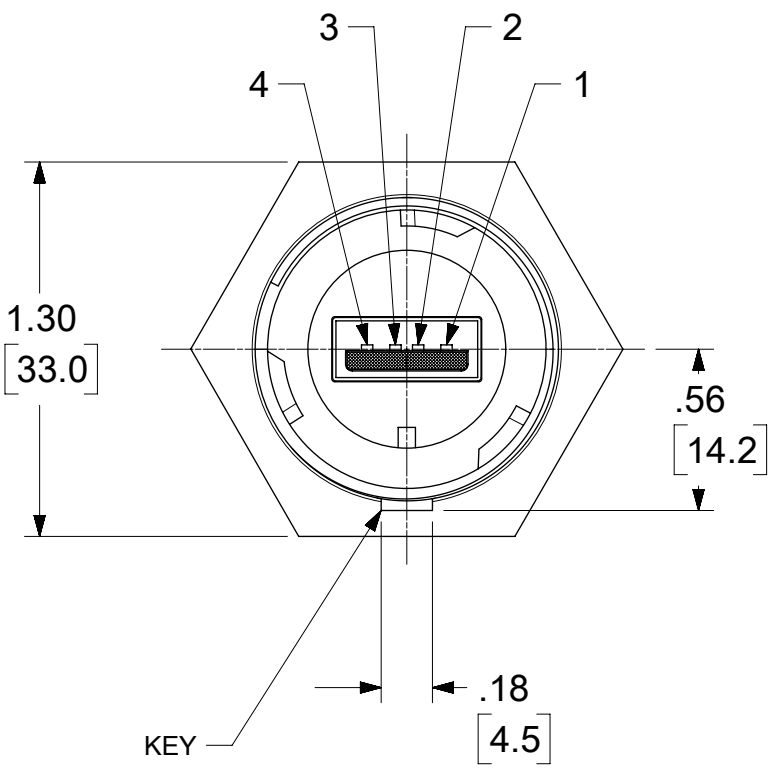
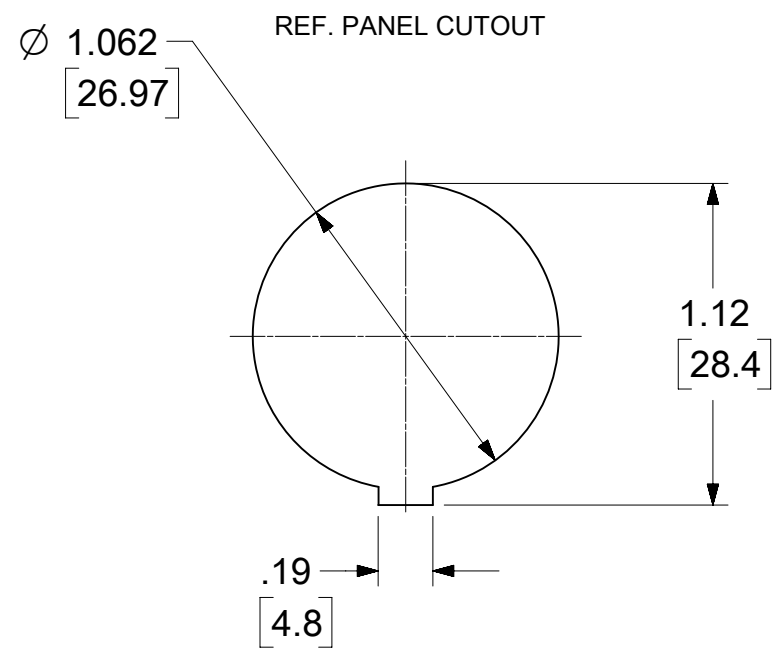
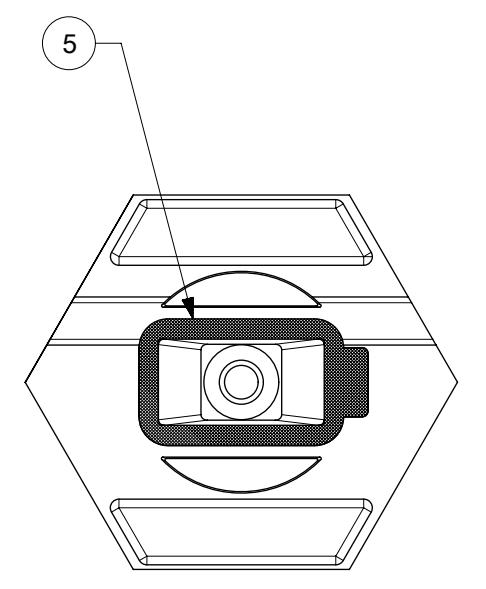
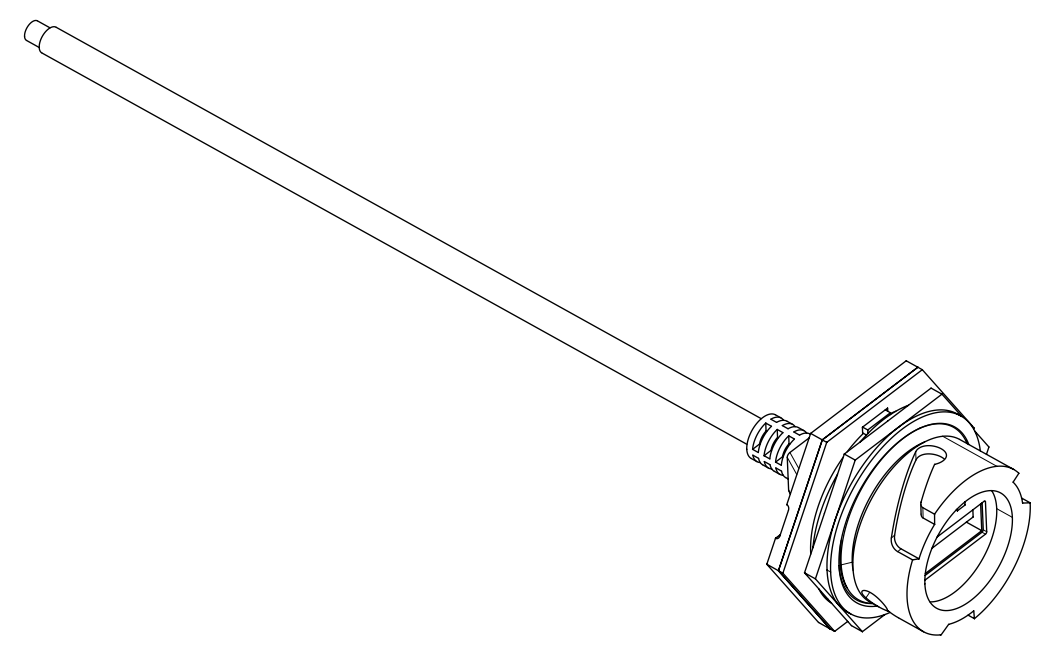
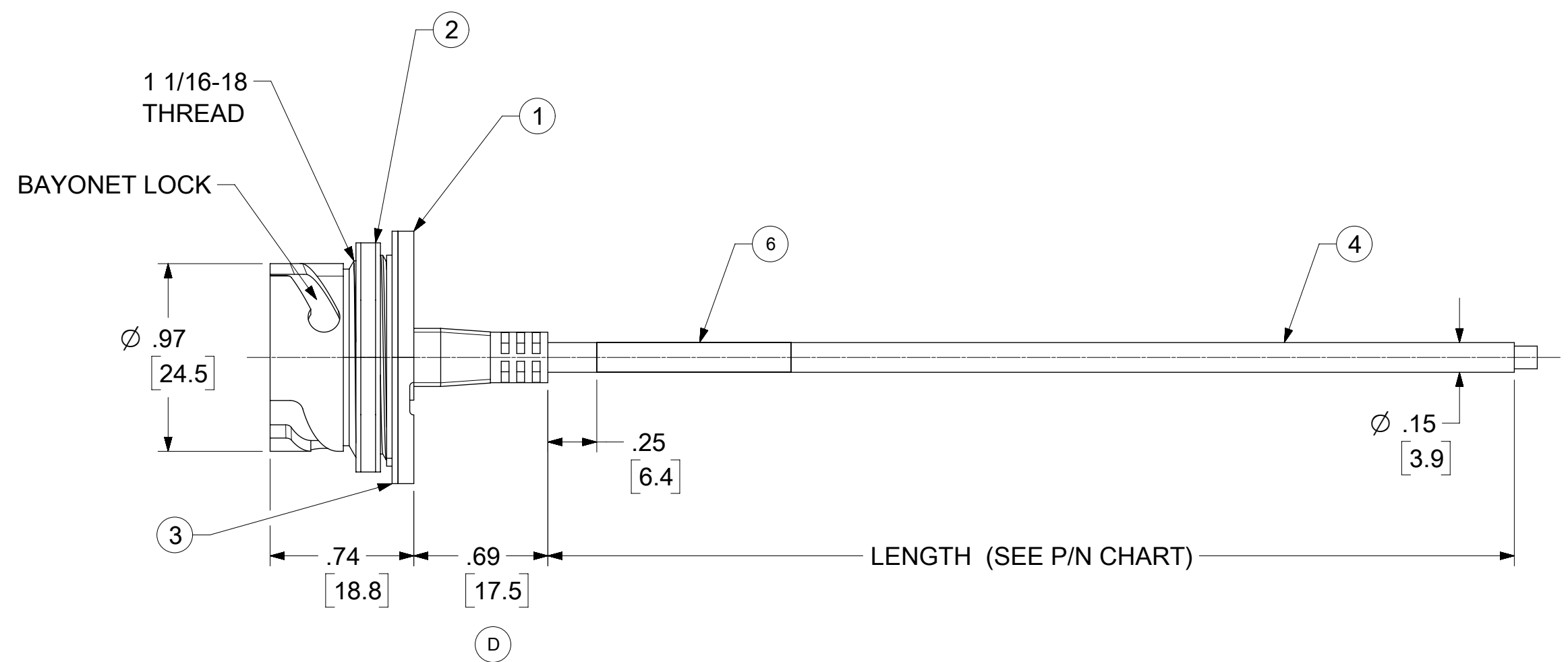


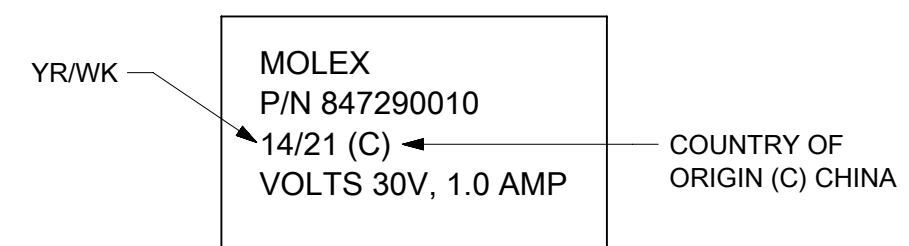
PART NO.	LENGTH
847290010	6.00 IN +.47/-0 (152.0mm +12/-0)



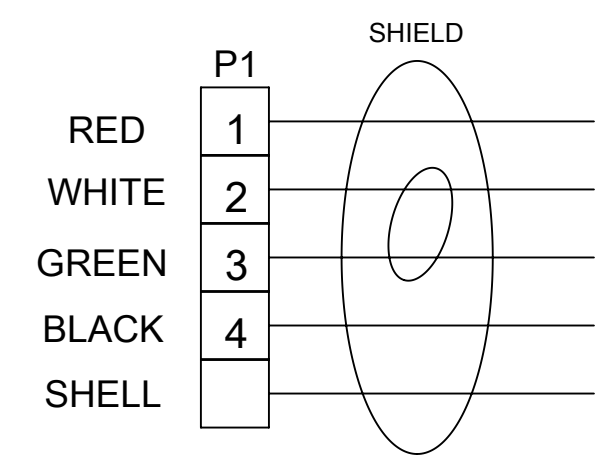
RECEPTACLE FACE VIEW  
SHOWN WITHOUT PANEL NUT  
AND GASKET



- NOTES:
1. MATERIAL: AS NOTED
  2. FINISHES: AS NOTED
  3. PRODUCT SPEC: PS-84727-002
  4. ELECTRICAL SPECS:  
VOLTAGE RATING: 30 VAC  
CURRENT RATING: 1.0V
  5. ENVIRONMENTAL: IP67 (RECEPTACLE END, WHEN MATED)
  6. OPERATING TEMP: -40°C TO +80°C
  7. PANEL NUT TORQUE: 24 IN LBS.
  8. PANEL THICKNESS: .10 MAX
  9. CABLE MATERIAL: PVC JACKET, BLACK  
USB SHELL: PHOS-BRONZE, NICKEL PLATED  
CONTACTS: PHOS-BRONZE, GOLD PLATED WIRE GAGE: 28
  10. DIMS SHOWN ARE FOR REFERENCE UNLESS NOTED OTHERWISE



(D) LABEL DETAIL



WIRING DIAGRAM

ITEM	DESCRIPTION	MATERIAL	FINISH
6	WRAP LABEL	VINYL	WHITE
5	POTTING COMPOUND	EPOXY	BLACK
4	USB-A CABLE SUB-ASSY. 28AWG, SHIELDED	AS NOTED	AS NOTED
3	PANEL GASKET	NEOPRENE	BLACK
2	LOCKNUT	NYLON, PA66 UL 94 HB	BLACK
1	RECEPTACLE HOUSING	PBT, UL 94V-0	BLACK

SYMBOLS		THIS DRAWING CONTAINS INFORMATION THAT IS PROPRIETARY TO MOLEX ELECTRONIC TECHNOLOGIES, LLC AND SHOULD NOT BE USED WITHOUT WRITTEN PERMISSION	
▽ = 0	HYBRID	SCALE	CURRENT REV DESC: REV'D PER SUPPLIER
▽ = 0	GENERAL TOLERANCES (UNLESS SPECIFIED)	1.5:1	
▽ = 0		MM	INCH
▽ = 0	4 PLACES ±		
▽ = 0	3 PLACES ±		
▽ = 0	2 PLACES ±	± 0.01	
▽ = 0	1 PLACE ±	± 0.3	
▽ = 0	0 PLACES ±		
▽ = 0	ANGULAR TOL ±	± 0.5 °	
▽ = 0	DRAFT WHERE APPLICABLE MUST REMAIN WITHIN DIMENSIONS	THIRD ANGLE PROJECTION	DRAWING SERIES
			C-SIZE 84729
EC NO: 613957		2019/03/07	
DRWN: R.STONE		2019/03/19	
CHK'D: MZIELINSKI		2019/03/26	
APPR: BWOODMAN		INITIAL REVISION:	
DRWN: R.STONE		2007/02/15	
APPR: J. MACNEIL		2007/02/20	
DOCUMENT NUMBER		DOC TYPE   DOC PART   REVISION	
SD-84729-010		PSD 001 D	
MATERIAL NUMBER		CUSTOMER	
SEE P/N CHART		GENERAL MARKET	
SHEET NUMBER		1 OF 1	