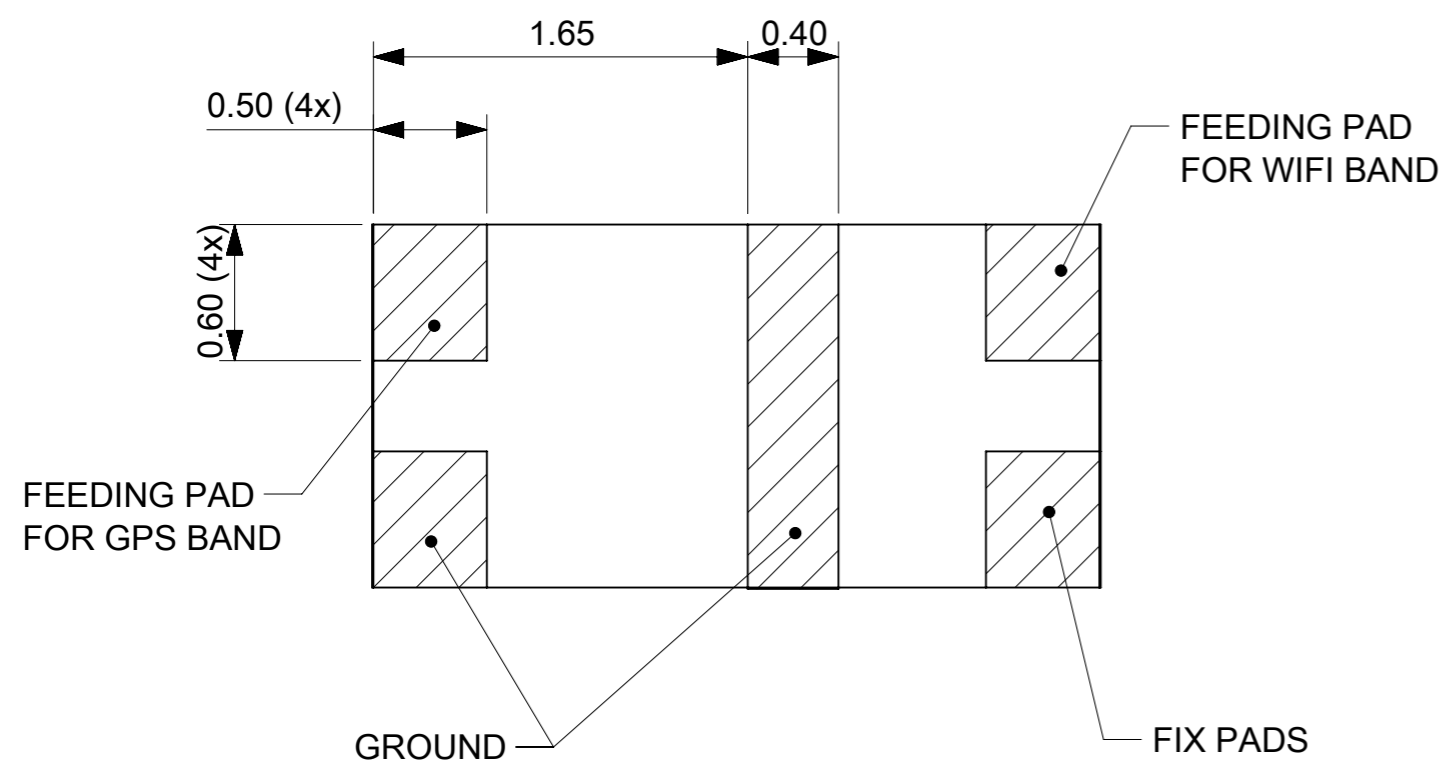
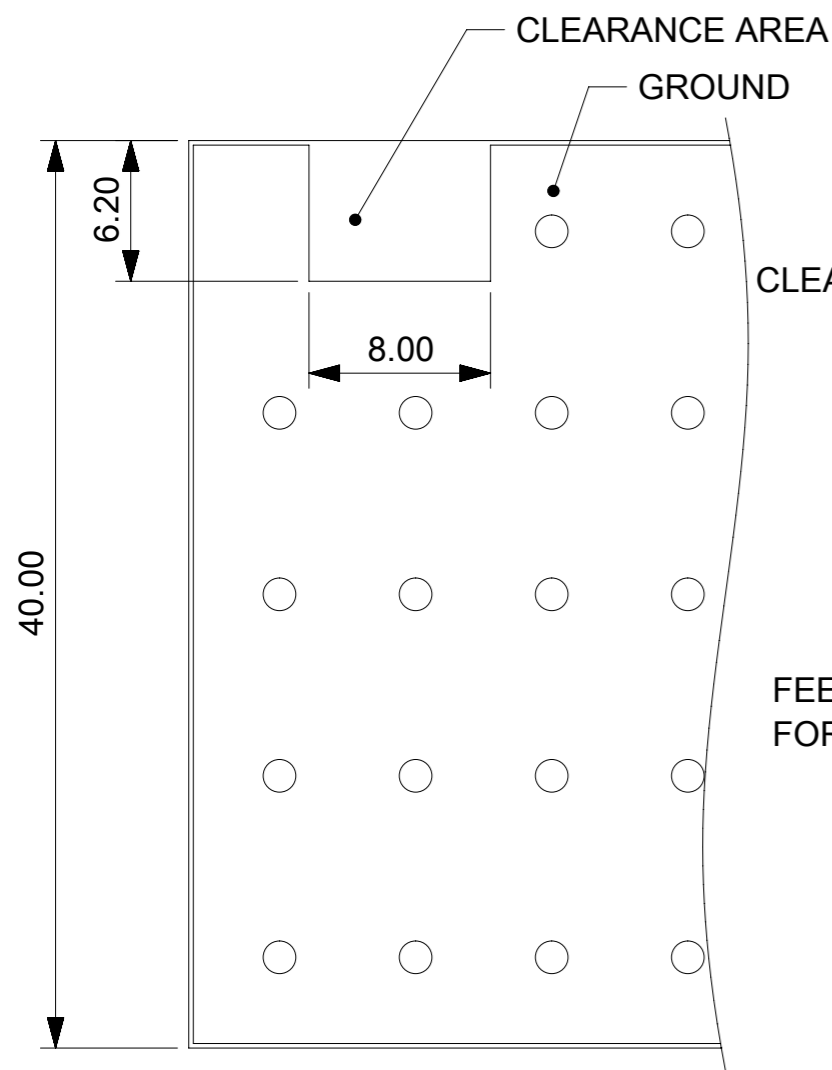


3D VIEW

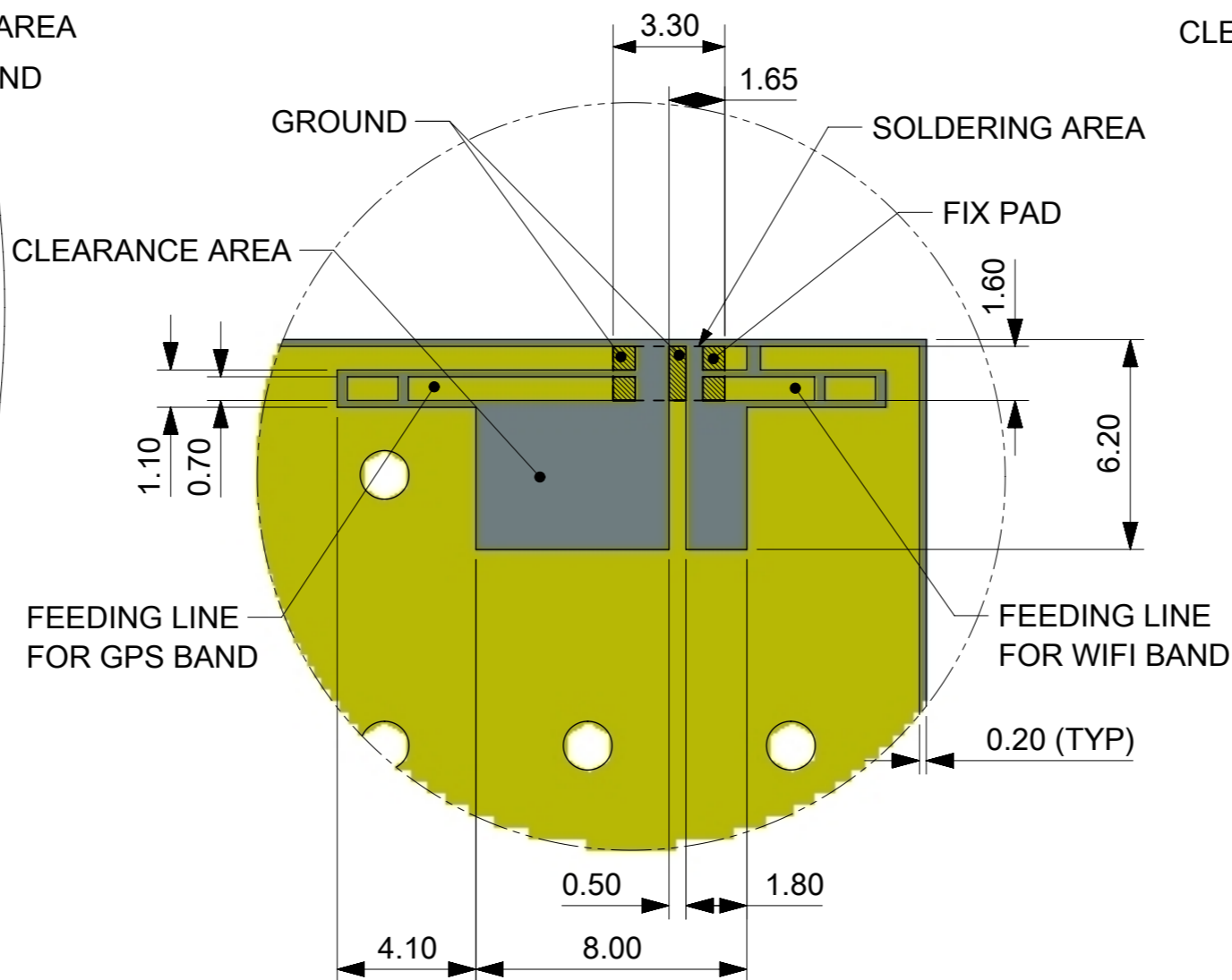


NOTES:
 BODY MATERIAL: CERAMIC
 PATTERN: Ag PLATED THINCKNESS 4-11um
 APPLICATION SPEC. REFER TO AS OF 2030070001
 PRODUCT SPEC. REFER TO PS OF 2030070001
 PAKAGE SPEC. REFER TO PK OF 2030070001

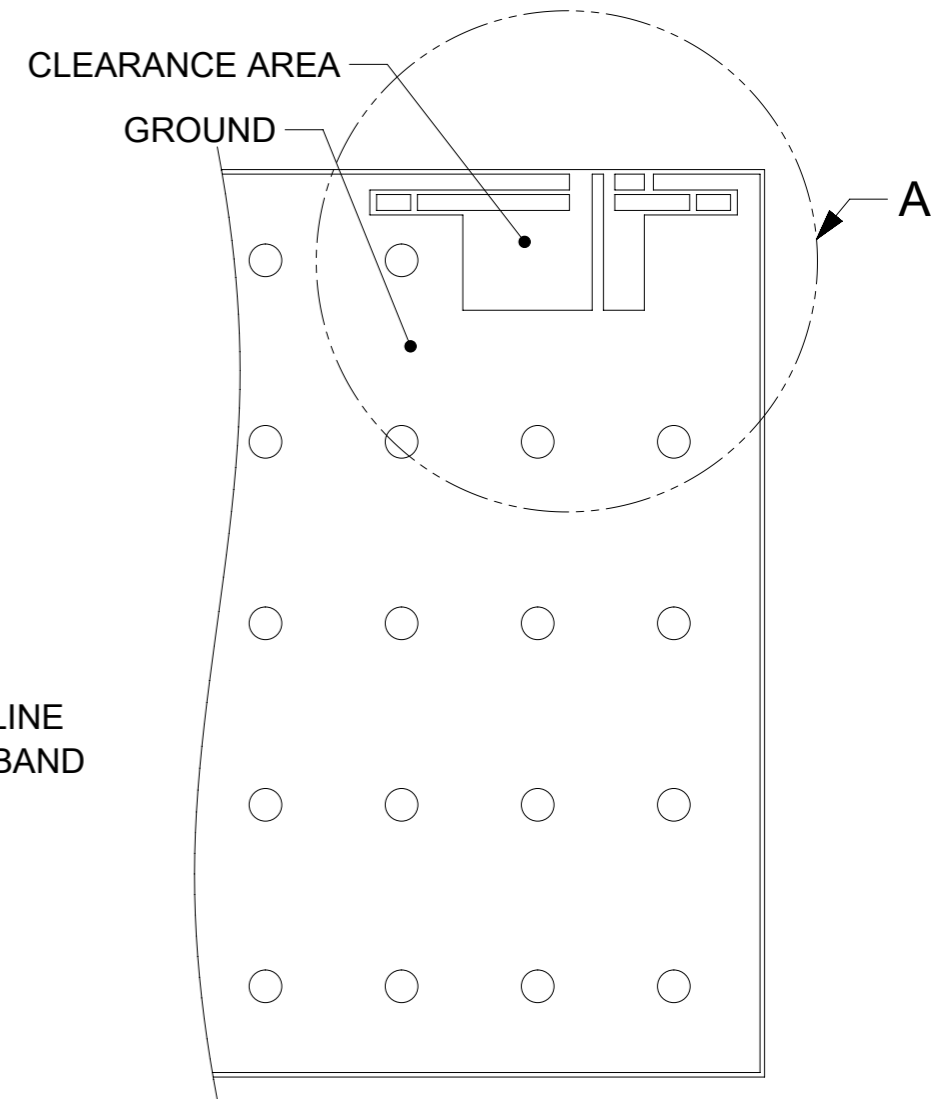
| | | | | | | | | | |
|---|----------------|---------------------------------------|------------------------|-----------------|--------------------------|--|----------|----------|--------------|
| THIS DRAWING CONTAINS INFORMATION THAT IS PROPRIETARY TO MOLEX ELECTRONIC TECHNOLOGIES, LLC AND SHOULD NOT BE USED WITHOUT WRITTEN PERMISSION | | | | | | | | | |
| EC NO: 120670 DRWN: CXU11 CHK'D: ZLRAO APPR: XJSONG | 2017/08/28 | GENERAL TOLERANCES (UNLESS SPECIFIED) | | DIMENSION UNITS | SCALE | | | | |
| | 2017/09/06 | ANGULAR TOL ± 1.0 ° | | MM | 30:1 | | | | |
| | 2017/09/06 | 4 PLACES ± | DRWN BY | DATE | | SD FOR GNSS/WIFI COMBO CERAMIC ANTENNA | | | |
| | | 3 PLACES ± 0.05 | CXU11 | 2017/08/28 | | | | | |
| | | 2 PLACES ± 0.1 | CHK'D BY | DATE | | | | | |
| | 1 PLACE ± 0.3 | ZLRAO | 2017/09/06 | | PRODUCT CUSTOMER DRAWING | | | | |
| | 0 PLACES ± 0.5 | APPR BY | DATE | | SERIES | MATERIAL NUMBER | CUSTOMER | | |
| | | XJSONG | 2017/09/06 | | 203007 | 2030070001 | | | |
| | | DRAWING SIZE | THIRD ANGLE PROJECTION | | DOCUMENT NUMBER | | DOC TYPE | DOC PART | SHEET NUMBER |
| | | A3 | | | 2030070001 | | PSD | SD | 1 OF 2 |
| DRAFT WHERE APPLICABLE MUST REMAIN WITHIN DIMENSIONS | | | | | | | | | |



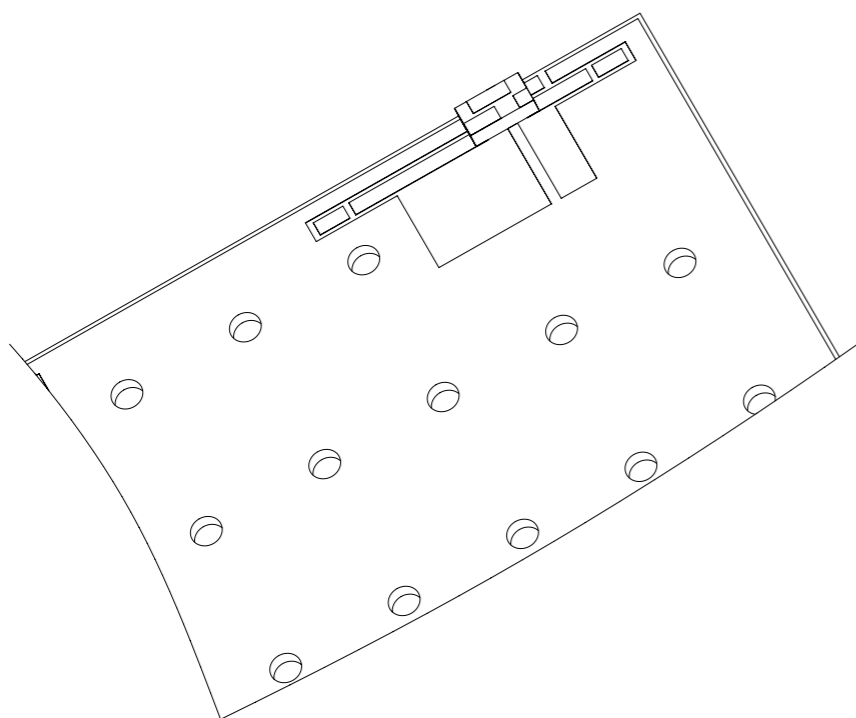
BACK VIEW



DETAIL A
SCALE 5:1



FRONT VIEW



RECOMMENDED PCB LAYOUT
 SIZE 80X40X0.8mm
 GENERAL TOLERANCE OF PCB ±0.05mm

THIS DRAWING CONTAINS INFORMATION THAT IS PROPRIETARY TO MOLEX ELECTRONIC TECHNOLOGIES, LLC AND SHOULD NOT BE USED WITHOUT WRITTEN PERMISSION

| | | | | | | |
|--|------------|--|-----------------|------------------------|--|-------------------|
| EC NO: 120670 DRWN: CXU11 CHK'D: ZLRAO APPR: XJSONG | 2017/08/28 | GENERAL TOLERANCES (UNLESS SPECIFIED) ANGULAR TOL ± 1.0 ° 4 PLACES ± 3 PLACES ± 0.05 2 PLACES ± 0.1 1 PLACE ± 0.3 0 PLACES ± 0.5 | DIMENSION UNITS | SCALE | | |
| | 2017/09/06 | | MM | 3:1 | | |
| | 2017/09/06 | | DRWN BY | DATE | | CXU11 2017/08/28 |
| | | | CHK'D BY | DATE | | ZLRAO 2017/09/06 |
| | | | APPR BY | DATE | | XJSONG 2017/09/06 |
| | | DRAFT WHERE APPLICABLE MUST REMAIN WITHIN DIMENSIONS | DRAWING SIZE | THIRD ANGLE PROJECTION | SD FOR GNSS/WIFI COMBO CERAMIC ANTENNA PRODUCT CUSTOMER DRAWING | |
| A | REV | | A3 | | SERIES: 203007 MATERIAL NUMBER: 2030070001 CUSTOMER: | |
| | | | | | DOCUMENT NUMBER: 2030070001 DOC TYPE: PSD DOC PART: SD SHEET NUMBER: 2 OF 2 | |