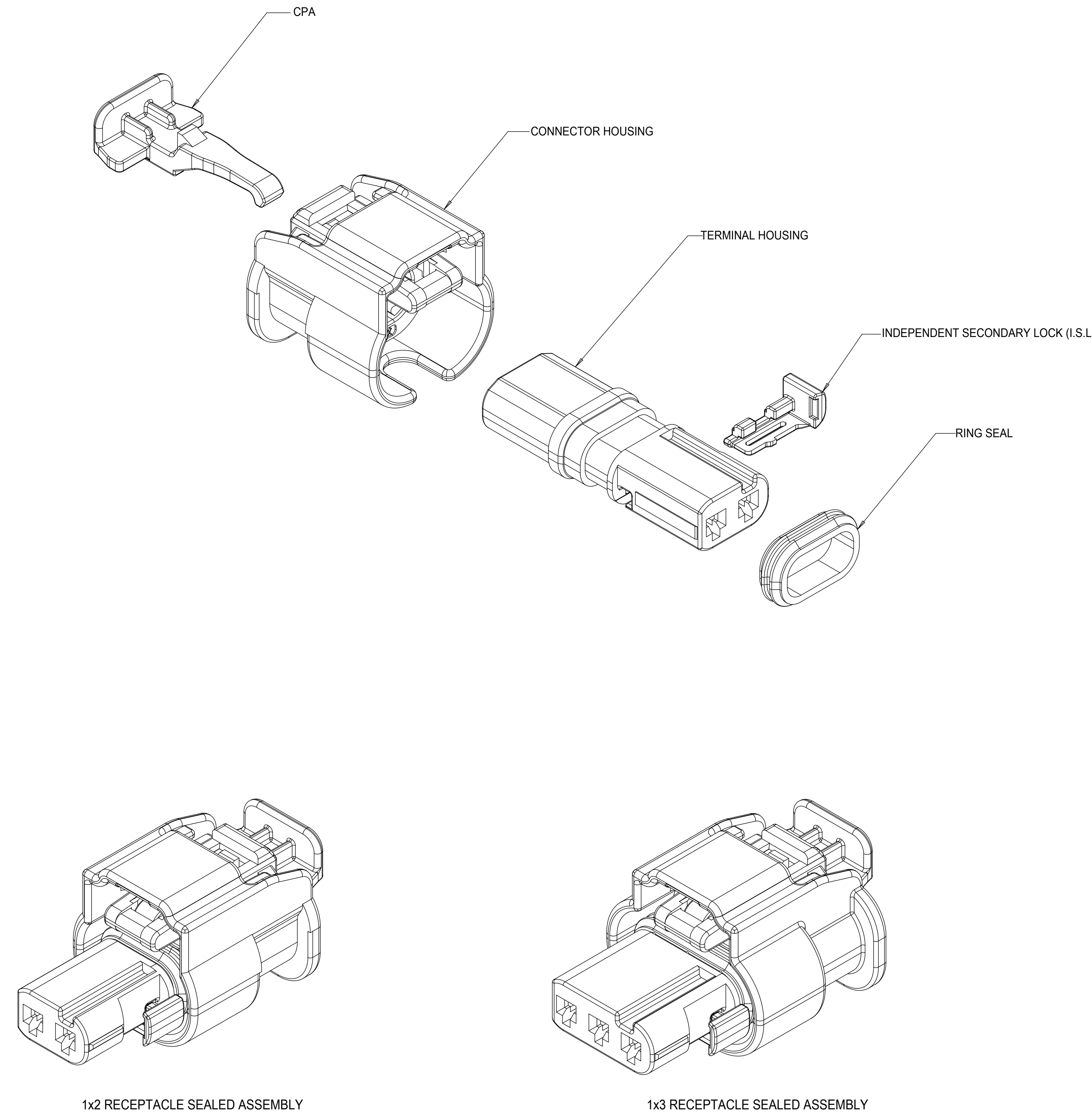


TABLE OF CONTENTS

SHEET NO.	SHEET DESCRIPTION
1	NOTES
2	1x2 RECEPTACLE SEALED ASSEMBLY KEYING CONFIGURATIONS
3	1x3 RECEPTACLE SEALED ASSEMBLY KEYING CONFIGURATIONS
4	RECEPTACLE SEALED ASSEMBLY
5	1x2 RECEPTACLE SEALED ASSEMBLY BOM SHEET 1
6	1x3 RECEPTACLE SEALED ASSEMBLY BOM SHEET 1
7	OBSOLETE PART NUMBERS

NOTES: VALID UNLESS OTHERWISE SPECIFIED

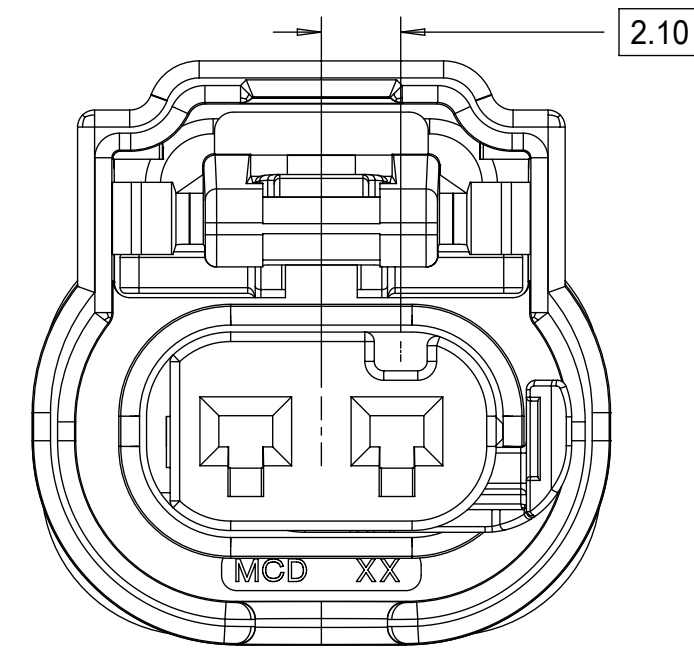
1. GENERAL:
 - a. APPLICATION SPECIFICATION SEE: AS-34900-0001
CONTAINS: PRODUCT INTRODUCTION, PRODUCT SUMMARY, CONNECTOR ASSEMBLY, PACKAGING INFORMATION, CONNECTOR MATING, SERVICE INSTRUCTIONS, ELECTRICAL CONTINUITY CHECKING, CRIMPING, AND TROUBLESHOOTING.
 - b. PRODUCT SPECIFICATION SEE: PS-34900-0001
CONTAINS: PRODUCT INTRODUCTION, PRODUCT SUMMARY, RATINGS (CURRENT, TEMPERATURE, SEALING, AND FLAMMABILITY), AND PRODUCT VALIDATION.
 - c. PACKAGING SPECIFICATION PER MOLEX DRAWING: PK-31301-898
 - d. PARTS MUST BE IN COMPLIANCE TO MOLEX CHEMICAL SUBSTANCES FOR PRODUCTS AND PACKAGING SPECIFICATION: ES-40000-5016
 - e. DATA MUST BE SUBMITTED UNDER THE MOLEX PART NUMBER TO IMDS (COMPANY ID#13255)
 - f. DESIGNED TO MATE WITH DEVICE CONNECTION AS SPECIFIED IN BOM CHART
USCAR DRAWINGS AND MODELS ARE AVAILABLE AT <http://ewcap.uscarteams.org/>.
2. DESIGN - MATERIALS:
 - a. SEE BOM TABLE
3. DESIGN - GEOMETRY:
 - a. THIS IS A 100% CAD GENERATED PART. THE CAD MATHEMATICAL DATA IS THE MASTER FOR THIS PART. FOR DIMENSIONAL OR ANY INFORMATION NOT SHOWN ON THIS DRAWING, ANALYZE THE CAD MODEL.
 - b. GEOMETRIC DIMENSIONS AND TOLERANCES PER ASME Y14.5M - 1994
 - c. EDGES AND UNDIMENSIONED DETAILS PER ISO13715
 - d. CORNERS SHOWN AS SHARP TO BE R 0.2 MAX.
 - e. LETTERING SHALL BE 0.15 MAX RAISED IN 0.25 MAX RECESS PAD.
THIS INCLUDES RECYCLING CODE, CAVITY ID, VENDOR IDENTIFICATION, AND CUSTOMER MATERIAL NUMBER.
 - f. VISUAL DEFECTS SHALL MEET COSMETIC STANDARD PS-45499-002 (Class B)
 - g. LASER MARKING:
 1. PART NUMBER
 2. DAY OF THE YEAR
 3. SHIFT
 4. YEAR



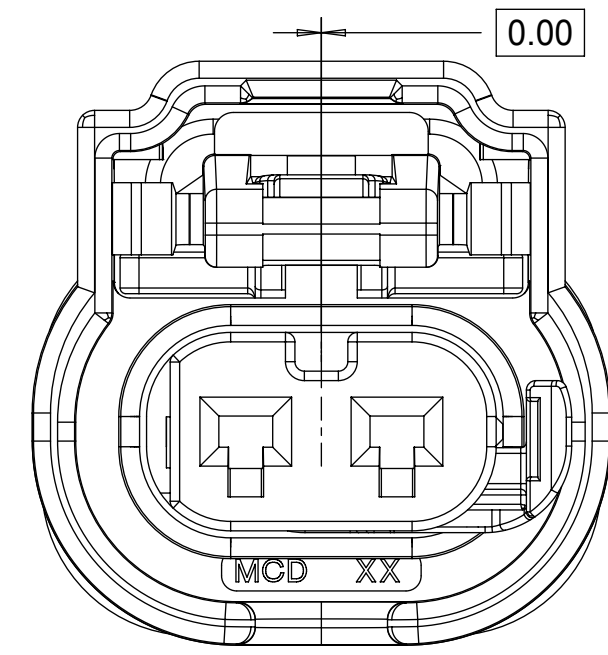
C4	ADDED WIRE DRESS COVERS
C3	ADDED CPA2 PNs
C2	UPDATED STATUS OF PNs
C1	- NX-REMASTERING FROM MODEL MANAGER - 1X2 KEY C MADE SALEABLE
C	34900-3127 RELEASED AS SALEABLE
B	PRIMARY KEYS (A,B) MOVED TO SALEABLE
A10	ADDED 1X3 SEVERE VIBRATION PART NUMBER
A9	1X2 AND 1X3 PART # UPDATED DIMENSION 2 UPDATED
A8	1X2 PART # UPDATED TO "TOOLED BUT NOT VALIDATED"
A7	1X2 PART # UPDATED TO "TOOLED BUT NOT VALIDATED"
A6	ADDED NEW PART NUMBERS FOR LATCH IMPROVEMENT
A5	BOM CORRECTIONS AND UPDATES
A4	BOM CORRECTIONS AND UPDATES
A3	1x2, 1x3 NON-SIR OK TO TOOL
A2	MINOR BOM CORRECTIONS
A1	ADDED COMPONENTS TO BOM
A	ADDED BLACK PART NUMBERS AND MINOR BOM UPDATES
3	ADDED 1x3
2	MINOR BOM CORRECTIONS
1	INITIAL RELEASE
REV	DESCRIPTION

QUALITY SYMBOLS	THIS DRAWING CONTAINS INFORMATION THAT IS PROPRIETARY TO MOLEX ELECTRONIC TECHNOLOGIES, LLC AND SHOULD NOT BE USED WITHOUT WRITTEN PERMISSION		DIMENSION UNITS	SCALE
▽ = 0	2019/09/16	GENERAL TOLERANCES (UNLESS SPECIFIED)	mm	4:1
▽ = 0	2019/09/30	ANGULAR TOL ± 3.0 °	DRWN BY	DATE
▽ = 0	2019/09/30	4 PLACES ±	MVANSLAMBROU	2012/02/15
▽ = 0		3 PLACES ±	CHKD BY	DATE
▽ = 0		2 PLACES ± 0.1		2013/11/06
▽ = 0		1 PLACE ± 0.2	APPR BY	DATE
▽ = 0		0 PLACES ± 0.5	GGA	2012/12/13
▽ = 0		DRAFT WHERE APPLICABLE MUST REMAIN WITHIN DIMENSIONS	DRAWING SIZE	THIRD ANGLE PROJECTION
▽ = 0			D	
	EC NO: 624282		SERIES	MATERIAL NUMBER
	DRWN: HGBOR		34900	SEE TABLE
	CHKD: KBORUSZEWSKI		CUSTOMER	GENERAL MARKET
	REV: APPR: KBORUSZEWSKI		DOCUMENT NUMBER	DOC TYPE
			SD-34900-2001	PSD
			DOC PART	SHEET NUMBER
			001	1 OF 7

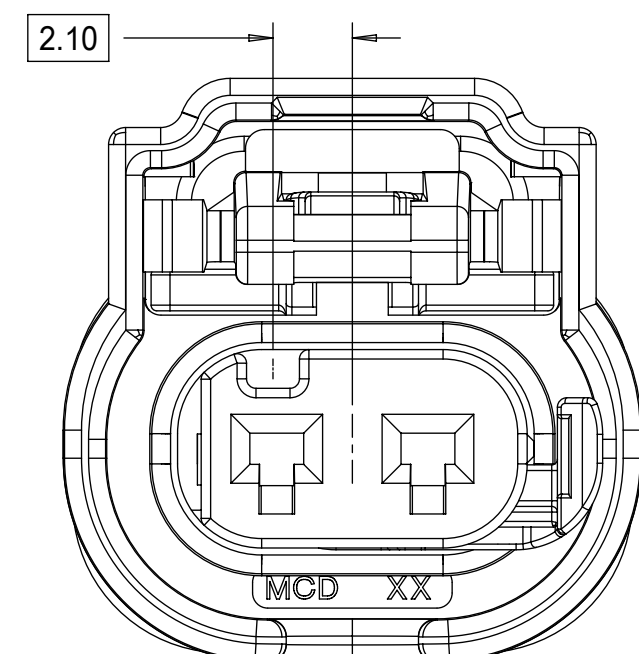
1x2 RECEPTACLE SEALED ASSEMBLY KEYING CONFIGURATIONS. FOR PART NUMBERS REFER TO BOM SHEET.



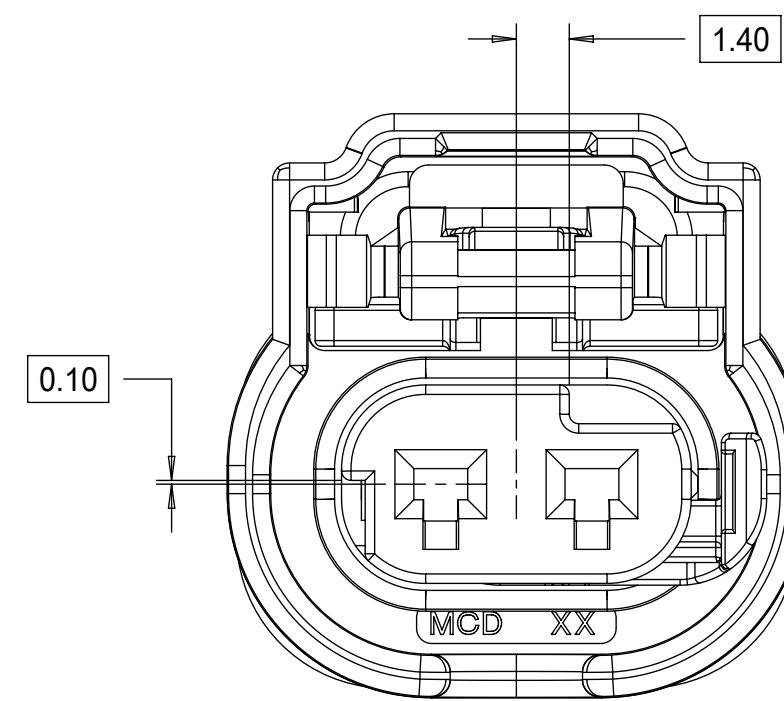
KEYING OPTION A



KEYING OPTION B



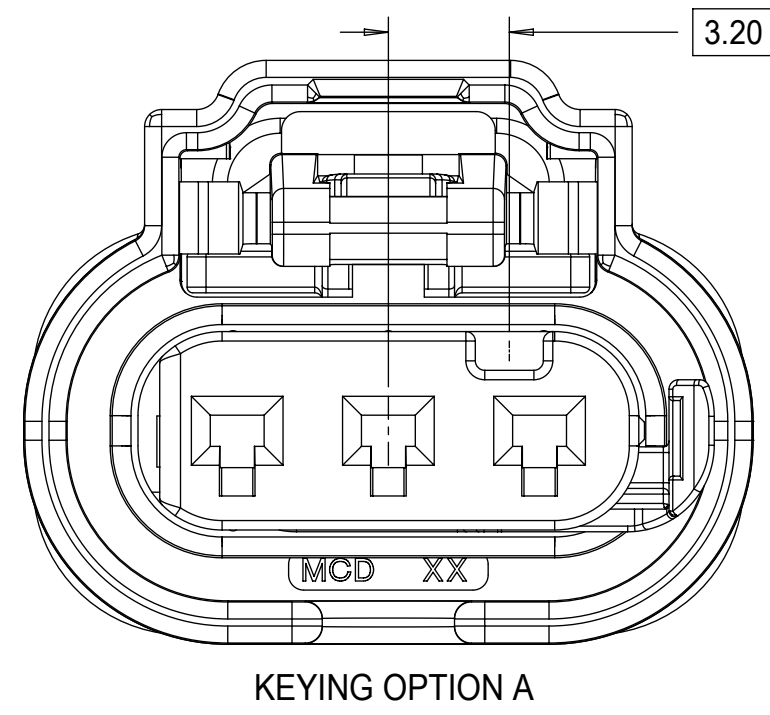
KEYING OPTION C



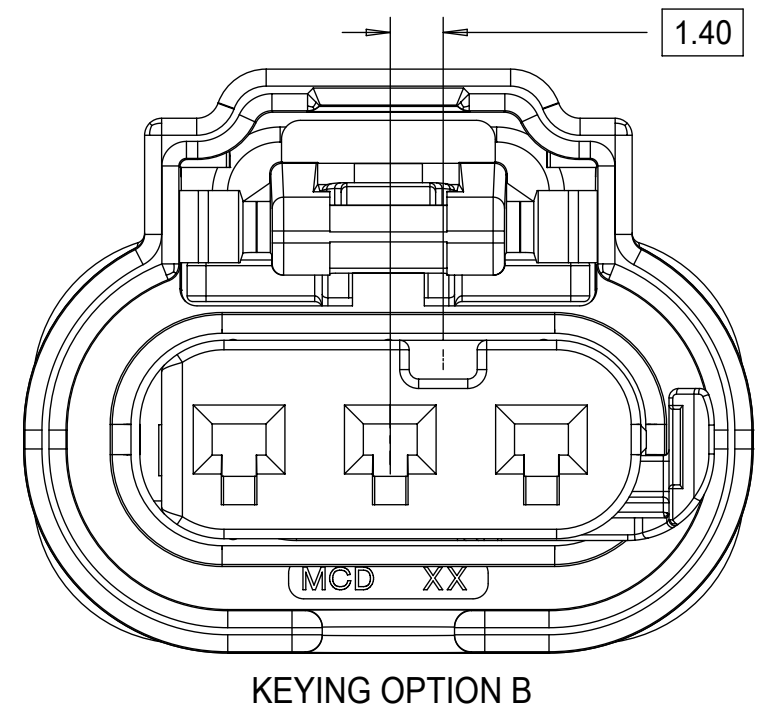
KEYING OPTION E

THIS DRAWING CONTAINS INFORMATION THAT IS PROPRIETARY TO MOLEX ELECTRONIC TECHNOLOGIES, LLC AND SHOULD NOT BE USED WITHOUT WRITTEN PERMISSION									
QUALITY SYMBOLS	EC NO: 624282 DRWN: HGBOR CHKD: KBORUSZEWSKI REV APPR: KBORUSZEWSKI	2019/09/16 2019/09/30 2019/09/30	GENERAL TOLERANCES (UNLESS SPECIFIED)		DIMENSION UNITS	SCALE			
			ANGULAR TOL ± 3.0 °		mm	5:1			
▽ = 0	DRAFT WHERE APPLICABLE MUST REMAIN WITHIN DIMENSIONS	C4	4 PLACES ±	DRWN BY	DATE	1.2MM 1X2, 1X3 RECPT. SEALED ASSEMBLY CABLE SEAL 621905: ADDED CPA2 PNS, RE-ADDED PNS USING TERMINAL H			
▽ = 0			3 PLACES ±	MVANSLAMBROU	2012/02/15				
▽ = 0			2 PLACES ± 0.1	CHKD BY	DATE	PRODUCT CUSTOMER DRAWING			
▽ = 0			1 PLACE ± 0.2	2013/11/06					
▽ = 0			0 PLACES ± 0.5	APPR BY	DATE	GENERAL MARKET			
▽ = 0				GGA	2012/12/13				
▽ = 0				DRAWING SIZE	THIRD ANGLE PROJECTION	SERIES	MATERIAL NUMBER	CUSTOMER	
				D		34900	SEE BOM	GENERAL MARKET	
						DOCUMENT NUMBER	DOC TYPE	DOC PART	SHEET NUMBER
						SD-34900-2001	PSD	001	2 OF 7

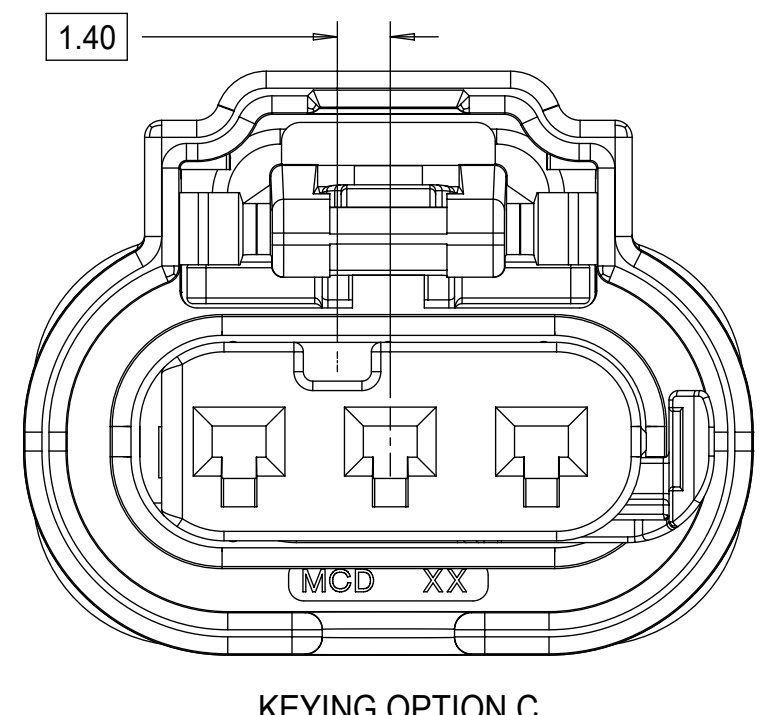
1x3 RECEPTACLE SEALED ASSEMBLY KEYING CONFIGURATIONS. FOR PART NUMBERS REFER TO BOM SHEET.



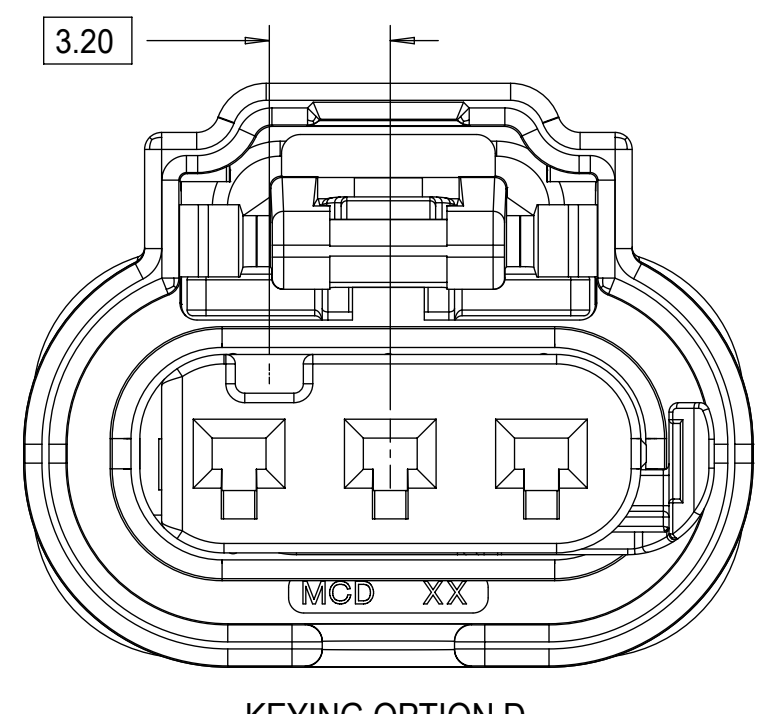
KEYING OPTION A



KEYING OPTION B

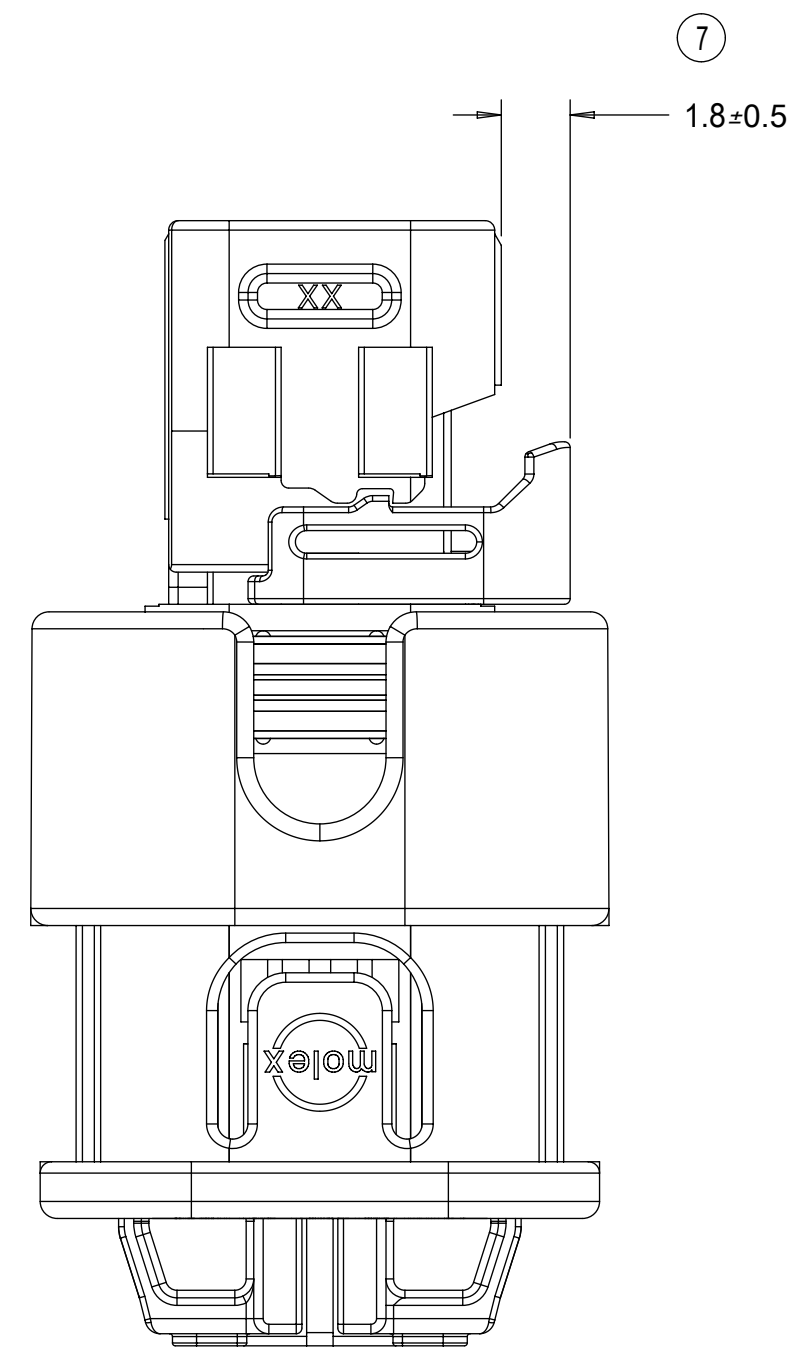
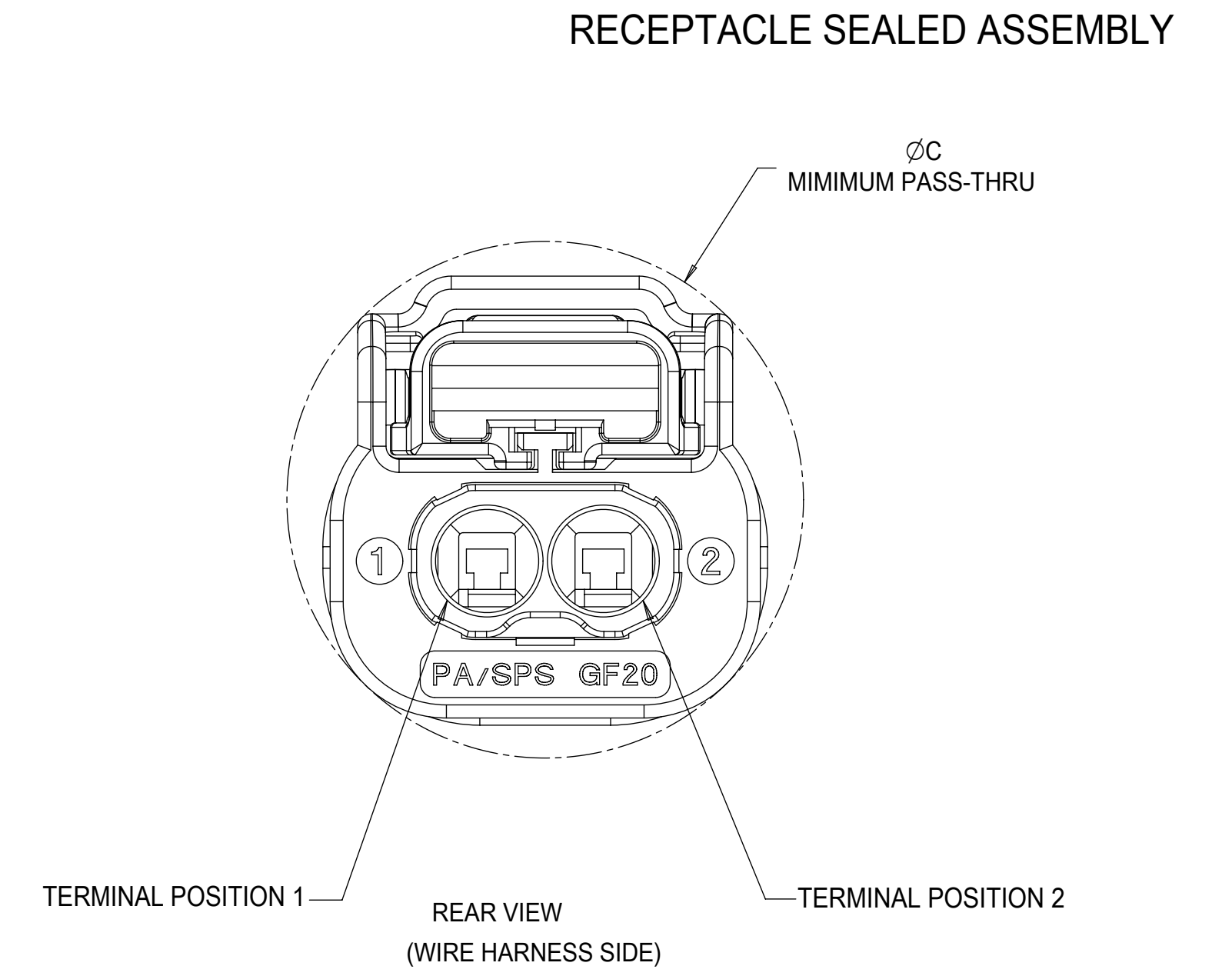
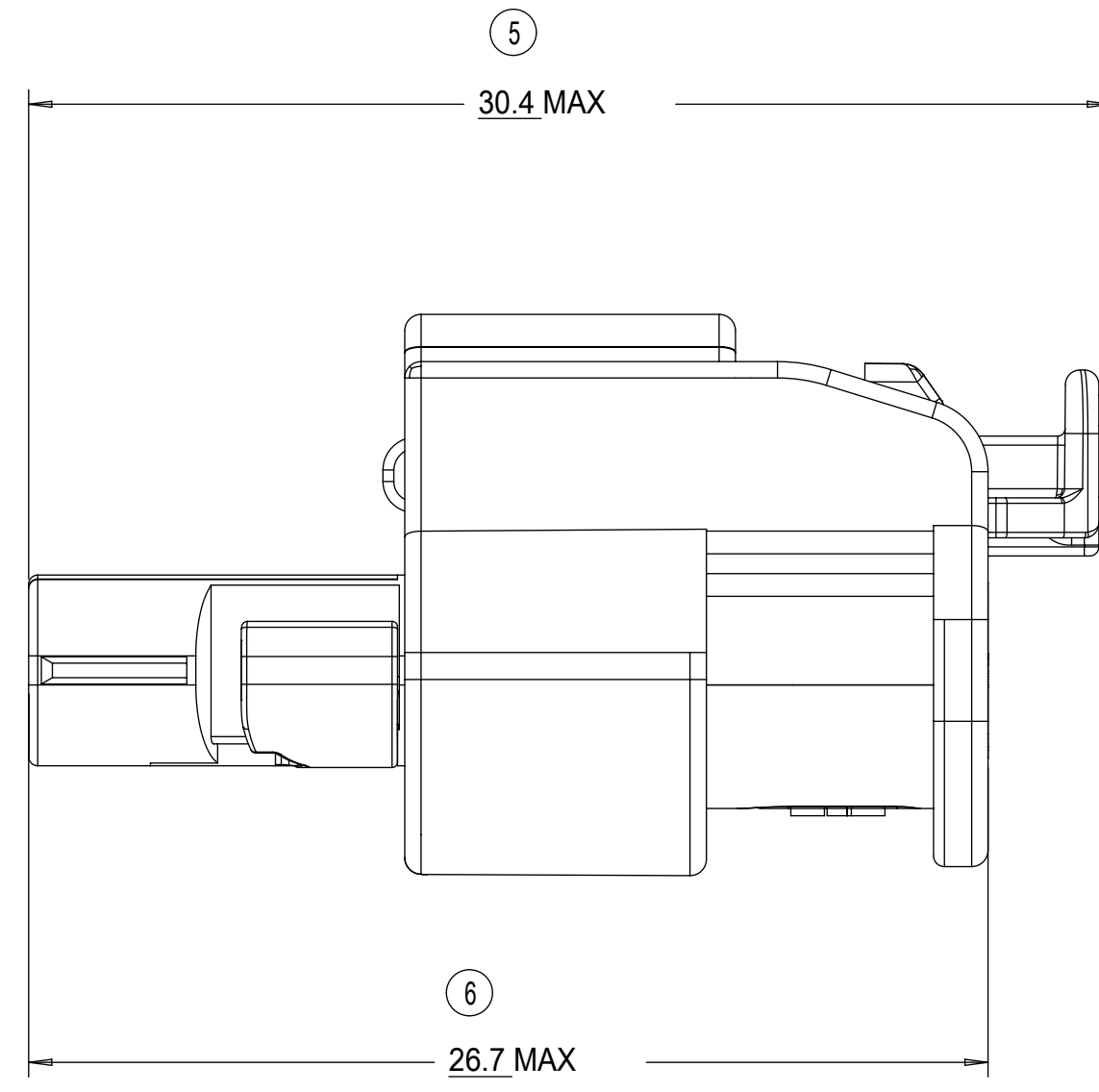
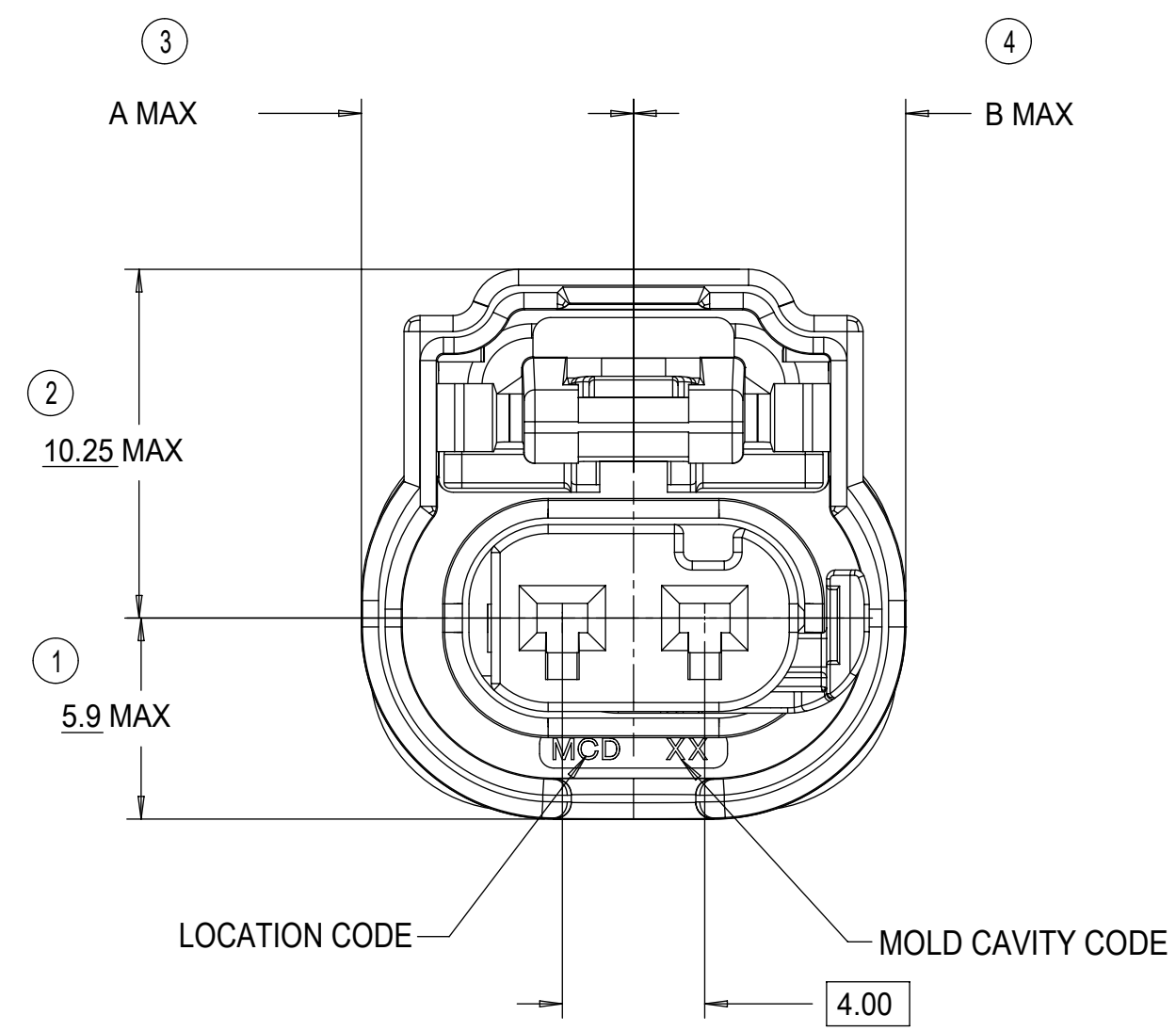
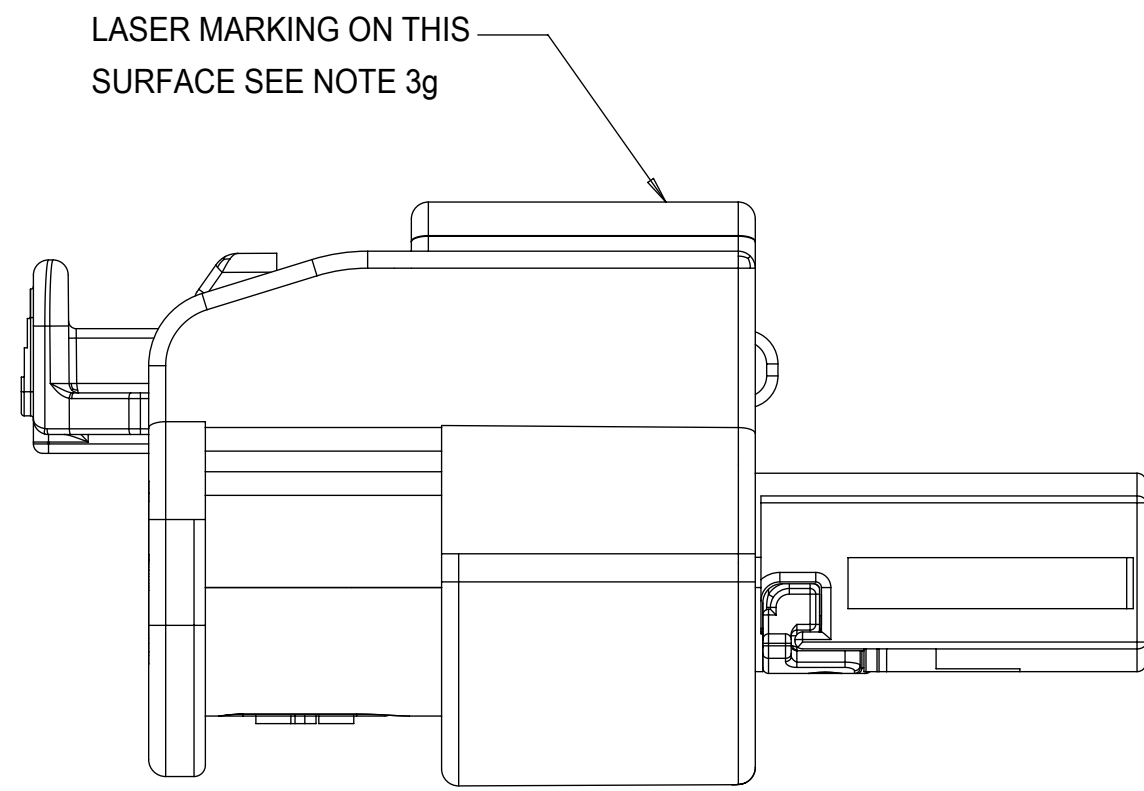


KEYING OPTION C

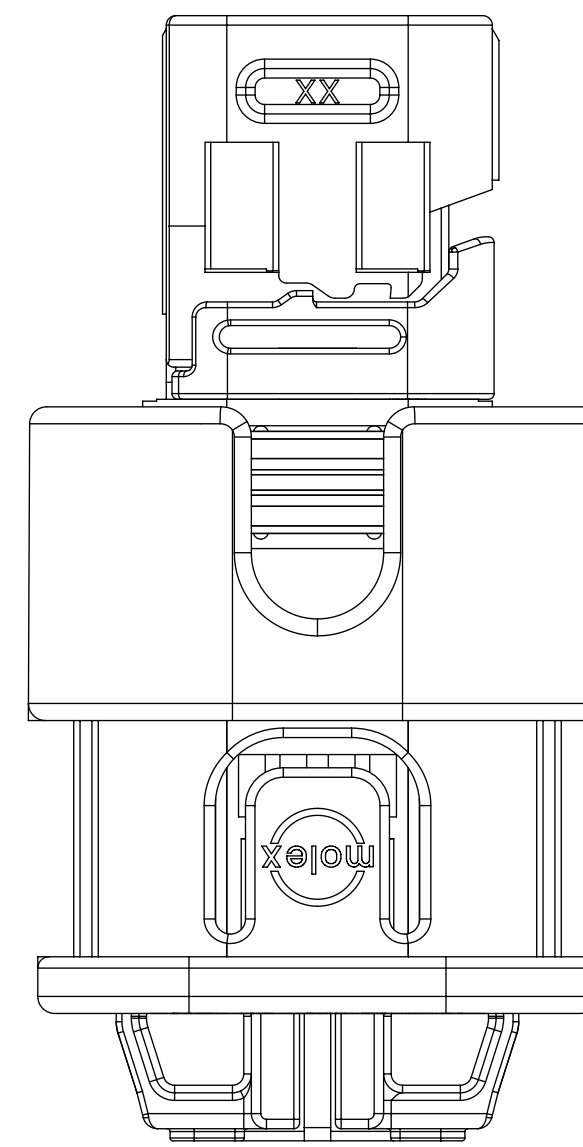


KEYING OPTION D

QUALITY SYMBOLS □ = 0 ▽ = 0 ▽ = 0 ▽ = 0 ▽ = 0 ▽ = 0 ▽ = 0 ▽ = 0 ▽ = 0 ▽ = 0		THIS DRAWING CONTAINS INFORMATION THAT IS PROPRIETARY TO MOLEX ELECTRONIC TECHNOLOGIES, LLC AND SHOULD NOT BE USED WITHOUT WRITTEN PERMISSION		DIMENSION UNITS mm		SCALE 5:1																															
EC NO: 624282 DRWN: HGBOR CHKD: KBORUSZEWSKI REV: APPR: KBORUSZEWSKI		GENERAL TOLERANCES (UNLESS SPECIFIED) ANGULAR TOL ± 3.0 ° 4 PLACES ± 3 PLACES ± 2 PLACES ± 0.1 1 PLACE ± 0.2 0 PLACES ± 0.5 DRAFT WHERE APPLICABLE MUST REMAIN WITHIN DIMENSIONS		DRWN BY MVANSLAMBROU		DATE 2012/02/15					1.2MM 1X2, 1X3 RECPT. SEALED ASSEMBLY CABLE SEAL 621905: ADDED CPA2 PNS, RE-ADDED PNS USING TERMINAL H																										
C4		DRIFT WHERE APPLICABLE MUST REMAIN WITHIN DIMENSIONS		CHKD BY GGA		DATE 2013/11/06		PRODUCT CUSTOMER DRAWING																													
RELEASE STATUS P1		RELEASE DATE 2019/09/30 20:42:38		APPR BY GGA		DATE 2012/12/13					SERIES MATERIAL NUMBER CUSTOMER 34900 SEE BOM GENERAL MARKET																										
19		18		17		16		15		14		13		12		11		10		9		8		7		6		5		4		3		2		1	
DOCUMENT NUMBER SD-34900-2001		DOC TYPE PSD		DOC PART 001		SHEET NUMBER 3 OF 7																															



INDEPENDENT SECONDARY LOCK (ISL)
SHOWN IN THE PRE-STAGED POSITION



INDEPENDENT SECONDARY LOCK (ISL)
SHOWN IN THE FINAL-LOCK POSITION

1x3 RECEPTACLE SEALED ASSEMBLY	10.0	10.0	20.75
1x2 RECEPTACLE SEALED ASSEMBLY	8.0	8.0	18.75
CONFIGURATION	A	B	C

CHARTED DIMENSIONS

QUALITY SYMBOLS 	THIS DRAWING CONTAINS INFORMATION THAT IS PROPRIETARY TO MOLEX ELECTRONIC TECHNOLOGIES, LLC AND SHOULD NOT BE USED WITHOUT WRITTEN PERMISSION		DIMENSION UNITS mm	SCALE 5:1	
	GENERAL TOLERANCES (UNLESS SPECIFIED) ANGULAR TOL ± 3.0 ° 4 PLACES ± 3 PLACES ± 2 PLACES ± 0.1 1 PLACE ± 0.2 0 PLACES ± 0.5 DRAFT WHERE APPLICABLE MUST REMAIN WITHIN DIMENSIONS	DRWN BY 2019/09/16 HGBOR	DATE 2012/02/15	DRWN BY MVANSLAMBROU	
EC NO: 624282 DRWN: HGBOR CHKD: KBORUSZEWSKI REV APPR: KBORUSZEWSKI	DATE 2019/09/30	DATE 2012/12/13	APPR BY GGA	DATE 2012/12/13	PRODUCT CUSTOMER DRAWING
C4	DRAWING SIZE D	THIRD ANGLE PROJECTION	SERIES 34900	MATERIAL NUMBER SEE BOM	CUSTOMER GENERAL MARKET
RELEASE STATUS P1	RELEASE DATE 2019/09/30	20:42:38	DOCUMENT NUMBER SD-34900-2001	DOC TYPE PSD	DOC PART SHEET NUMBER 001 4 OF 7

1X2 RECEPTACLE SEALED ASSEMBLY BOM SHEET 1

KEYING OPTION E, BLACK	34900-2223	-40 TO 155	4						CHB			E		CPA2	TOOLED BUT NOT VALIDATED	1	2	3
KEYING OPTION C, BLACK	34900-2222	-40 TO 155	4						CHB			C		CPA2	TOOLED BUT NOT VALIDATED	1	2	3
KEYING OPTION B, BLACK	34900-2221	-40 TO 155	4						CHB	B				CPA2	TOOLED BUT NOT VALIDATED	1	2	3
KEYING OPTION A, BLACK	34900-2220	-40 TO 155	4						CHB	A				CPA2	TOOLED BUT NOT VALIDATED	1	2	3
KEYING OPTION E, YELLOW	34900-2204	-40 TO 125	2						CHY			E		CPA2	TOOLED BUT NOT VALIDATED	1	2	3
KEYING OPTION C, YELLOW	34900-2203	-40 TO 125	2						CHY			C		CPA2	TOOLED BUT NOT VALIDATED	1	2	3
KEYING OPTION B, YELLOW	34900-2202	-40 TO 125	2						CHY	B				CPA2	TOOLED BUT NOT VALIDATED	1	2	3
KEYING OPTION A, YELLOW	34900-2201	-40 TO 125	2						CHY	A				CPA2	TOOLED BUT NOT VALIDATED	1	2	3
KEYING OPTION E, BLACK	34900-2123	-40 TO 155	4						CHB			E	CPA1		TOOLED BUT NOT VALIDATED	1	2	3
KEYING OPTION C, BLACK	34900-2122	-40 TO 155	4						CHB			C	CPA1		SALEABLE	1	2	3
KEYING OPTION B, BLACK	34900-2121	-40 TO 155	4						CHB	B			CPA1		SALEABLE	1	2	3
KEYING OPTION A, BLACK	34900-2120	-40 TO 155	4						CHB	A			CPA1		SALEABLE	1	2	3
KEYING OPTION E, YELLOW	34900-2104	-40 TO 125	2						CHY			E	CPA1		TOOLED BUT NOT VALIDATED	1	2	3
KEYING OPTION C, YELLOW	34900-2103	-40 TO 125	2						CHY			C	CPA1		SALEABLE	1	2	3
KEYING OPTION B, YELLOW	34900-2102	-40 TO 125	2						CHY	B			CPA1		SALEABLE	1	2	3
KEYING OPTION A, YELLOW	34900-2101	-40 TO 125	2						CHY	A			CPA1		SALEABLE	1	2	3
KEYING OPTION B, YELLOW	34900-2002	-40 TO 125	2					CHY		B			CPA1		SALEABLE	1	2	3
KEYING OPTION A, YELLOW	34900-2001	-40 TO 125	2					CHY		A			CPA1		SALEABLE	1	2	3
ASSEMBLY DESCRIPTION	PART NUMBER	OPERATING TEMPERATURE	VIBRATION CLASS PER GMW3191 DEC. 2007						A	B	C	E	CPA1	CPA2	STATUS	COMMENTS	DESIGNED TO MATE WITH DEVICE CONNECTION	

	RING SEAL	BURNT RED	INHERENTLY LUBRICATED SILICONE	
	ISL	NATURAL	SPS/NYLON GF20	
	CPA2	RED	PBT GF30	
	CPA1	RED	PBT GF30	
	TERMINAL HOUSING KEYING OPTION E	STONE GRAY	SPS/NYLON GF20	
	TERMINAL HOUSING KEYING OPTION C	DARK GRAY	SPS/NYLON GF20	
	TERMINAL HOUSING KEYING OPTION B	LT. GRAY	SPS/NYLON GF20	
	TERMINAL HOUSING KEYING OPTION A	BLACK	SPS/NYLON GF20	
	CONNECTOR HOUSING	BLACK	SPS/NYLON GF20	UPDATED LATCH
	CONNECTOR HOUSING	YELLOW	SPS/NYLON GF20	UPDATED LATCH
	CONNECTOR HOUSING	BLACK	SPS/NYLON GF20	
	CONNECTOR HOUSING	YELLOW	SPS/NYLON GF20	
	WIRE DRESS COVER STRAIGHT	BLACK	PA66	SOLD SEPARATELY SEE SD-160091-0001
	WIRE DRESS COVER RIGHT	BLACK	PA66	
	WIRE DRESS COVER LEFT	BLACK	PA66	
	DESCRIPTION	COLOR	MATERIAL	COMMENTS
BOM / APPLICABLE COMPONENTS TABLE				

ABBREVIATION	COMPONENT
CHY	CONNECTOR HOUSING YELLOW
CHB	CONNECTOR HOUSING BLACK
A	TERMINAL HOUSING KEY A
B	TERMINAL HOUSING KEY B
C	TERMINAL HOUSING KEY C
E	TERMINAL HOUSING KEY E
CPA1	CPA VERSION 1
CPA2	CPA VERSION 2
ISL	ISL
R	RING SEAL
1	USCAR INTERFACE 120-S-003-1-Z01 SEE NOTE 1f FOR WEBSITE
2	MOLEX INLINE BLADE CONNECTOR E-34899-2001
3	USCAR INTERFACE 120-S-003-1-Z02 SEE NOTE 1f FOR WEBSITE

THIS DRAWING CONTAINS INFORMATION THAT IS PROPRIETARY TO MOLEX ELECTRONIC TECHNOLOGIES, LLC AND SHOULD NOT BE USED WITHOUT WRITTEN PERMISSION										
QUALITY SYMBOLS	DRWN: HGBOR	CHKD: KBORUSZEWSKI	REV: APPR: KBORUSZEWSKI	EC NO: 624282	2019/09/16	2019/09/30	2019/09/30	GENERAL TOLERANCES (UNLESS SPECIFIED)	DIMENSION UNITS	SCALE
								4 PLACES ±	mm	2:1
								3 PLACES ±	DRWN BY	DATE
								2 PLACES ± 0.1	MVANSLAMBROU	2012/02/15
								1 PLACE ± 0.2	CHKD BY	DATE
								0 PLACES ± 0.5		2013/11/06
								DRAFT WHERE APPLICABLE MUST REMAIN WITHIN DIMENSIONS	APPR BY	DATE
									GGA	2012/12/13
									DRAWING SIZE	THIRD ANGLE PROJECTION
									D	
									SERIES	MATERIAL NUMBER
									34900	9999999999
									CUSTOMER	GENERAL MARKET
									DOCUMENT NUMBER	DOC TYPE
									SD-34900-2001	PSD
									DOC PART	SHEET NUMBER
									001	5 OF 7

1X3 RECEPTACLE SEALED ASSEMBLY BOM SHEET 1

KEYING OPTION D, STONE GRAY	34900-3223	-40 TO 125	2		CHB			D			CPA2	TOOLED BUT NOT VALIDATED		1	2	3
KEYING OPTION C, DARK GRAY	34900-3222	-40 TO 125	2		CHB		C				CPA2	TOOLED BUT NOT VALIDATED		1	2	3
KEYING OPTION B, LIGHT GRAY	34900-3221	-40 TO 125	2		CHB	B					CPA2	TOOLED BUT NOT VALIDATED		1	2	3
KEYING OPTION A, BLACK	34900-3220	-40 TO 125	2		CHB	A					CPA2	TOOLED BUT NOT VALIDATED		1	2	3
KEYING OPTION D, YELLOW	34900-3204	-40 TO 125	2		CHY			D			CPA2	TOOLED BUT NOT VALIDATED		1	2	3
KEYING OPTION C, YELLOW	34900-3203	-40 TO 125	2		CHY		C				CPA2	TOOLED BUT NOT VALIDATED		1	2	3
KEYING OPTION B, YELLOW	34900-3202	-40 TO 125	2		CHY	B					CPA2	TOOLED BUT NOT VALIDATED		1	2	3
KEYING OPTION A, YELLOW	34900-3201	-40 TO 125	2		CHY	A					CPA2	TOOLED BUT NOT VALIDATED		1	2	3
KEYING OPTION D, STONE GRAY	34900-3127	-40 TO 125	CONTACT MOLEX FOR INFO		CHB			D		CPA1		SALEABLE	RESTRICTED	1	2	3
KEYING OPTION A, BLACK	34900-3124	-40 TO 125	CONTACT MOLEX FOR INFO		CHB		A			CPA1		SALEABLE	RESTRICTED	1	2	3
KEYING OPTION D, STONE GRAY	34900-3123	-40 TO 125	2		CHB		D			CPA1		TOOLED BUT NOT VALIDATED		1	2	3
KEYING OPTION C, DARK GRAY	34900-3122	-40 TO 125	2		CHB	C				CPA1		TOOLED BUT NOT VALIDATED		1	2	3
KEYING OPTION B, LIGHT GRAY	34900-3121	-40 TO 125	2		CHB	B				CPA1		SALEABLE		1	2	3
KEYING OPTION A, BLACK	34900-3120	-40 TO 125	2		CHB	A				CPA1		SALEABLE		1	2	3
KEYING OPTION D, YELLOW	34900-3104	-40 TO 125	2		CHY		D			CPA1		TOOLED BUT NOT VALIDATED		1	2	3
KEYING OPTION C, YELLOW	34900-3103	-40 TO 125	2		CHY	C				CPA1		TOOLED BUT NOT VALIDATED		1	2	3
KEYING OPTION B, YELLOW	34900-3102	-40 TO 125	2		CHY	B				CPA1		SALEABLE		1	2	3
KEYING OPTION A, YELLOW	34900-3101	-40 TO 125	2		CHY	A				CPA1		SALEABLE		1	2	3
ASSEMBLY DESCRIPTION	PART NUMBER	OPERATING TEMPERATURE	VIBRATION CLASS PER GMW3191 DEC. 2007			A	B	C	D	A	D	CPA1	CPA2	STATUS	COMMENTS	DESIGNED TO MATE WITH DEVICE CONNECTION


RING SEAL	LIGHT BLUE	INHERENTLY LUBRICATED SILICONE	
ISL	NATURAL	SPS/NYLON GF20	
CPA2	RED	PBT GF30	
CPA1	RED	PBT GF30	
TERMINAL HOUSING KEYING OPTION D, Alt.	STONE GRAY	SPS/NYLON GF20	RESTRICTED
TERMINAL HOUSING KEYING OPTION A, Alt.	BLACK	SPS/NYLON GF20	RESTRICTED
TERMINAL HOUSING KEYING OPTION D	STONE GRAY	SPS/NYLON GF20	
TERMINAL HOUSING KEYING OPTION C	DARK GRAY	SPS/NYLON GF20	
TERMINAL HOUSING KEYING OPTION B	LT. GRAY	SPS/NYLON GF20	
TERMINAL HOUSING KEYING OPTION A	BLACK	SPS/NYLON GF20	
CONNECTOR HOUSING	BLACK	SPS/NYLON GF20	UPDATED LATCH
CONNECTOR HOUSING	YELLOW	SPS/NYLON GF20	UPDATED LATCH
CONNECTOR HOUSING	BLACK	SPS/NYLON GF20	
CONNECTOR HOUSING	YELLOW	SPS/NYLON GF20	
WIRE DRESS COVER STRAIGHT	BLACK	PA66	SOLD SEPARATELY SEE SD-160091-0001
WIRE DRESS COVER RIGHT	BLACK	PA66	
WIRE DRESS COVER LEFT	BLACK	PA66	
DESCRIPTION	COLOR	MATERIAL	COMMENTS

BOM / APPLICABLE COMPONENTS TABLE

LEGEND TABLE

ABBREVIATION	COMPONENT
CHY	CONNECTOR HOUSING YELLOW
CHB	CONNECTOR HOUSING BLACK
A	TERMINAL HOUSING KEY A
B	TERMINAL HOUSING KEY B
C	TERMINAL HOUSING KEY C
D	TERMINAL HOUSING KEY D
CPA1	CPA VERSION 1
CPA2	CPA VERSION 2
ISL	ISL
R	RING SEAL
1	USCAR INTERFACE 120-S-002-1-Z01 SEE NOTE 1f FOR WEBSITE
2	MOLEX INLINE BLADE CONNECTOR E-34899-2001
3	USCAR INTERFACE 120-S-002-1-Z02 SEE NOTE 1f FOR WEBSITE

QUALITY SYMBOLS	THIS DRAWING CONTAINS INFORMATION THAT IS PROPRIETARY TO MOLEX ELECTRONIC TECHNOLOGIES, LLC AND SHOULD NOT BE USED WITHOUT WRITTEN PERMISSION					
▽ = 0	2019/09/16 DRWN: HGBOR 2019/09/30 CHKD: KBORUSZEWSKI 2019/09/30 REV APPR: KBORUSZEWSKI	GENERAL TOLERANCES (UNLESS SPECIFIED)		DIMENSION UNITS	SCALE	
▽ = 0		mm	5:1	DRWN BY	DATE	
▽ = 0		ANGULAR TOL ± 3.0 °	MVANSLAMBROU	2012/02/15	CHKD BY	DATE
▽ = 0		4 PLACES ±			2013/11/06	
▽ = 0	3 PLACES ±			APPR BY	DATE	
▽ = 0	2 PLACES ± 0.1			GGA	2012/12/13	
▽ = 0	1 PLACE ± 0.2			DRAWING SIZE	THIRD ANGLE PROJECTION	
▽ = 0	0 PLACES ± 0.5			D		
▽ = 0	DRAFT WHERE APPLICABLE MUST REMAIN WITHIN DIMENSIONS					
▽ = 0						



1.2MM 1X2, 1X3 RECPT.
SEALED ASSEMBLY CABLE SEAL 621905: ADDED CPA2 PNS, RE-ADDED PNS USING TERMINAL H

PRODUCT CUSTOMER DRAWING

SERIES: 34900 MATERIAL NUMBER: 9999999999 CUSTOMER: GENERAL MARKET

DOCUMENT NUMBER: SD-34900-2001 DOC TYPE: PSD DOC PART: 001 SHEET NUMBER: 6 OF 7

OBSOLETE PART NUMBERS

34900-2023	OBSOLETE
34900-2022	OBSOLETE
34900-2021	OBSOLETE
34900-2020	OBSOLETE
34900-2004	OBSOLETE
34900-2003	OBSOLETE
ASSEMBLY PART NUMBERS	STATUS

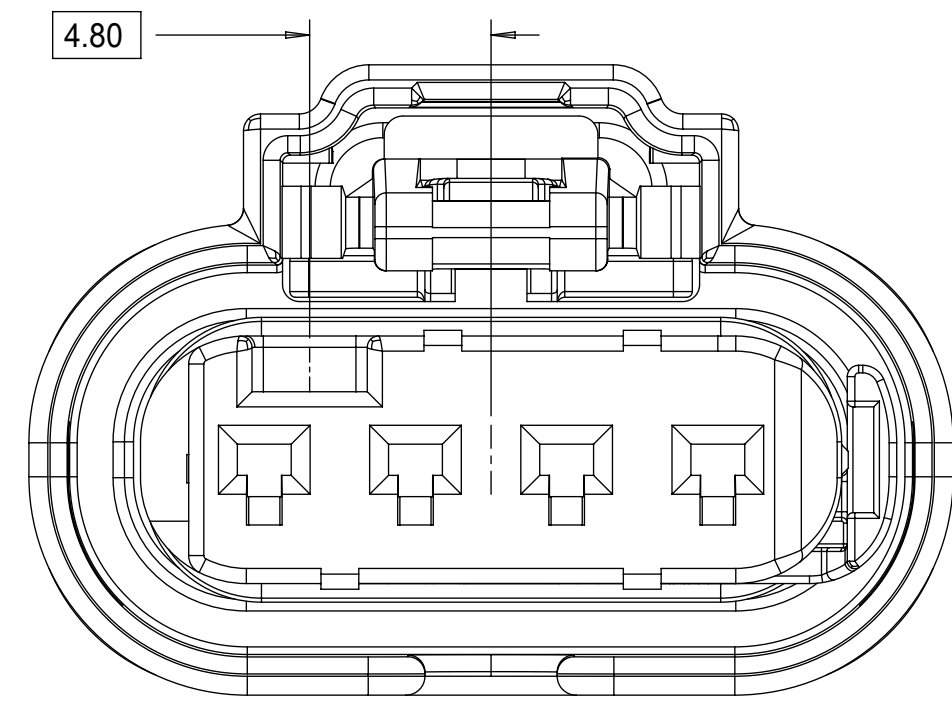
1X2

34900-3023	OBSOLETE
34900-3022	OBSOLETE
34900-3021	OBSOLETE
34900-3020	OBSOLETE
34900-3004	OBSOLETE
34900-3003	OBSOLETE
34900-3002	OBSOLETE
34900-3001	OBSOLETE
ASSEMBLY PART NUMBERS	STATUS

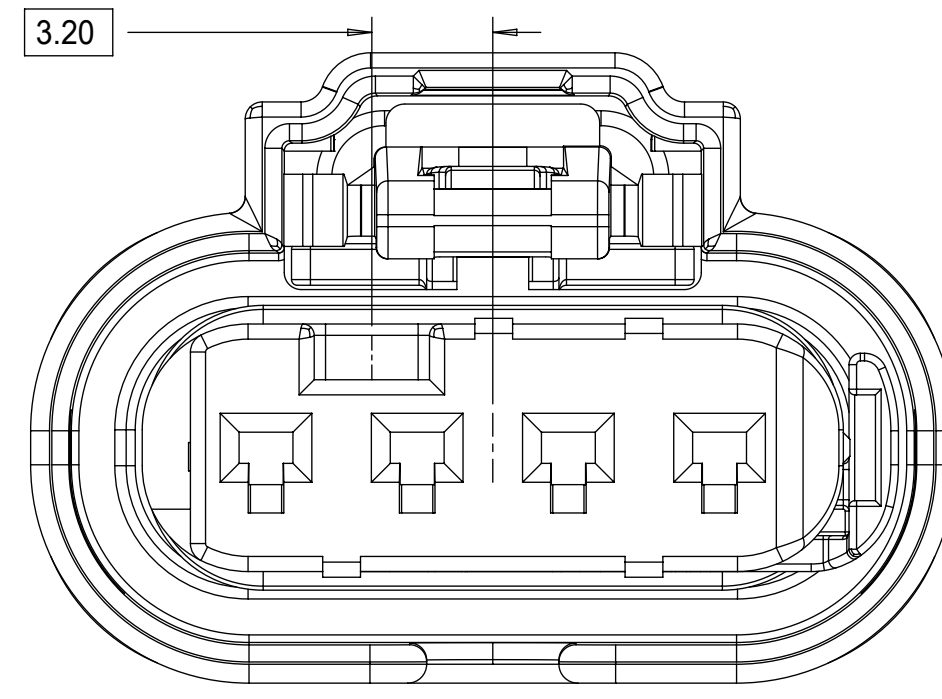
1X3

THIS DRAWING CONTAINS INFORMATION THAT IS PROPRIETARY TO MOLEX ELECTRONIC TECHNOLOGIES, LLC AND SHOULD NOT BE USED WITHOUT WRITTEN PERMISSION									
DIMENSION UNITS	SCALE	Material:		molex			1.2MM 1X2, 1X3 RECPT. SEALED ASSEMBLY CABLE SEAL 621905: ADDED CPA2 PNS, RE-ADDED PNS USING TERMINAL H		
mm	1:1	Heat treat:							
GENERAL TOLERANCES (UNLESS SPECIFIED)		Finish:		PRODUCT CUSTOMER DRAWING					
ANGULAR TOL ± 3.0 °		CURRENT REV DESC:							
4 PLACES	±	EC NO: 624282		DOCUMENT NUMBER: SD-34900-2001 DOC TYPE: PSD DOC PART: 001 REVISION: C4					
3 PLACES	±	DRWN: HGIBOR 2019/09/16							
2 PLACES	± 0.1	CHK'D: KBORUSZEWSKI 2019/09/30		MATERIAL NUMBER: GENERAL MARKET SHEET NUMBER: 7 OF 7					
1 PLACE	± 0.2	APPR: KBORUSZEWSKI 2019/09/30							
0 PLACES	± 0.5	ORIG DRWN BY: MVANSLAMBROU 2012/02/15							
TOOL NUMBER	THIRD ANGLE PROJECTION	DRAWING	SERIES	MATERIAL NUMBER			CUSTOMER		
		D-SIZE	34900				GENERAL MARKET		

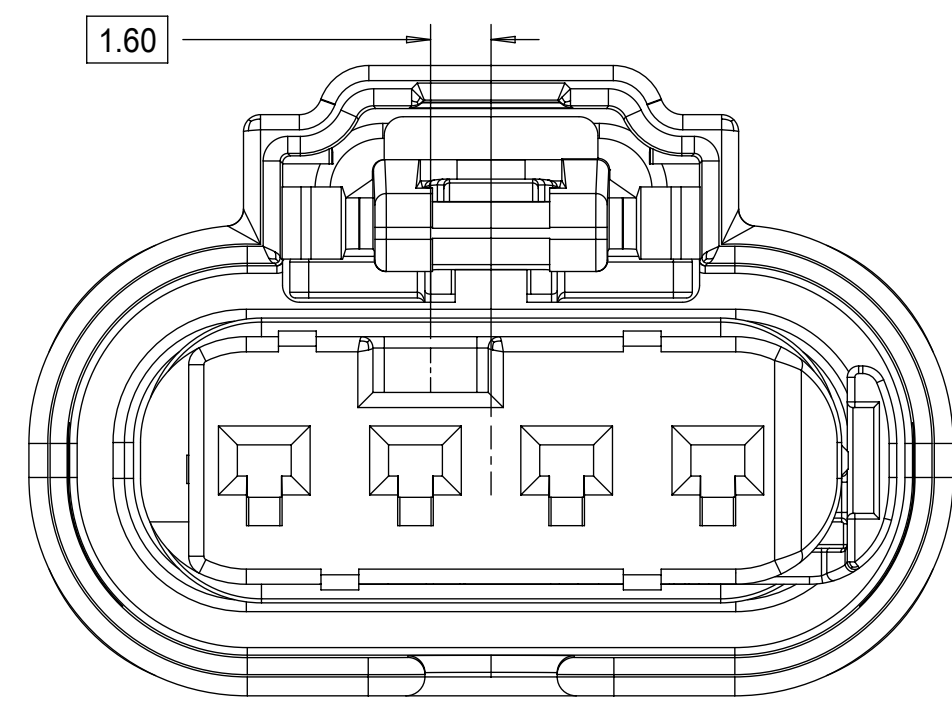
1x4 RECEPTACLE SEALED ASSEMBLY KEYING CONFIGURATIONS. FOR PART NUMBERS REFER TO BOM SHEET.



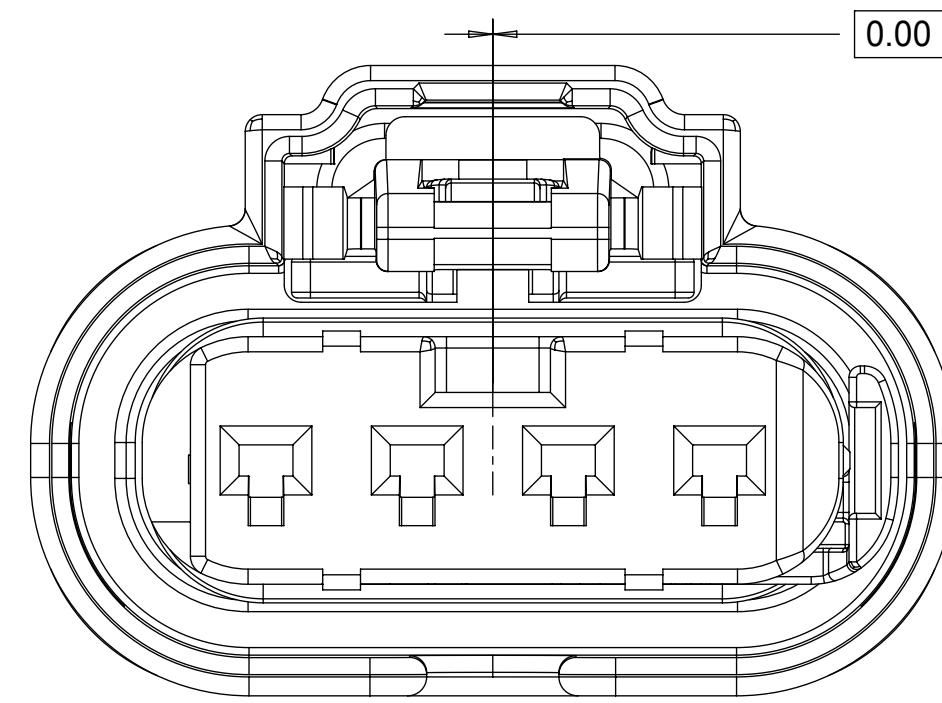
KEYING OPTION A



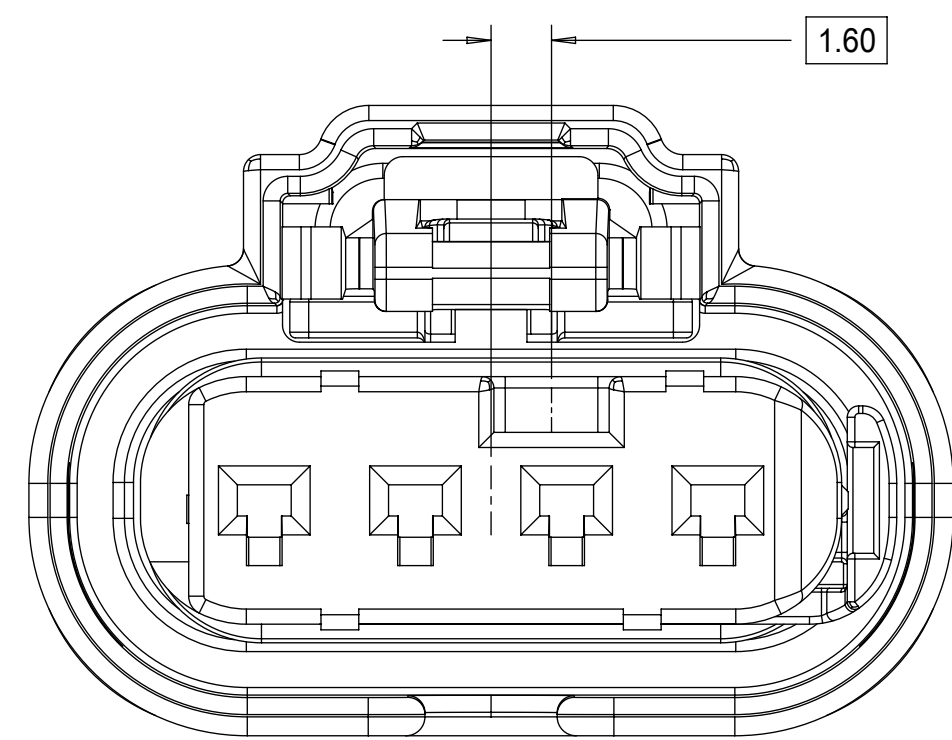
KEYING OPTION E



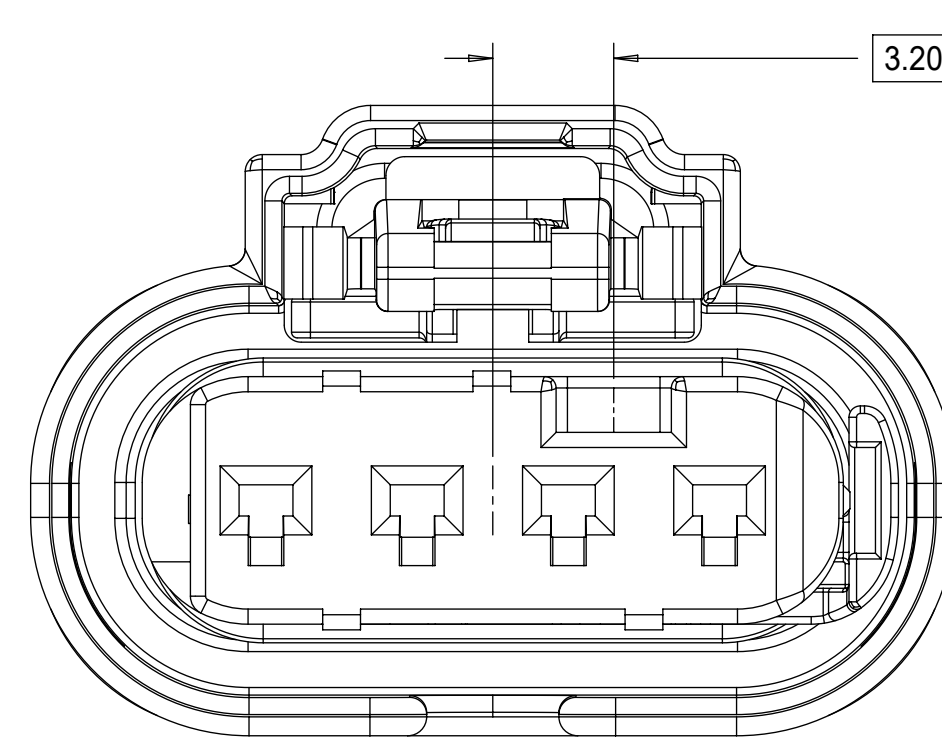
KEYING OPTION B



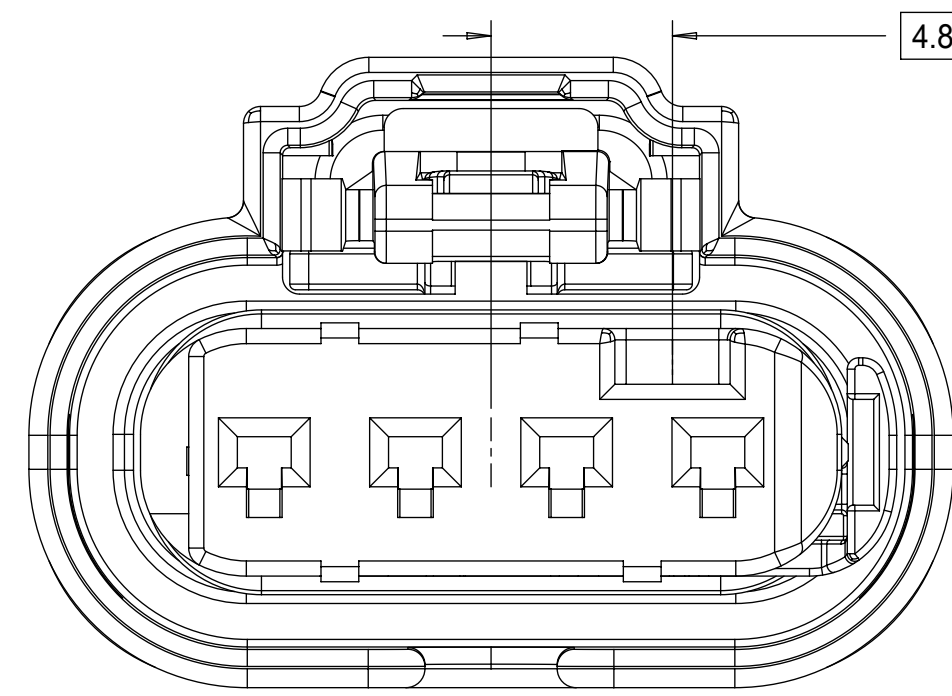
KEYING OPTION F



KEYING OPTION C



KEYING OPTION G



KEYING OPTION D

QUALITY SYMBOLS □ = 0 ▽ = 0 ▽ = 0 ▽ = 0 ▽ = 0 ▽ = 0 ▽ = 0 ▽ = 0 ▽ = 0 ▽ = 0 ▽ = 0 ▽ = 0	THIS DRAWING CONTAINS INFORMATION THAT IS PROPRIETARY TO MOLEX ELECTRONIC TECHNOLOGIES, LLC AND SHOULD NOT BE USED WITHOUT WRITTEN PERMISSION										
	2019/09/16	GENERAL TOLERANCES (UNLESS SPECIFIED)			DIMENSION UNITS	SCALE					
	2019/09/30	ANGULAR TOL ± 3.0 °			mm	5:1					
	2019/09/30	4 PLACES ±			DRWN BY	DATE	1.2MM 1X4, 1X6 RECPT. SEALED ASSEMBLY CABLE SEAL				
		3 PLACES ±			MVANSLAMBROU	2012/05/03					
		2 PLACES ± 0.1			CHKD BY	DATE	PRODUCT CUSTOMER DRAWING				
		1 PLACE ± 0.2			APPR BY	DATE					
		0 PLACES ± 0.5			GGA	2012/12/13	SERIES	MATERIAL NUMBER	CUSTOMER		
	DRAFT WHERE APPLICABLE MUST REMAIN WITHIN DIMENSIONS				DRAWING SIZE	THIRD ANGLE PROJECTION	34900	SEE BOM	GENERAL MARKET		
					D		DOCUMENT NUMBER	DOC TYPE	DOC PART	SHEET NUMBER	
				A14		SD-34900-6001	PSD	001	2 OF 7		

1X4 RECEPTACLE SEALED ASSEMBLY BOM SHEET 1

KEY OPTION	ASSEMBLY DESCRIPTION	CONNECTOR HOUSING COLOR	TERMINAL HOUSING COLOR	OUTER HOUSING SHROUD LENGTH	ASSEMBLY PART NUMBER	CHY	A	B	C	D	E	F	G	CPA1	CPA2	PRODUCTION TOOL STATUS	COMMENTS	DESIGNED TO MATE WITH DEVICE CONNECTION	
KEY OPTION G	BLACK	LIGHT GRAY	LONG	34900-4226	CHB								G	CPA2	SALEABLE			1	2
KEY OPTION F	BLACK	BLACK	LONG	34900-4225	CHB							F		CPA2	SALEABLE			1	2
KEY OPTION E	BLACK	DARK GRAY	LONG	34900-4224	CHB						E			CPA2	SALEABLE			1	2
KEY OPTION D	BLACK	LIGHT GRAY	LONG	34900-4223	CHB					D				CPA2	SALEABLE			1	2
KEY OPTION C	BLACK	DARK GRAY	LONG	34900-4222	CHB				C					CPA2	SALEABLE			1	2
KEY OPTION B	BLACK	STONE GRAY	LONG	34900-4221	CHB			B						CPA2	SALEABLE			1	2
KEY OPTION A	BLACK	BLACK	LONG	34900-4220	CHB		A							CPA2	SALEABLE			1	2
KEY OPTION G	YELLOW	LIGHT GRAY	LONG	34900-4216	CHY								G	CPA2	SALEABLE			1	2
KEY OPTION F	YELLOW	BLACK	LONG	34900-4215	CHY							F		CPA2	SALEABLE			1	2
KEY OPTION E	YELLOW	DARK GRAY	LONG	34900-4214	CHY						E			CPA2	SALEABLE			1	2
KEY OPTION D	YELLOW	LIGHT GRAY	LONG	34900-4213	CHY					D				CPA2	SALEABLE			1	2
KEY OPTION C	YELLOW	DARK GRAY	LONG	34900-4212	CHY				C					CPA2	SALEABLE			1	2
KEY OPTION B	YELLOW	STONE GRAY	LONG	34900-4211	CHY			B						CPA2	SALEABLE			1	2
KEY OPTION A	YELLOW	BLACK	LONG	34900-4210	CHY		A							CPA2	SALEABLE			1	2
KEY OPTION G	BLACK	LIGHT GRAY	MID LENGTH	34900-4136		CHMB							G	CPA2	CONCEPT			1	2
KEY OPTION F	BLACK	BLACK	MID LENGTH	34900-4135		CHMB						F		CPA2	CONCEPT			1	2
KEY OPTION E	BLACK	DARK GRAY	MID LENGTH	34900-4134		CHMB					E			CPA2	CONCEPT			1	2
KEY OPTION D	BLACK	LIGHT GRAY	MID LENGTH	34900-4133		CHMB				D				CPA2	CONCEPT			1	2
KEY OPTION C	BLACK	DARK GRAY	MID LENGTH	34900-4132		CHMB			C					CPA2	CONCEPT			1	2
KEY OPTION B	BLACK	STONE GRAY	MID LENGTH	34900-4131		CHMB		B						CPA2	CONCEPT			1	2
KEY OPTION A	BLACK	BLACK	MID LENGTH	34900-4130		CHMB	A							CPA2	CONCEPT			1	2
KEY OPTION G	BLACK	LIGHT GRAY	LONG	34900-4126	CHB								G	CPA1	SALEABLE			1	2
KEY OPTION F	BLACK	BLACK	LONG	34900-4125	CHB							F		CPA1	SALEABLE			1	2
KEY OPTION E	BLACK	DARK GRAY	LONG	34900-4124	CHB						E			CPA1	SALEABLE			1	2
KEY OPTION D	BLACK	LIGHT GRAY	LONG	34900-4123	CHB					D				CPA1	SALEABLE			1	2
KEY OPTION C	BLACK	DARK GRAY	LONG	34900-4122	CHB					C				CPA1	SALEABLE			1	2
KEY OPTION B	BLACK	STONE GRAY	LONG	34900-4121	CHB			B						CPA1	SALEABLE			1	2
KEY OPTION A	BLACK	BLACK	LONG	34900-4120	CHB		A							CPA1	SALEABLE			1	2
KEY OPTION G	YELLOW	LIGHT GRAY	LONG	34900-4116	CHY								G	CPA1	SALEABLE			1	2
KEY OPTION F	YELLOW	BLACK	LONG	34900-4115	CHY							F		CPA1	SALEABLE			1	2
KEY OPTION E	YELLOW	DARK GRAY	LONG	34900-4114	CHY						E			CPA1	SALEABLE			1	2
KEY OPTION D	YELLOW	LIGHT GRAY	LONG	34900-4113	CHY					D				CPA1	SALEABLE			1	2
KEY OPTION C	YELLOW	DARK GRAY	LONG	34900-4112	CHY					C				CPA1	SALEABLE			1	2
KEY OPTION B	YELLOW	STONE GRAY	LONG	34900-4111	CHY			B						CPA1	SALEABLE			1	2
KEY OPTION A	YELLOW	BLACK	LONG	34900-4110	CHY		A							CPA1	SALEABLE			1	2

RING SEAL	COLOR	MATERIAL	COMMENTS
ISL	NATURAL	SPS/NYLON GF20	
CPA2	RED	PBT GF30	
CPA1	RED	PBT GF30	
TERMINAL HOUSING KEYING OPTION G	LIGHT GRAY	SPS/NYLON GF20	
TERMINAL HOUSING KEYING OPTION F	BLACK	SPS/NYLON GF20	
TERMINAL HOUSING KEYING OPTION E	DARK GRAY	SPS/NYLON GF20	
TERMINAL HOUSING KEYING OPTION D	LIGHT GRAY	SPS/NYLON GF20	
TERMINAL HOUSING KEYING OPTION C	DARK GRAY	SPS/NYLON GF20	
TERMINAL HOUSING KEYING OPTION B	STONE GRAY	SPS/NYLON GF20	
TERMINAL HOUSING KEYING OPTION A	BLACK	SPS/NYLON GF20	
MID LENGTH CONNECTOR HOUSING	BLACK	SPS/NYLON GF20	
CONNECTOR HOUSING	BLACK	SPS/NYLON GF20	UPDATED LATCH
CONNECTOR HOUSING	YELLOW	SPS/NYLON GF20	UPDATED LATCH
WIRE DRESS COVER STRAIGHT	BLACK	PA66	
WIRE DRESS COVER LEFT	BLACK	PA66	SOLD SEPARATELY SEE SD-160091-0001
WIRE DRESS COVER RIGHT	BLACK	PA66	
DESCRIPTION	COLOR	MATERIAL	COMMENTS

BOM/APPLICABLE COMPONENTS TABLE

ABREVIATION	COMPONENT
CHY	CONNECTOR HOUSING YELLOW
CHB	CONNECTOR HOUSING BLACK
CHBM	CONNECTOR HOUSING BLACK MID SHROUD
A	TERMINAL HOUSING KEY A
B	TERMINAL HOUSING KEY B
C	TERMINAL HOUSING KEY C
D	TERMINAL HOUSING KEY D
E	TERMINAL HOUSING KEY E
F	TERMINAL HOUSING KEY F
G	TERMINAL HOUSING KEY G
CPA	CPA
ISL	ISL
RING SEAL	RING SEAL
1	USCAR INTERFACE 120-S-004-1-Z02 SEE NOTE 1f FOR WEBSITE
2	MOLEX INLINE BLADE CONNECTOR SD-34899-6001

QUALITY SYMBOLS 	THIS DRAWING CONTAINS INFORMATION THAT IS PROPRIETARY TO MOLEX ELECTRONIC TECHNOLOGIES, LLC AND SHOULD NOT BE USED WITHOUT WRITTEN PERMISSION			
	EC NO: 624282 DRWN: HGBOR CHKD: KBORUSZEWSKI REV APPR: KBORUSZEWSKI	2019/09/16 2019/09/30 2019/09/30	GENERAL TOLERANCES (UNLESS SPECIFIED) ANGULAR TOL ± 3.0 ° 4 PLACES ± 3 PLACES ± 2 PLACES ± 0.1 1 PLACE ± 0.2 0 PLACES ± 0.5 DRAFT WHERE APPLICABLE MUST REMAIN WITHIN DIMENSIONS	DIMENSION UNITS: mm SCALE: 5:1 DRWN BY: MVANSLAMBROU DATE: 2012/05/03 CHKD BY: DATE: APPR BY: GGA DATE: 2012/12/13
			1.2MM 1X4, 1X6 RECPT. SEALED ASSEMBLY CABLE SEAL	
	PRODUCT CUSTOMER DRAWING		SERIES: 34900 MATERIAL NUMBER: SEE BOM CUSTOMER: GENERAL MARKET	DOCUMENT NUMBER: SD-34900-6001 DOC TYPE: PSD DOC PART: 001 SHEET NUMBER: 5 OF 7

1X6 RECEPTACLE SEALED ASSEMBLY BOM SHEET 1

KEYING OPTION D	BLACK	STONE GRAY	MID LENGTH	34900-6230			CHMB			D	CPA2	SALEABLE				3
KEYING OPTION C	BLACK	DARK GRAY	MID LENGTH	34900-6221			CHMB		C		CPA2	SALEABLE				3
KEYING OPTION B	BLACK	LIGHT GRAY	MID LENGTH	34900-6228			CHMB	B			CPA2	SALEABLE				3
KEYING OPTION A	BLACK	BLACK	MID LENGTH	34900-6219			CHMB	A			CPA2	SALEABLE				3
KEYING OPTION D	BLACK	STONE GARY	LONG	34900-6243			CHLB			D	CPA2	SALEABLE	1	2		
KEYING OPTION C	BLACK	DARK GRAY	LONG	34900-6242			CHLB		C		CPA2	SALEABLE	1	2		
KEYING OPTION B	BLACK	LIGHT GRAY	LONG	34900-6241			CHLB	B			CPA2	SALEABLE	1	2		
KEYING OPTION A	BLACK	BLACK	LONG	34900-6240			CHLB	A			CPA2	SALEABLE	1	2		
KEYING OPTION D	YELLOW	STONE GRAY	LONG	34900-6213	CHLY					D	CPA2	SALEABLE	1	2		
KEYING OPTION C	YELLOW	DARK GRAY	LONG	34900-6212	CHLY				C		CPA2	SALEABLE	1	2		
KEYING OPTION B	YELLOW	LIGHT GRAY	LONG	34900-6211	CHLY			B			CPA2	SALEABLE	1	2		
KEYING OPTION A	YELLOW	BLACK	LONG	34900-6210	CHLY			A			CPA2	SALEABLE	1	2		
KEYING OPTION D	BLACK	STONE GRAY	MID LENGTH	34900-6130			CHMB			D	CPA1	SALEABLE				3
KEYING OPTION C	BLACK	DARK GRAY	MID LENGTH	34900-6121			CHMB		C		CPA1	SALEABLE				3
KEYING OPTION B	BLACK	LIGHT GRAY	MID LENGTH	34900-6128			CHMB	B			CPA1	SALEABLE				3
KEYING OPTION A	BLACK	BLACK	MID LENGTH	34900-6119			CHMB	A			CPA1	SALEABLE				3
KEYING OPTION D	BLACK	STONE GARY	LONG	34900-6143			CHLB			D	CPA1	SALEABLE	1	2		
KEYING OPTION C	BLACK	DARK GRAY	LONG	34900-6142			CHLB		C		CPA1	SALEABLE	1	2		
KEYING OPTION B	BLACK	LIGHT GRAY	LONG	34900-6141			CHLB	B			CPA1	SALEABLE	1	2		
KEYING OPTION A	BLACK	BLACK	LONG	34900-6140			CHLB	A			CPA1	SALEABLE	1	2		
KEYING OPTION D	YELLOW	STONE GRAY	LONG	34900-6113	CHLY					D	CPA1	SALEABLE	1	2		
KEYING OPTION C	YELLOW	DARK GRAY	LONG	34900-6112	CHLY				C		CPA1	SALEABLE	1	2		
KEYING OPTION B	YELLOW	LIGHT GRAY	LONG	34900-6111	CHLY			B			CPA1	SALEABLE	1	2		
KEYING OPTION A	YELLOW	BLACK	LONG	34900-6110	CHLY			A			CPA1	SALEABLE	1	2		
ASSEMBLY DESCRIPTION	CONNECTOR HOUSING COLOR	TERMINAL CAVITY COLOR	OUTER HOUSING SHROUD LENGTH	ASSEMBLY PART NUMBER				A	B	C	D	CPA1	CPA2	STATUS	COMMENTS	DESIGNED TO MATE WITH DEVICE CONNECTION

DESCRIPTION	COLOR	MATERIAL	COMMENTS
RING SEAL	BURNT RED	INHERENTLY LUBRICATED SILICONE	
ISL	NATURAL	SPS/NYLON GF20	
CPA2	RED	PBT GF30	
CPA1	RED	PBT GF30	
TERMINAL HOUSING KEYING OPTION D	STONE GRAY	SPS/NYLON GF20	
TERMINAL HOUSING KEYING OPTION C	DARK GRAY	SPS/NYLON GF20	
TERMINAL HOUSING KEYING OPTION B	LIGHT GRAY	SPS/NYLON GF20	
TERMINAL HOUSING KEYING OPTION A	BLACK	SPS/NYLON GF20	
CONNECTOR HOUSING MID LENGTH	BLACK	SPS/NYLON GF20	UPDATED LATCH
CONNECTOR HOUSING LONG	BLACK	SPS/NYLON GF20	UPDATED LATCH
CONNECTOR HOUSING LONG	YELLOW	SPS/NYLON GF20	UPDATED LATCH
WIRE DRESS COVER STRAIGHT	BLACK	PA66	SOLD SEPARATELY SEE SD-160091-0001
WIRE DRESS COVER LEFT	BLACK	PA66	
WIRE DRESS COVER RIGHT	BLACK	PA66	
DESCRIPTION	COLOR	MATERIAL	COMMENTS

BOM / APPLICABLE COMPONENTS TABLE

LEGEND TABLE

ABREVIATION	COMPONENT
CHLY	CONNECTOR HOUSING LONG YELLOW
CHLB	CONNECTOR HOUSING LONG BLACK
CHMB	CONNECTOR HOUSING MEDIUM BLACK
A	TERMINAL HOUSING KEY A
B	TERMINAL HOUSING KEY B
C	TERMINAL HOUSING KEY C
D	TERMINAL HOUSING KEY D
CPA	CPA
ISL	ISL
RING SEAL	RING SEAL
1	USCAR INTERFACE 120-S-006-1-Z02 SEE NOTE 1f FOR WEBSITE
2	MOLEX INLINE BLADE CONNECTOR SD-34899-6001
3	USCAR INTERFACE 120-S-006-1-Z04 SEE NOTE 1f FOR WEBSITE

QUALITY SYMBOLS 	THIS DRAWING CONTAINS INFORMATION THAT IS PROPRIETARY TO MOLEX ELECTRONIC TECHNOLOGIES, LLC AND SHOULD NOT BE USED WITHOUT WRITTEN PERMISSION				
	EC NO: 624282 DRWN: HGBOR CHKD: KBORUSZEWSKI REV APPR: KBORUSZEWSKI	2019/09/16 2019/09/30 2019/09/30	GENERAL TOLERANCES (UNLESS SPECIFIED) ANGULAR TOL ± 3.0 ° 4 PLACES ± 3 PLACES ± 2 PLACES ± 0.1 1 PLACE ± 0.2 0 PLACES ± 0.5	DIMENSION UNITS: mm SCALE: 2:1 DRWN BY: MVANSLAMBROU DATE: 2012/05/03 CHKD BY: DATE: APPR BY: GGA DATE: 2012/12/13	
	DRAFT WHERE APPLICABLE MUST REMAIN WITHIN DIMENSIONS			D:	PRODUCT CUSTOMER DRAWING
	A14	34900	SEE TABLE	GENERAL MARKET	1.2MM 1X4, 1X6 RECPT. SEALED ASSEMBLY CABLE SEAL


OBSELETE PART NUMBERS

34900-4026	OBSELETE
34900-4025	OBSELETE
34900-4024	OBSELETE
34900-4023	OBSELETE
34900-4022	OBSELETE
34900-4021	OBSELETE
34900-4020	OBSELETE
34900-4016	OBSELETE
34900-4015	OBSELETE
34900-4014	OBSELETE
34900-4013	OBSELETE
34900-4012	OBSELETE
34900-4011	OBSELETE
34900-4010	OBSELETE
ASSEMBLY PART NUMBER	STATUS

1X4

34900-6030	OBSELETE
34900-6021	OBSELETE
34900-6028	OBSELETE
34900-6019	OBSELETE
34900-6043	OBSELETE
34900-6042	OBSELETE
34900-6041	OBSELETE
34900-6040	OBSELETE
34900-6013	OBSELETE
34900-6012	OBSELETE
34900-6011	OBSELETE
34900-6010	OBSELETE
ASSEMBLY PART NUMBER	STATUS

1X6

THIS DRAWING CONTAINS INFORMATION THAT IS PROPRIETARY TO MOLEX ELECTRONIC TECHNOLOGIES, LLC AND SHOULD NOT BE USED WITHOUT WRITTEN PERMISSION										
DIMENSION UNITS	SCALE	Material:								
mm	1:1	Heat treat:								
GENERAL TOLERANCES (UNLESS SPECIFIED)		Finish:			1.2MM 1X4, 1X6 RECPT. SEALED ASSEMBLY CABLE SEAL					
ANGULAR TOL ± 3.0 °		CURRENT REV DESC:								
4 PLACES	±	EC NO: 624282 DRWN: HGIBOR 2019/09/16 CHK'D: KBORUSZEWSKI 2019/09/30 APPR: KBORUSZEWSKI 2019/09/30 ORIG DRWN BY: MVANSLAMBROU 2012/05/03			PRODUCT CUSTOMER DRAWING					
3 PLACES	±				DOCUMENT NUMBER					
2 PLACES	± 0.1				SD-34900-6001					
1 PLACE	± 0.2				PSD 001 A14					
0 PLACES	± 0.5	THIRD ANGLE PROJECTION			DRAWING		SERIES		SHEET NUMBER	
TOOL NUMBER		D-SIZE			34900		MATERIAL NUMBER		GENERAL MARKET	
DOCUMENT STATUS		P1		RELEASE DATE		2019/09/30		20:42:58		7 OF 7