

NOTES

1. 一般公差：±0.5
GENERAL TOLERANCES: ±0.5
2. 反り：2MAX.
WARP: 2MAX.
3. 1トレイの梱包数：60個
QUANTITY IN ONE TRAY: 60 PCS.
4. 標準梱包数：300個
STANDARD PACKAGING QUANTITY: 300 PCS.
5. トレイは、180°反転させ交互に重ねる。
TRAYS SHOULD BE PILED ALTERNATELY.

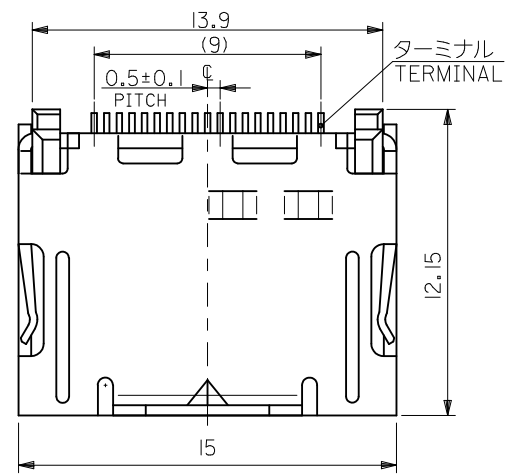
500254-1942
500254-1932
500254-1941
500254-1931
適用製品番号 APPLICABLE PART NO.

MATERIAL

POLYSTYRENE SHEET (t=1.0)
WHITE

ADD NEW P/N ECNO: S2012-0578 DRWN: ZENG CHKD: JESSIECHUA APPR: NAGESHKN 2012/03/01 2012/03/15 2012/03/19	GENERAL TOLERANCES (UNLESS SPECIFIED)		DIMENSION STYLE MM ONLY		SCALE	DESIGN UNITS METRIC	TRAY FOR HDMI CONN. R/A WITH FLANGE -LEAD FREE- MOLEX MOLEX INCORPORATED DOCUMENT NO. SD-500254-004 SHEET NO. 1 OF 1
	10 UNDER	± ---	DRAWN BY	DATE	TITLE		
	10 OVER 30 UNDER	± ---	T. HARUYAMA	'04/02/25			
	30 OVER	± ---	M. ENOMOTO	'04/02/25			
REV	DESCRIPTION	ANGULAR	± --- °	APPROVED BY	DATE		
C2		DRAFT WHERE APPLICABLE MUST REMAIN WITHIN DIMENSIONS		M. ENOMOTO	'04/02/25		
				MATERIAL NO.	59410-0097		
				SIZE	A3	THIS DRAWING CONTAINS INFORMATION THAT IS PROPRIETARY TO MOLEX INCORPORATED AND SHOULD NOT BE USED WITHOUT WRITTEN PERMISSION	

F



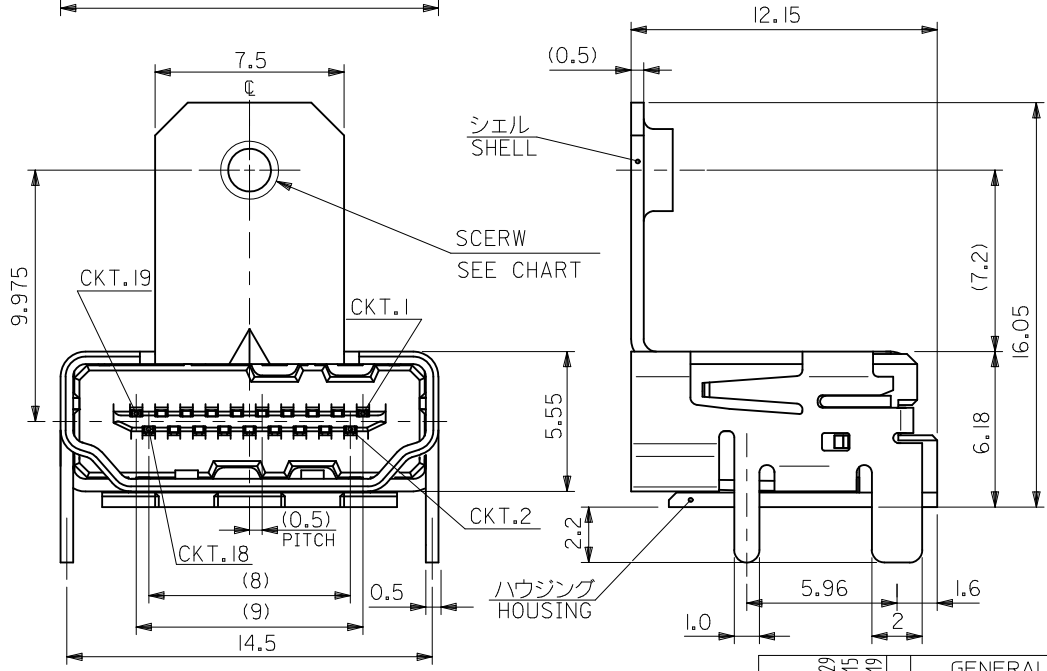
注記 1. 材質
 NOTE MATERIAL
 ハウジング: ガラス入り耐熱樹脂
 HOUSING: GLASS FULLED HEAT-RESISTED RESIN, UL94V-0
 ターミナル: 銅合金
 TERMINAL: COPPER ALLOY
 シェル: 銅合金
 SHELL: COPPER ALLOY

2. めっき仕様
 PLATING
 ターミナル: <接点部> 金めっき 0.76μm (A) :0.76 MICROMETER MINIMUM.
 TERMINAL <CONTACT AREA> GOLD(Au) (A) :0.76 MICROMETER MINIMUM.
 (B) :GOLD FLASH OVER Pd/Ni
 <半田付け部> 錫めっき 1.0μm (B) :1.0 MICROMETER MINIMUM.
 <SOLDER TAIL AREA> TIN(Sn) 1.0 MICROMETER MINIMUM.
 <下地> ニッケルめっき 2.0μm (C) :2.0 MICROMETER MINIMUM.
 <UNDER-PLATING> NICKEL(Ni) 2 MICROMETER MINIMUM.

シェル: 錫めっき 1.0μm (D) :1.0 MICROMETER MINIMUM.
 SHELL: TIN(Sn) 1.0 MICROMETER MINIMUM.
 下地ニッケルめっき 1.27μm (E) :1.27 MICROMETER MINIMUM.
 UNDER-PLATING NICKEL (Ni) 1.27 MICROMETER MINIMUM.

E

D



3. ネジ締めトルク
 SCREWING TORQUE

	推奨ネジ締めトルク RECOMMENDED SCREWING TORQUE	最大許容ネジ締めトルク TORQUE LIMIT	PLATING
500254-1931	0.343N-m {3.5kgf-cm} MAXIMUM.	0.392N-m {4.0kgf-cm} MAXIMUM.	2-(A)
500254-1941	0.294N-m {3.0kgf-cm} MAXIMUM.	0.343N-m {3.5kgf-cm} MAXIMUM.	
500254-1932	0.343N-m {3.5kgf-cm} MAXIMUM.	0.392N-m {4.0kgf-cm} MAXIMUM.	2-(B)
500254-1942	0.294N-m {3.0kgf-cm} MAXIMUM.	0.343N-m {3.5kgf-cm} MAXIMUM.	

4. テール部の平坦度: 0.1 MAXIMUM.
 COPLANALITY OF TAIL: 0.1 MAXIMUM.

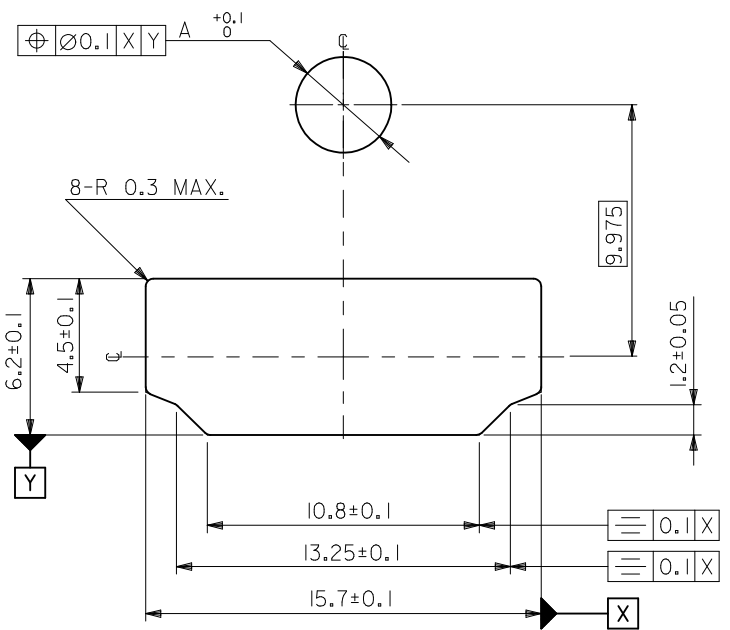
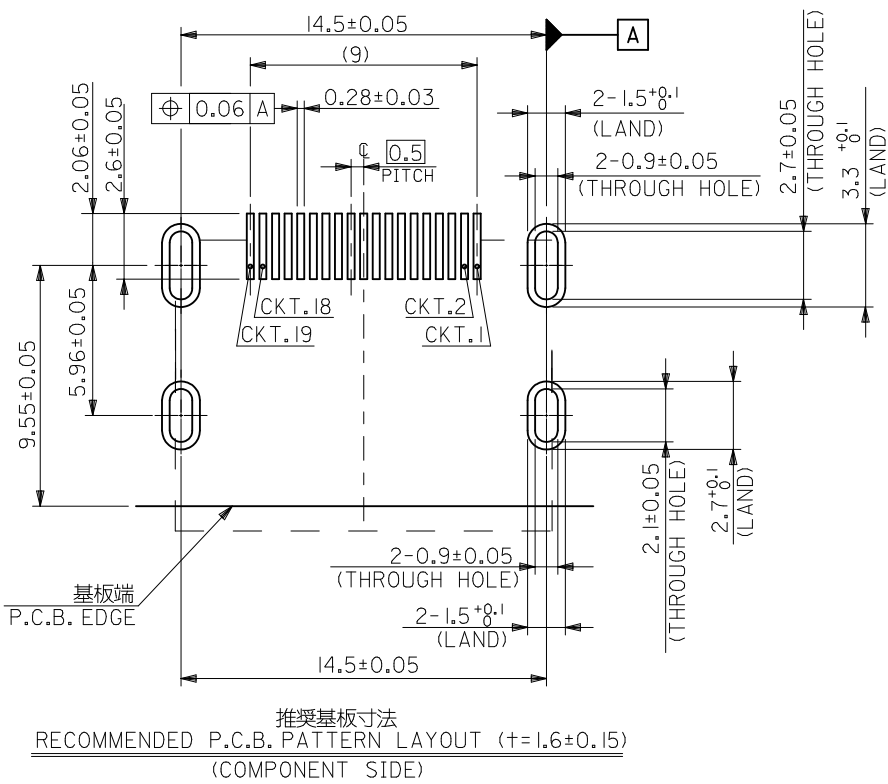
No.4-40UNC	500254-1942	19
M3x0.5	500254-1932	
No.4-40UNC	500254-1941	19
M3x0.5	500254-1931	
SCREW	TRAY PACKAGING	CIRCUITS
	MATERIAL NO.	

C

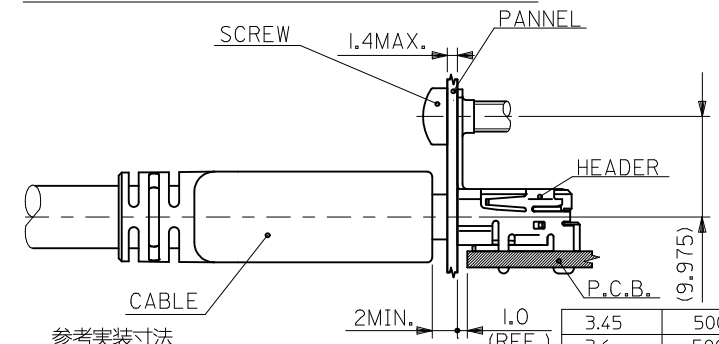
B

A

ADD NEW P/N EC NO: S2012-0578 DRWN: ZENG 2012/07/29 CHKD: JESSIECHUA 2012/03/15 APPR: NAGESHKN 2012/03/19	GENERAL TOLERANCES (UNLESS SPECIFIED)		DIMENSION STYLE MM ONLY		SCALE	DESIGN UNITS METRIC	THIRD ANGLE PROJECTION	
	10 UNDER	±0.2	DRAWN BY K. TOYODA	DATE '04/03/26	TITLE HDMI RIGHT ANGLE HEADER ASSY WITH FLANGE -LEAD FREE-	MOLEX INCORPORATED DOCUMENT NO. SD-500254-006 SHEET NO. 1 OF 2		
	10 OVER 30 UNDER	±0.25	CHECKED BY K. ASAKAWA	DATE '04/03/26				
	30 OVER	±0.3	APPROVED BY S. ICHIKAWA	DATE '04/03/26	THIS DRAWING CONTAINS INFORMATION THAT IS PROPRIETARY TO MOLEX INCORPORATED AND SHOULD NOT BE USED WITHOUT WRITTEN PERMISSION			
REV C2	DESCRIPTION ANGULAR ±3 ° DRAFT WHERE APPLICABLE MUST REMAIN WITHIN DIMENSIONS			SIZE A3				



参考パネル寸法
REFERENCE PANEL CUT OUT DIMENSION.



3.45	500254-1942
3.6	500254-1932
3.45	500254-1941
3.6	500254-1931
"A"	TRAY PACKAGE

ADD NEW P/N EC NO: S2012-0578 DRWN: JZENG 2012/07/29 CHKD: JESSIECHUA 2012/03/15 APPR: NAGESHKN 2012/03/19	DESCRIPTION REV: C2	GENERAL TOLERANCES (UNLESS SPECIFIED)		DIMENSION STYLE MM ONLY		SCALE	DESIGN UNITS METRIC	THIRD ANGLE PROJECTION	
		10 UNDER	±0.2	DRAWN BY K. TOYODA	DATE '04/03/26	TITLE HDMI RIGHT ANGLE HEADER ASSY WITH FLANGE -LEAD FREE-	MOLEX INCORPORATED		
		10 OVER 30 UNDER	±0.25	CHECKED BY K. ASAKAWA	DATE '04/03/26	DOCUMENT NO. SD-500254-006			
		30 OVER	±0.3	APPROVED BY S. ICHIKAWA	DATE '04/03/26	SEE CHART			
ANGULAR ±3 ° DRAFT WHERE APPLICABLE MUST REMAIN WITHIN DIMENSIONS		MATERIAL NO. SIZE A3		THIS DRAWING CONTAINS INFORMATION THAT IS PROPRIETARY TO MOLEX INCORPORATED AND SHOULD NOT BE USED WITHOUT WRITTEN PERMISSION					