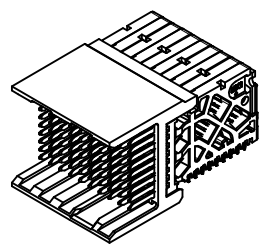
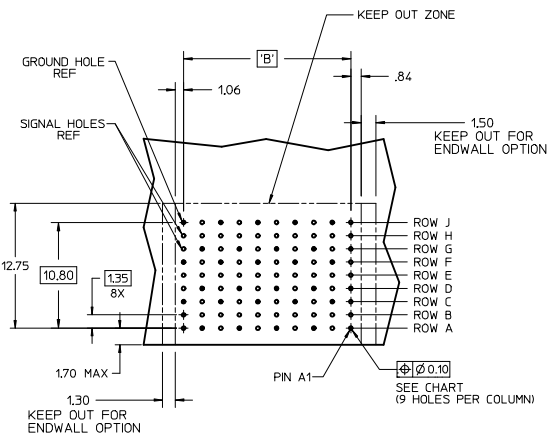
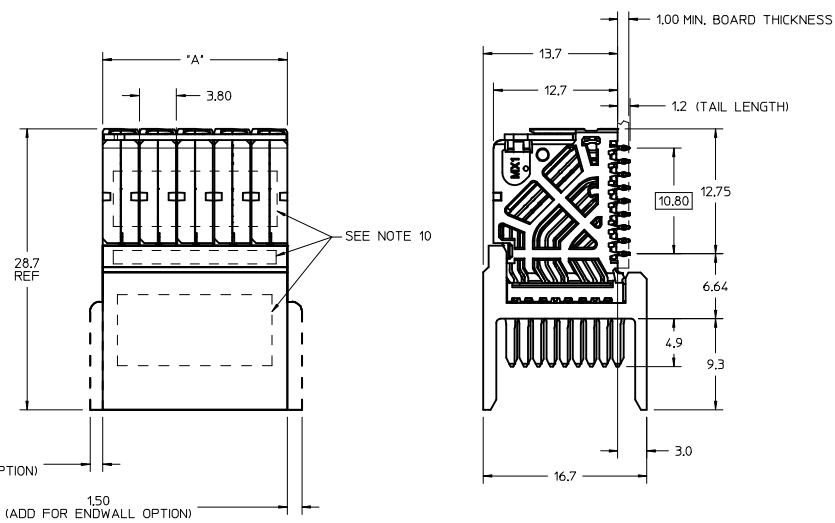


MATERIAL NUMBER	# OF COLUMNS	# OF DIFF PAIR	DIM 'A' MAX	DIM 'B'	PTH $\phi$
170510-18**	8	24	15.20	13.30	0.46+0.05
170510-11**	10	30	19.00	17.10	
170510-18**	8	24	15.20	13.30	0.39+0.05
170510-11**	10	30	19.00	17.10	

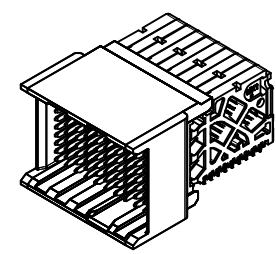
### 170510-1\*\*\*

- MODULE TYPE  
1 = UNGUIDED, LEAD-FREE
- PIN LENGTH (P)  
4 = 4.90 (0.46 PTH)  
5 = 5.50 (0.46 PTH)  
7 = 4.90 (0.39 PTH)  
8 = 5.50 (0.39 PTH)
- # OF COLUMNS  
1 = 10 COLUMNS  
8 = 8 COLUMNS
- END WALL OPTIONS  
0 = OPEN ENDS  
1 = LEFT ENDWALL  
2 = DUAL ENDWALL  
3 = RIGHT ENDWALL

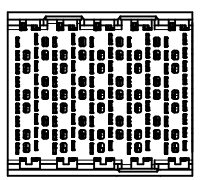
- NOTES:
- MATERIALS: HOUSING - LIQUID CRYSTAL POLYMER (LCP), GLASS-FILLED, UL94V-0  
TERMINALS - HIGH PERFORMANCE COPPER ALLOY SELECTIVE TIN ON PCB TAILS, NICKEL OVERALL.
  - FINISH: 304M SELECTIVE GOLD IN CONTACT AREA.
  - REFER TO MOLEX PRODUCT SPECIFICATION PS-170540-999 FOR PERFORMANCE SPECIFICATIONS AND ADDITIONAL PCB INFORMATION.
  - EACH SIGNAL WAFER CONTAINS 2 COLUMNS OF TERMINALS.
  - PRODUCT IS PACKAGED PER PK-70873-041.
  - THIS PART CONFORMS TO CLASS B REQUIREMENTS OF COSMETIC SPEC PS-45499-002.
  - REFER TO MOLEX SALES DRAWING SD-170340-001 FOR THE MATING RECEPTACLES.
  - REFER TO MOLEX PCB ROUTING GUIDE AS-76060-990 FOR ANTIPAD AND ROUTING RECOMMENDATIONS.
  - GROUND PATHS ARE NOT DISCRETE CIRCUITS.
  - MARKING: LOCATED APPROXIMATELY AS SHOWN, PART NUMBER AND DATE CODE.



OPEN END OPTION



DUAL WALL OPTION

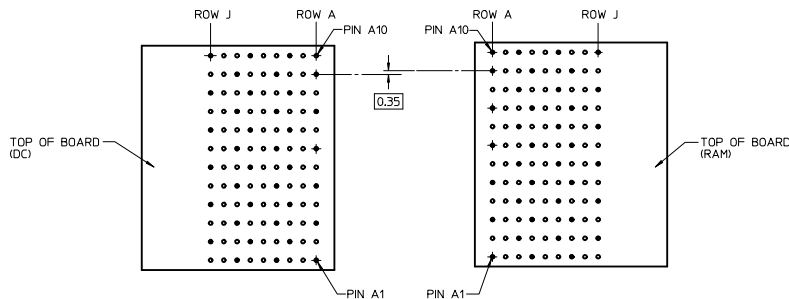


<b>REV'D 12, 14, 16-COL OPTIONS</b> IEC NO. UICP2017-2489 DRAWN BY: DRWNSVARARA CHKD: TELO APPR: TELO DATE: 2017/05/17	QUALITY SYMBOLS	GENERAL TOLERANCES (UNLESS SPECIFIED)	DIMENSION STYLE	SCALE	DESIGN UNITS	THIRD ANGLE PROJECTION
	▽=0	4 PLACES ± mm ± INCH	MM ONLY	4:1	METRIC	☉
	▽=0	3 PLACES ± 0.13 ± ---				
	▽=0	2 PLACES ± 0.25 ± ---				
		ANGULAR ±1/2°	MATERIAL NO.	DOCUMENT NO.		SHEET NO.
		DRAFT WHERE APPLICABLE MUST REMAIN WITHIN DIMENSIONS	SEE CHART	SD-170510-0002		1 OF 2
			THIS DRAWING CONTAINS INFORMATION THAT IS PROPRIETARY TO MOLEX INCORPORATED AND SHOULD NOT BE USED WITHOUT WRITTEN PERMISSION			

TITLE  
**IMPACT 3P 85 OHM RAM SIGNAL MODULE ASSEMBLY UNGUIDED SALES DRAWING**

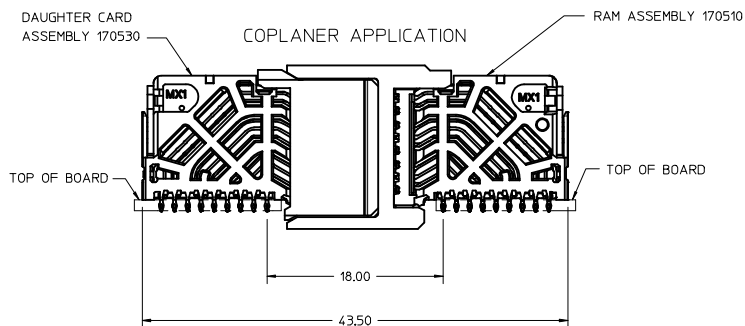


20 19 18 17 16 15 14 13 12 11 10 9 8 7 6 5 4 3 2 1



COPLANAR MATED SIGNAL PATHS

DC PIN A10-----RAM PIN A10  
 DC PIN A1-----RAM PIN A1



SEE SHEET 1 IEC NO: UCF2017-2489 DRAWN: VARARA CHKD: APPR: TELO 2017/05/17 2017/05/12	QUALITY SYMBOLS	GENERAL TOLERANCES (UNLESS SPECIFIED)	DIMENSION STYLE	SCALE	DESIGN UNITS	THIRD ANGLE PROJECTION
	▽=0	mm INCH	MM ONLY	4:1	METRIC	
	▽=0	4 PLACES ± --- ± ---	DRAWN BY	DATE	TITLE	
	▽=0	3 PLACES ± --- ± ---	MKRAUSE	2013/05/31	IMPACT 3P 85 OHM RAM SIGNAL MODULE ASSEMBLY	
	2 PLACES ± 0.13 ± ---	CHECKED BY	DATE	UNGUIDED SALES DRAWING		
	1 PLACE ± 0.25 ± ---	APPROVED BY	DATE	molex		
	0 PLACE ± --- ± ---	TELO	2014/03/13	DOCUMENT NO.		SHEET NO.
	ANGULAR ±1/2°	MATERIAL NO.		SD-170510-0002		2 OF 2
DRAFT WHERE APPLICABLE MUST REMAIN WITHIN DIMENSIONS		SEE CHART		THIS DRAWING CONTAINS INFORMATION THAT IS PROPRIETARY TO MOLEX INCORPORATED AND SHOULD NOT BE USED WITHOUT WRITTEN PERMISSION		

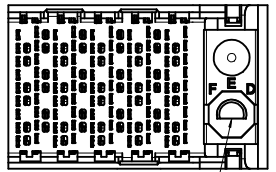
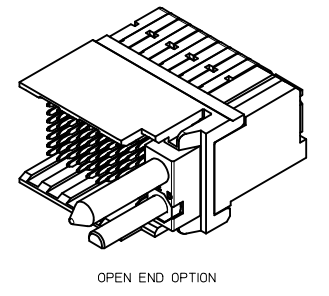
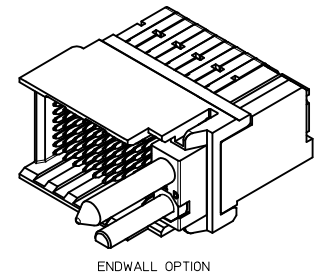
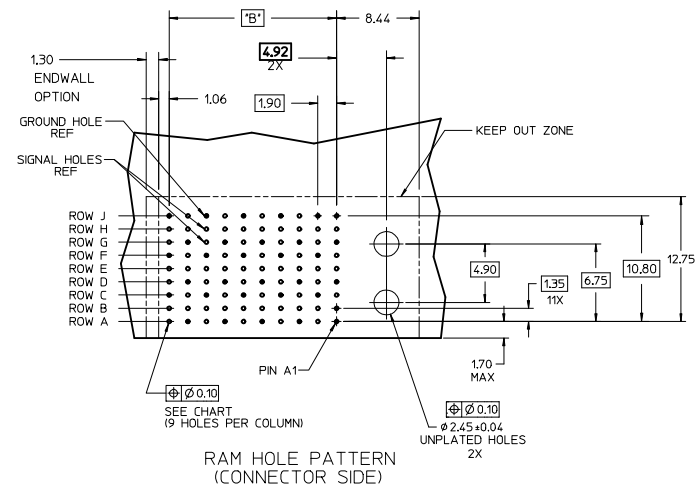
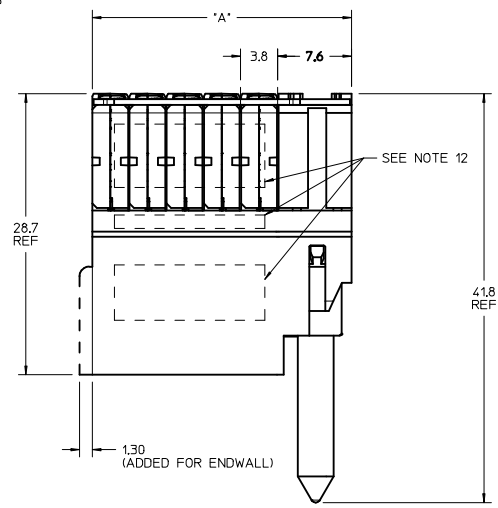
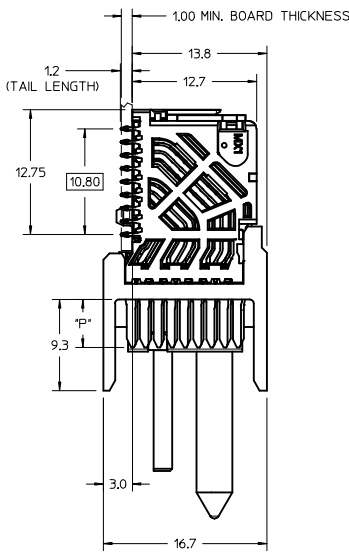
19 18 17 16 15 14 13 12 11 10 9 8 7 6 5 4 3 2 1

MATERIAL NUMBER	# OF COLUMNS	# OF DIFF PAIR	DIM 'A' MAX	DIM 'B'	PTH $\phi$
170510-8**	8	24	22.80	13.30	0.46±0.05
170510-8**					0.39±0.05
170510-11**	10	30	26.60	17.10	0.46±0.05
170510-11**					0.39±0.05

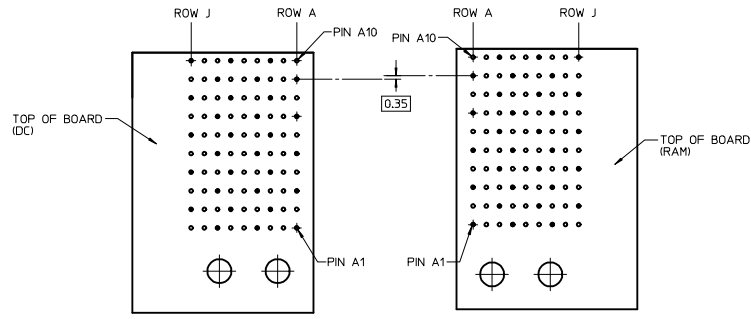
170510-\*\*\*\*

- MODULE TYPE  
 5 = RIGHT GUIDED, LEAD-FREE  
 9 = RIGHT GUIDED, LEAD-FREE W/ ENDWALL
- PIN LENGTH (P)  
 4 = 4.90 (0.46 PTH)  
 5 = 5.50 (0.46 PTH)  
 7 = 4.90 (0.39 PTH)  
 8 = 5.50 (0.39 PTH)
- # OF COLUMNS  
 1 = 10 COLUMNS  
 8 = 8 COLUMNS
- KEY ORIENTATION  
 0 = NO KEY  
 1 = A 5 = E  
 2 = B 6 = F  
 3 = C 7 = G  
 4 = D 8 = H

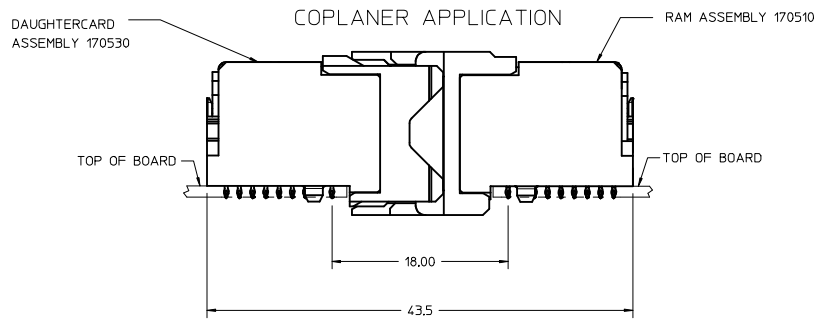
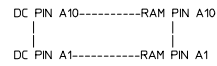
- NOTES:  
 1. MATERIALS: HOUSING - LIQUID CRYSTAL POLYMER (LCP), GLASS-FILLED, UL94V-0  
 TERMINALS - HIGH PERFORMANCE COPPER ALLOY  
 2. FINISH: 30NM SELECTIVE GOLD IN CONTACT AREA, SELECTIVE TIN ON PCB TAILS, NICKEL OVERALL.  
 3. REFER TO MOLEX PRODUCT SPECIFICATION PS-170540-999 FOR PERFORMANCE SPECIFICATIONS AND ADDITIONAL PCB INFORMATION.  
 4. EACH SIGNAL WAFER CONTAINS 2 COLUMNS OF TERMINALS.  
 5. PRODUCT IS PACKAGED PER PK-70873-041.  
 6. THIS PART CONFORMS TO CLASS B REQUIREMENTS OF COSMETIC SPEC PS-45499-002.  
 7. REFER TO MOLEX SALES DRAWING SD-170340-002 FOR THE MATING RECEPTACLES.  
 8. REFER TO MOLEX PCB ROUTING GUIDE AS-76060-990 FOR ANTIPAD AND ROUTING RECOMMENDATIONS.  
 9. CONNECTORS SUPPLIED WITH A 2-32 SCREW 73726-0000 (9.5mm ±.38mm THREADABLE SCREW LENGTH). THE MAX BOARD THICKNESS IS 4.4mm.  
 10. GUIDE RIGHT RAM MATES WITH A GUIDE LEFT DAUGHTERCARD.  
 11. GROUND PATHS ARE NOT DISCRETE CIRCUITS.  
 12. MARKING: LOCATED APPROXIMATELY AS SHOWN. PART NUMBER AND DATE CODE.



REV D 12, 14, 16-COL OPTIONS DEC NO. UICP2017-2489 DRAWN: VARVARA 2017/05/17 CHKD: APPR: TELO 2017/05/12	QUALITY SYMBOLS	GENERAL TOLERANCES (UNLESS SPECIFIED)	DIMENSION STYLE	SCALE	DESIGN UNIT	THIRD ANGLE PROJECTION	
	▽=0	4 PLACES ± --- ± ---	MM ONLY	4:1	METRIC		
	▽=0	3 PLACES ± --- ± ---					
	▽=0	2 PLACES ± 0.13 ± ---					
		1 PLACE ± 0.25 ± ---					
		0 PLACE ± --- ± ---					
		ANGULAR ±1/2°	MATERIAL NO.	DOCUMENT NO.			
		DRAFT WHERE APPLICABLE MUST REMAIN WITHIN DIMENSIONS	SEE CHART	SD-170510-0004			
			DRAWN BY DATE		TITLE		
			MCKRAUSE 2013/05/31		IMPACT 3P 85 OHM RAM RIGHT GUIDED ASSEMBLY SALES DRAWING		
			CHECKED BY DATE				
			TELO 2016/02/22				
			APPROVED BY DATE				
			TELO 2014/03/19				
			SIZE D		SHEET NO. 1 OF 2		
			THIS DRAWING CONTAINS INFORMATION THAT IS PROPRIETARY TO MOLEX INCORPORATED AND SHOULD NOT BE USED WITHOUT WRITTEN PERMISSION				



COPLANAR MATED SIGNAL PATHS



<b>PROPOSED</b> IEC NO. UCF2017-2489 DRAWN: VARARA CHKD: A2 APPR: TELO DATE: 2017/05/17	QUALITY SYMBOLS	GENERAL TOLERANCES (UNLESS SPECIFIED)	DIMENSION STYLE	SCALE	DESIGN UNITS	THIRD ANGLE PROJECTION
	$\nabla=0$ $\nabla=0$ $\nabla=0$	mm INCH 4 PLACES ± --- ± --- 3 PLACES ± --- ± --- 2 PLACES ± 0.13 ± --- 1 PLACE ± 0.25 ± --- 0 PLACE ± --- ± ---	MM ONLY	4:1	METRIC	
	DRAFT WHERE APPLICABLE MUST REMAIN WITHIN DIMENSIONS	ANGULAR ±1/2° MATERIAL NO. SEE CHART SIZE D	DRAWN BY: MKRAUSE CHECKED BY: TELO APPROVED BY: TELO DATE: 2013/05/31 DATE: 2016/02/22 DATE: 2014/03/19	TITLE: IMPACT 3P 85 OHM RAM RIGHT GUIDED ASSEMBLY SALES DRAWING 	DOCUMENT NO. SD-170510-0004 SHEET NO. 2 OF 2	
	THIS DRAWING CONTAINS INFORMATION THAT IS PROPRIETARY TO MOLEX INCORPORATED AND SHOULD NOT BE USED WITHOUT WRITTEN PERMISSION					