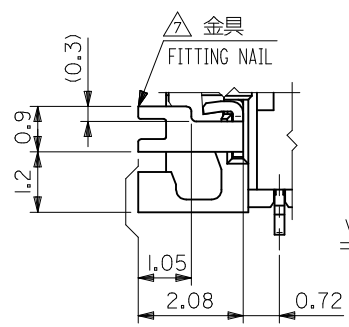


SECT. J-J  
SCALE 20:1

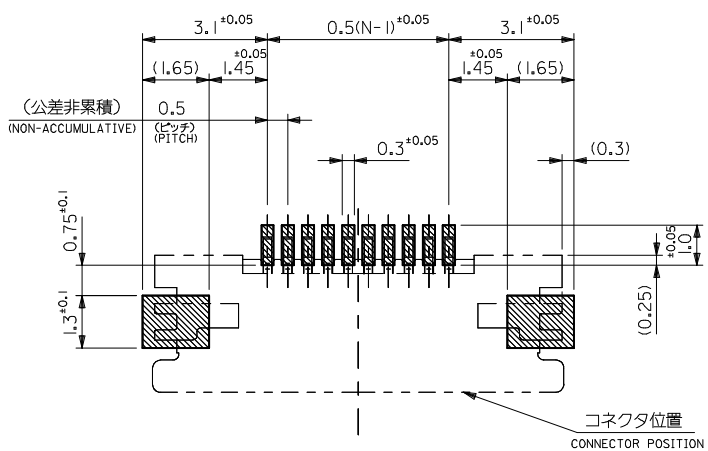
0.28 <sup>+0.03</sup>	13.65	17	12.5	18.2	54550-2633	26
	12.65	16	11.5	17.2	54550-2433	24
0.3 <sup>+0.03</sup>	11.65	15	10.5	16.2	54550-2233	22
	11.15	14.5	10	15.7	54550-2133	21
	10.65	14	9.5	15.2	54550-2033	20
	10.15	13.5	9	14.7	54550-1933	19
	9.65	13	8.5	14.2	54550-1833	18
	9.15	12.5	8	13.7	54550-1733	17
	8.65	12	7.5	13.2	54550-1633	16
	8.15	11.5	7	12.7	54550-1533	15
	7.65	11	6.5	12.2	54550-1433	14
	7.15	10.5	6	11.7	54550-1333	13
	6.65	10	5.5	11.2	54550-1233	12
	6.15	9.5	5	10.7	54550-1133	11
	5.65	9	4.5	10.2	54550-1033	10
	5.15	8.5	4	9.7	54550-0933	9
	4.65	8	3.5	9.2	54550-0833	8
	4.15	7.5	3	8.7	54550-0733	7
	3.65	7	2.5	8.2	54550-0633	6
	3.15	6.5	2	7.7	54550-0533	5
2.65	6.0	1.5	7.2	54550-0433	4	
THICKNESS OF FPC	D	C	B	A	EMBOSSED TAPE ORDER No. オ-ダ-番	種数 Ck+

CONNECTOR SERIES NO. : 54550-\*\*22



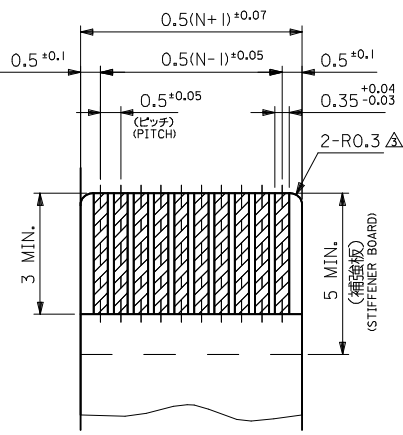
VIEW H

REVISED REV A	EC NO: J2013-1168	DESCRIPTION 10 UNDER 10 OVER 30 UNDER 30 OVER ANGULAR DRAFT WHERE APPLICABLE MUST REMAIN WITHIN DIMENSIONS	GENERAL TOLERANCES (UNLESS SPECIFIED)	DIMENSION STYLE MM ONLY	SCALE ---	DESIGN UNITS METRIC	THIRD ANGLE PROJECTION	
	DRM:NASANUMA 2013/04/15		10 UNDER ±0.2	DRAWN BY NKONDO	DATE 2012/09/13	TITLE 0.5MM FPC CONN ZIF R/A HOUSING ASSY (UPPER CONTACT)		
	CHKD:KATAHASHI 2013/04/16		10 OVER 30 UNDER ±0.25	CHECKED BY KTAKAHASHI	DATE 2012/09/13			
	APPR:KMORI KAWA 2013/04/25		30 OVER ±0.3	APPROVED BY KMORI KAWA	DATE 2013/03/15			
	ANGULAR ±3 °		SEE CHART	MATERIAL NO.	DOCUMENT NO. SD-54550-075			
			DRAFT WHERE APPLICABLE MUST REMAIN WITHIN DIMENSIONS	SIZE A3	THIS DRAWING CONTAINS INFORMATION THAT IS PROPRIETARY TO MOLEX INCORPORATED AND SHOULD NOT BE USED WITHOUT WRITTEN PERMISSION			

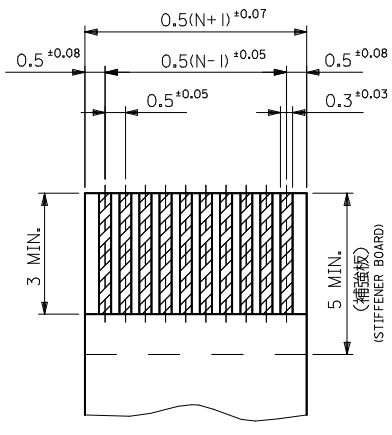


推奨基板レイアウト  
RECOMMENDED P.C. BOARD  
PATTERN DIMENSION  
(マウント面)  
(MOUNTING SIDE)

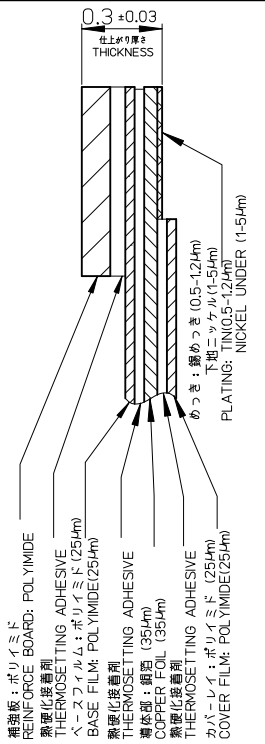
マスク厚 : 100 μm  
マスク開口率 : 100%  
SCREEN THICKNESS : 100 μm  
SCREEN OPEN TATIO : 100%



適合FPC推奨寸法  
APPLICABLE FPC  
RECOMMENDED DIMENSION  
(仕上がり厚さ:表参照)  
(THICKNESS:SEE CHART)



適合FFC推奨寸法  
APPLICABLE FFC  
RECOMMENDED DIMENSION  
(仕上がり厚さ:表参照)  
(THICKNESS:SEE CHART)



FPC構成推奨仕様  
STRUCTURE OF FPC

注記 NOTES

1. 使用材料 MATERIAL
- ハウジング : 液晶ホリマー (LOP)、ナチュラル(白色)、ガラス充填、UL94V-0  
LIQUID CRYSTAL POLYMER, NATURAL(WHITE), GLASS FILLED, UL-94V0
- アクチュエータ : ホリフェニサルファイド(PPS)、ナチュラル(茶色)ガラス充填、UL94V-0  
POLYPHENYLENE SULFIDE, NATURAL(BROWN), GLASS FILLED, UL-94V0
- ターミナル : リン青銅 (t=0.2)  
TERMINAL PHOSPHOR BRONZE (t=0.2)
- 金具 : リン青銅 (t=0.2)、FITTING NAIL PHOSPHOR BRONZE (t=0.2)
2. めっき仕様 PLATING  
ターミナル TERMINAL  
銅銀ビスマメッキ(1.0 μm以上)  
下地: ニッケルメッキ(1.0 μm以上)  
TIN SILVER BISMUTH PLATING (1.0 MICROMETER MINIMUM)  
UNDER PLATE : NICKEL PLATING (1.0 MICROMETER MINIMUM)
- 金具 FITTING NAIL  
銅メッキ(1.0 μm以上)  
下地: ニッケルメッキ(1.0 μm以上)  
TIN PLATING  
TIN PLATING (1.0 MICROMETER MINIMUM)  
UNDER PLATE : NICKEL PLATING (1.0 MICROMETER MINIMUM)
3. RO.3はFPCの導体部にかからないこと  
RO.3 MUST NOT BE OVERLAPED TO PATTERN OF FPC.
4. エンボステープ梱包時は、アクチュエータがロックした状態とする。  
IN THE PACKAGE, ACTUATOR OF PART NO.54550-\*\*-22 SHOULD BE LOCKED.
- △ ソルダーテール半田付け面のズレ量、及び金具半田付け面のズレ量は、基準面 Z に対し上方向 OMAX.、下方向 0.15MAX.とし、相互のバラツキ量は0.1MAX.とする。  
MISALIGNMENT OF SOLDER TAILS AND FITTING NAILS FROM UPPER DIRECTION: 0 MAX., LOWER DIRECTION: 0.15 MAX. OFFSET BETWEEN UPPER AND LOWER 0.1 MAX.
- △ 偶数種に適用。  
APPLY FOR EVEN CIRCUIT.
- △ パターンはくり止め用金具 FITTING NAIL FOR PREVENTION OF PEELING OF P.C.B. PATTERN.
8. ELV及びRoHS適合品  
ELV AND RoHS COMPLIANT

FPC/FFCについて ABOUT FPC/FFC

打ち抜き方向は導体側から補強板側を推奨します。  
導体部については軌跡銅35 μmまたは50 μmを推奨します。  
RECOMMENDED PUNCHING DIRECTION: FROM CONDUCTOR SIDE TO STIFFENER SIDE  
RECOMMENDED CONDUCTOR SPEC: SOFT COPPER FOIL  
RECOMMENDED CONDUCTOR THICKNESS: 35 MICROMETER OR 50 MICROMETER

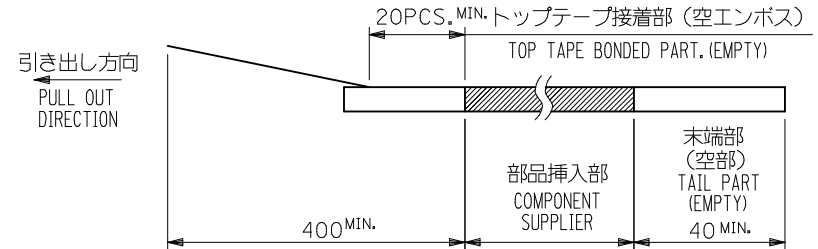
FPCについて ABOUT FPC

補強フィルム材質はポリイミドを推奨します。ベースフィルムは25 μmを推奨します。  
接着剤は熱硬化接着剤を推奨します。  
尚、接着剤の接点部への付着は導通不良の原因になりますので、染み出しが無い様、お願い致します。  
RECOMMENDED STIFFENER MATERIAL: POLYIMIDE  
RECOMMENDED BASE FILM THICKNESS: 25 MICROMETER  
RECOMMENDED ADHESIVE: THERMOSETTING ADHESIVE  
NOTE: PLEASE PUT APPROPRIATE AMOUNT OF ADHESIVE ON ADHEREND BECAUSE THERE IS A POSSIBILITY THAT THE EXTRA ADHESIVE CAUSES THE DEFECT IN ELECTRICAL CONTINUITY.

REVISED EC NO: J2013-1168 DRWN: NKONDO 2013/03/15 CHKD: KTAKAHASHI 2013/04/16 APPR: KMORIKAWA 2013/04/25	DESCRIPTION	GENERAL TOLERANCES (UNLESS SPECIFIED)		DIMENSION STYLE		SCALE		54550-**-22		MODEL NO.	
				MM ONLY		---		DESIGN UNITS		THIRD ANGLE PROJECTION	
		10 UNDER ±0.2		DRAWN BY DATE		TITLE					
		10 OVER 30 UNDER ±0.25		NKONDO 2012/09/13		0.5MM FPC CONN ZIF R/A HOUSING ASSY (UPPER CONTACT)					
30 OVER ±0.3		CHECKED BY DATE									
ANGULAR ±3 °		KTAKAHASHI 2012/09/13									
DRAFT WHERE APPLICABLE MUST REMAIN WITHIN DIMENSIONS		APPROVED BY DATE									
		KMORIKAWA 2013/03/15		MATERIAL NO.		DOCUMENT NO.		SEE CHART		SD-54550-075	
A		REV		SIZE A3		THIS DRAWING CONTAINS INFORMATION THAT IS PROPRIETARY TO MOLEX INCORPORATED AND SHOULD NOT BE USED WITHOUT WRITTEN PERMISSION				SHEET NO. 2 OF 2	

NOTES

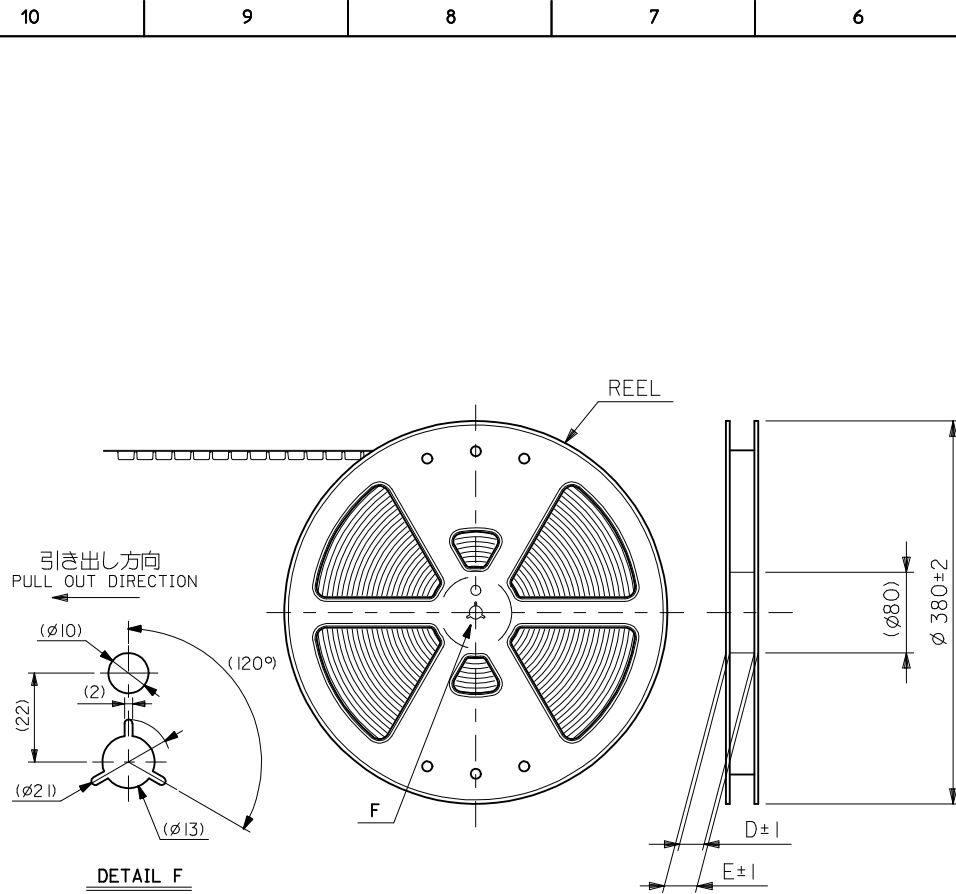
- 製品詳細寸法については図面 54550-\*\*22 を参照下さい。  
RE DETAILED DIMENSION, SEE 54550-\*\*22
- 梱包数量：3000個/リール  
NUMBER OF CONNECTORS : 3000PCS/REEL
- リードテープ長さ LEAD TAPE LENGTH



- カバートープの剥離強度については、IEC60286-3に準拠  
Cover tape peel force is defined by IEC60286-3.

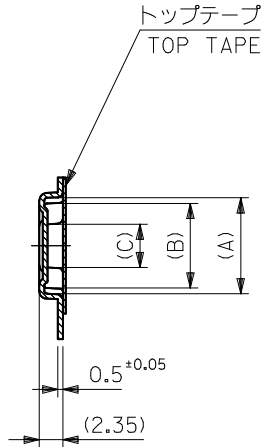
- 材料 (MATERIAL)  
キャリアテープ (CARRIER TAPE) : ポリプロピレン (POLYPROPYLENE)  
トップテープ (TOPTAPE) : PET, PE, PEF  
リール (REEL) : ポリスチレン (P.S) <リサイクル材を含む>  
POLYSTYRENE (PS) <RECYCLE MATERIAL CONTAINED>

- ELV及びRoHS適合品  
ELV AND RoHS COMPLIANT

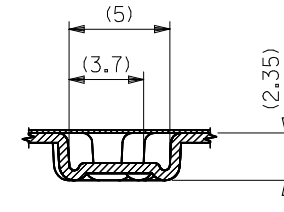
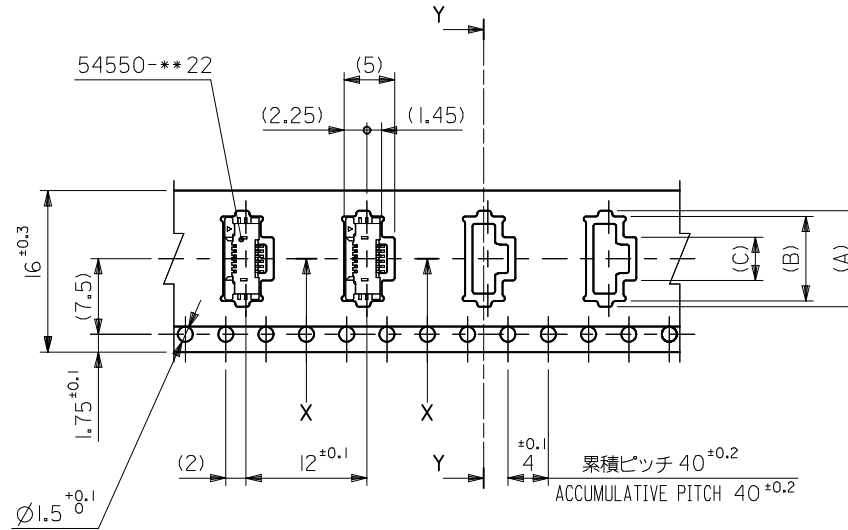


RELEASED EC NO: J2013-1014 DRWN: NKONDO 2012/09/13 CHKD: KTAKAHASHI 2012/09/13 APPR: KMORIKAWA 2013/03/15	DESCRIPTION REV: 0	GENERAL TOLERANCES (UNLESS SPECIFIED)		DIMENSION STYLE MM ONLY		SCALE ---	54550-**33	MODEL No.	
		10 UNDER $\pm 0.2$		DRAWN BY NKONDO DATE 2012/09/13		TITLE	EMBOSS TAPE PACKAGED FOR 0.5MM FPC CONN ZIF R/A HOUSING ASSY		
		10 OVER 30 UNDER $\pm 0.25$		CHECKED BY KTAKAHASHI DATE 2012/09/13					
		30 OVER $\pm 0.3$		APPROVED BY KMORIKAWA DATE 2013/03/15					
ANGULAR $\pm 3^\circ$		DRAFT WHERE APPLICABLE MUST REMAIN WITHIN DIMENSIONS		MATERIAL NO. SEE CHART		DOCUMENT NO. SD-54550-076	SHEET NO. 1 OF 4		
				SIZE A3		THIS DRAWING CONTAINS INFORMATION THAT IS PROPRIETARY TO MOLEX INCORPORATED AND SHOULD NOT BE USED WITHOUT WRITTEN PERMISSION			

引き出し方向  
PULL OUT DIRECTION



SECT. Y-Y



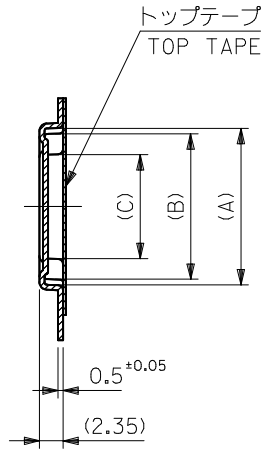
SECT. X-X

16mm幅キャリアテープ  
16mm WIDTH CARRIER TAPE

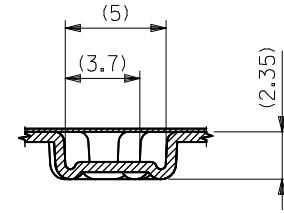
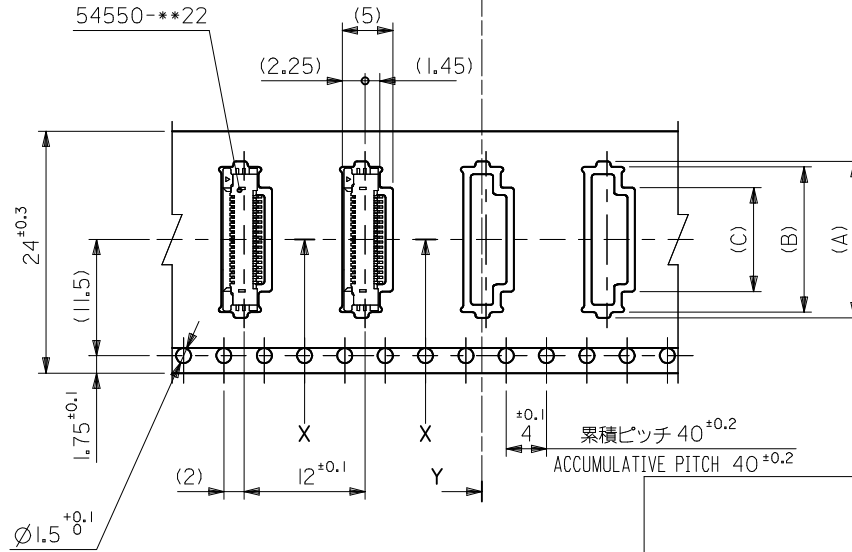
16	21.4	17.4	4.3	8.4	9.5	54550-0633	6
			3.8	7.9	9	54550-0533	5
			3.3	7.4	8.5	54550-0433	4
キャリアテープ幅 CARRIER TAPE WIDTH	E	D	(C)	(B)	(A)	製品番号 MATERIAL No.	極数 Ckt
						54550-***33	MODEL No.

RELEASED EC NO.: J2013-1014 DRW: NKONDO 2012/09/13 CHKD: TAKAHASHI 2012/09/13 APPR: KMORIKAWA 2013/03/15	DESCRIPTION REV: 0	GENERAL TOLERANCES (UNLESS SPECIFIED)		DIMENSION STYLE MM ONLY		SCALE ---	DESIGN UNITS METRIC	THIRD ANGLE PROJECTION		
		10 UNDER	± 0.2	DRAWN BY NKONDO	DATE 2012/09/13	TITLE EMBOSS TAPE PACKAGED FOR 0.5MM FPC CONN ZIF R/A HOUSING ASSY				
		10 OVER 30 UNDER	± 0.25	CHECKED BY KTAKAHASHI	DATE 2012/09/13					
		30 OVER	± 0.3	APPROVED BY KMORIKAWA	DATE 2013/03/15					
ANGULAR ± 3 °		DRAFT WHERE APPLICABLE MUST REMAIN WITHIN DIMENSIONS		MATERIAL NO. SEE CHART		DOCUMENT NO. SD-54550-076		SHEET NO. 2 OF 4		
THIS DRAWING CONTAINS INFORMATION THAT IS PROPRIETARY TO MOLEX INCORPORATED AND SHOULD NOT BE USED WITHOUT WRITTEN PERMISSION										

引き出し方向  
PULL OUT DIRECTION



SECT. Y-Y



SECT. X-X

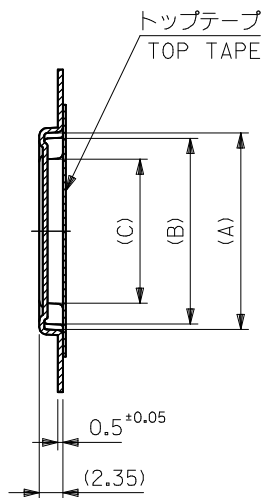
24mm幅キャリアテープ  
24mm WIDTH CARRIER TAPE

24	29.4	25.4	12.3	16.4	17.5	54550-2233	22		
			11.8	15.9	17	54550-2133	21		
			11.3	15.4	16.5	54550-2033	20		
			10.8	14.9	16	54550-1933	19		
			10.3	14.4	15.5	54550-1833	18		
			9.8	13.9	15	54550-1733	17		
			9.3	13.4	14.5	54550-1633	16		
			8.8	12.9	14	54550-1533	15		
			8.3	12.4	13.5	54550-1433	14		
			7.8	11.9	13	54550-1333	13		
			7.3	11.4	12.5	54550-1233	12		
			6.8	10.9	12	54550-1133	11		
			6.3	10.4	11.5	54550-1033	10		
			5.8	9.9	11	54550-0933	9		
			5.3	9.4	10.5	54550-0833	8		
4.8	8.9	10	54550-0733	7					
キャリアテープ幅 CARRIER TAPE WIDTH			E	D	(C)	(B)	(A)	製品番号 MATERIAL No.	極数 Ck†

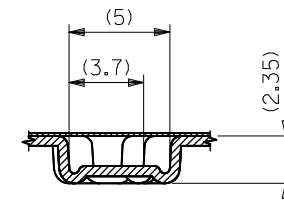
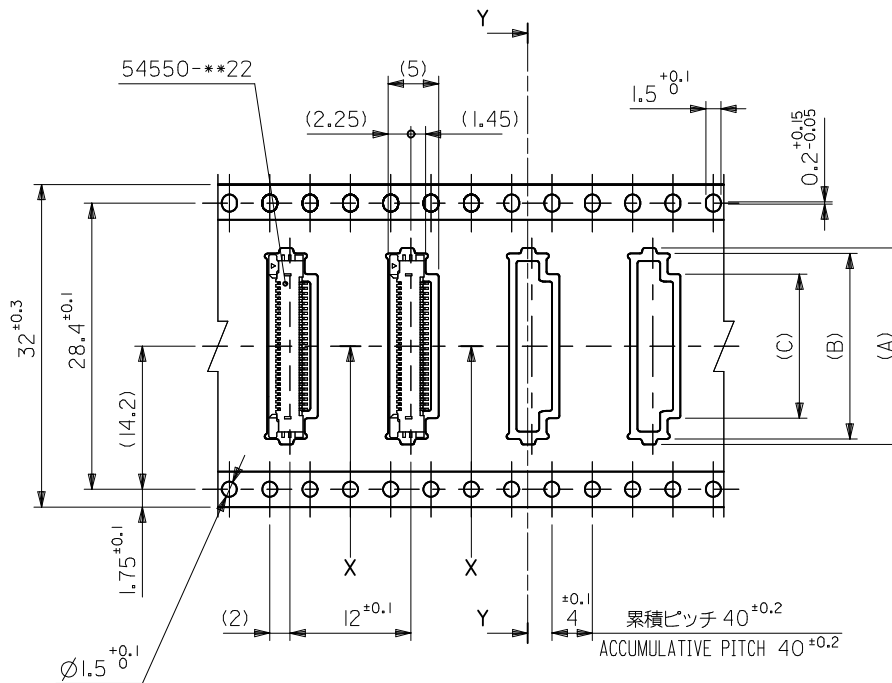
54550-\*\*33 MODEL No.

RELEASED EC NO: J2013-1014 DRWN: NKONDO 2012/09/13 CHKD: KTAKAHASHI 2012/09/13 APPR: KMORIKAWA 2013/03/15	GENERAL TOLERANCES (UNLESS SPECIFIED)		DIMENSION STYLE MM ONLY		SCALE ---	DESIGN UNITS METRIC	THIRD ANGLE PROJECTION	
	10 UNDER	±0.2	DRAWN BY NKONDO	DATE 2012/09/13	TITLE EMBOSS TAPE PACKAGED FOR 0.5MM FPC CONN ZIF R/A HOUSING ASSY			
	10 OVER 30 UNDER	±0.25	CHECKED BY KTAKAHASHI	DATE 2012/09/13				
	30 OVER	±0.3	APPROVED BY KMORIKAWA	DATE 2013/03/15				
	ANGULAR	±3 °	MATERIAL NO. SEE CHART		DOCUMENT NO. SD-54550-076	SHEET NO. 3 OF 4		
DRAFT WHERE APPLICABLE MUST REMAIN WITHIN DIMENSIONS		THIS DRAWING CONTAINS INFORMATION THAT IS PROPRIETARY TO MOLEX INCORPORATED AND SHOULD NOT BE USED WITHOUT WRITTEN PERMISSION						

引き出し方向  
PULL OUT DIRECTION



SECT. Y-Y



SECT. X-X

32mm幅キャリアテープ  
32mm WIDTH CARRIER TAPE

32	37.4	33.4	14.3	18.4	19.5	54550-2633	26
			13.3	17.4	18.5	54550-2433	24
キャリアテープ幅 CARRIER TAPE WIDTH	E	D	(C)	(B)	(A)	製品番号 MATERIAL No.	極数 Ckt

RELEASED EC NO.: J2013-1014 DRW: NKONDO 2012/09/13 CHK: KTAKAHASHI 2012/09/13 APPR: KMORIKAWA 2013/03/15	DESCRIPTION REV: 0	GENERAL TOLERANCES (UNLESS SPECIFIED)		DIMENSION STYLE MM ONLY		SCALE ---		DESIGN UNITS METRIC		MODEL No. 54550-***33		THIRD ANGLE PROJECTION	
		10 UNDER	±0.2	DRAWN BY	DATE	TITLE							
		10 OVER 30 UNDER	±0.25	NKONDO	2012/09/13	EMBOSS TAPE PACKAGED FOR 0.5MM FPC CONN ZIF R/A HOUSING ASSY							
		30 OVER	±0.3	CHECKED BY	DATE	KTAKAHASHI 2012/09/13 APPROVED BY DATE KMORIKAWA 2013/03/15 MATERIAL NO.							
ANGULAR ±3 ° DRAFT WHERE APPLICABLE MUST REMAIN WITHIN DIMENSIONS		SEE CHART		DOCUMENT NO. SD-54550-076		SHEET NO. 4 OF 4		molex					
				THIS DRAWING CONTAINS INFORMATION THAT IS PROPRIETARY TO MOLEX INCORPORATED AND SHOULD NOT BE USED WITHOUT WRITTEN PERMISSION									