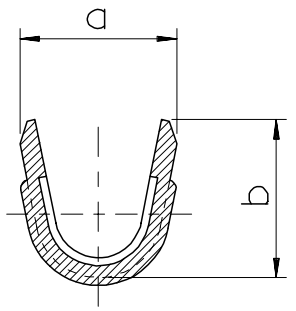


NOTES

- 1. MATERIAL : BRASS , 0.5mm THICKNESS
- 2. PART NO.

PART NO.	a	b	FINISH	△B	△B
				WIRE RANGE	QUANTITY
35760-7100	3.3	3.3	UNPLATED	0.5~1.5mm <sup>2</sup>	6,000/REEL
35760-7110			POST PLATED TIN		
35760-7140			TIN-LEAD		
LEAD FREE 35760-7160	4.2	4.2	POST PLATED TIN	1.5~2.5mm <sup>2</sup>	5,000/REEL
35760-7200			UNPLATED		
35760-7210			POST PLATED TIN		
35760-7240			TIN-LEAD		
LEAD FREE 35760-7260			POST PLATED TIN		



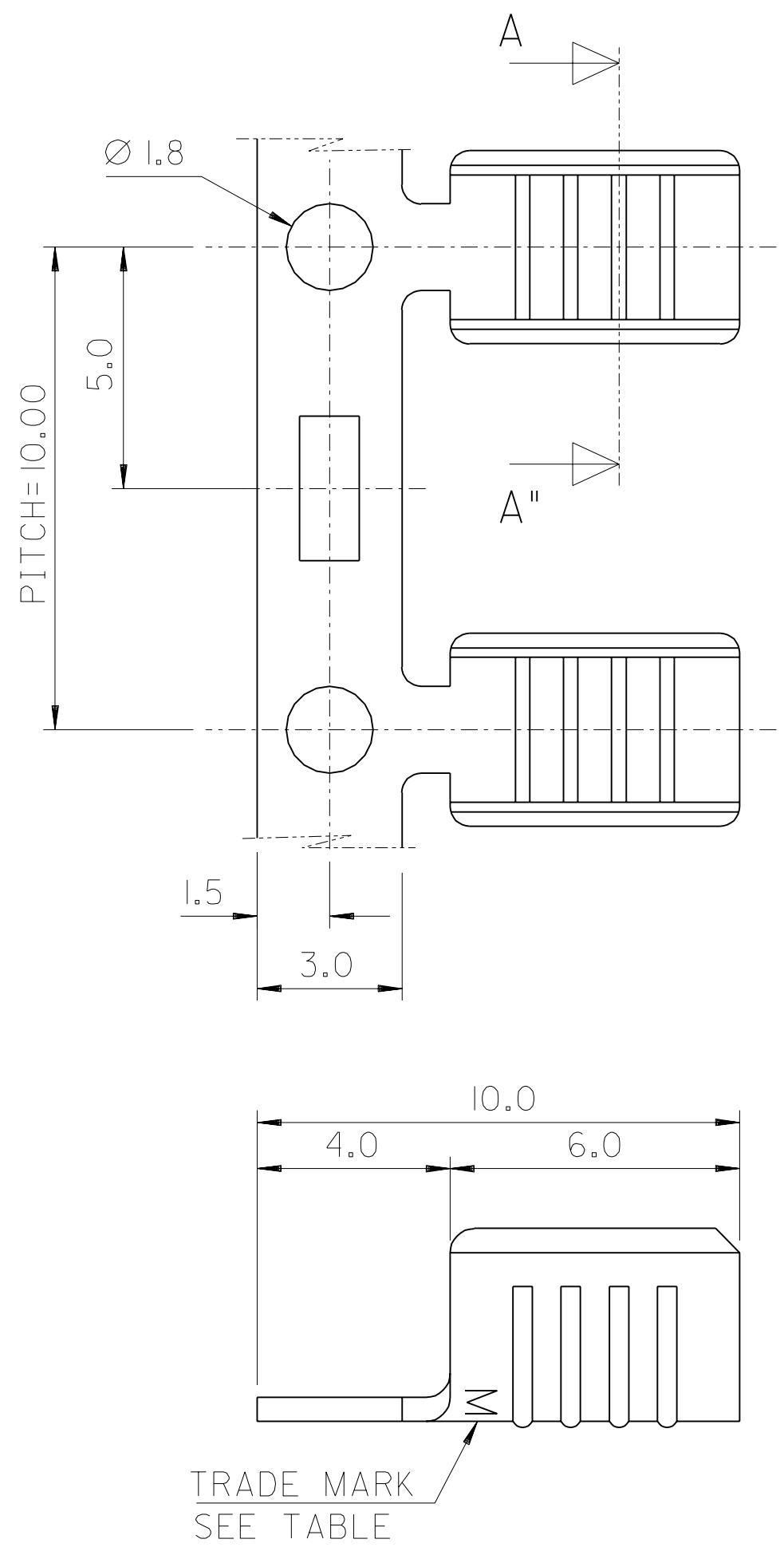
ADDITION OF OPTION EC NO. KOR2006-0064 DRWN: SY.PARK 05/12/16 CHK: BC.YOON 05/12/16 APPR: SH.CHOI 05/12/16	QUALITY SYMBOLS MAJOR = 0 CRITICAL = 0	GENERAL TOLERANCES: (UNLESS SPECIFIED)		SCALE 8:1	DESIGN UNITS <input checked="" type="checkbox"/> mm <input type="checkbox"/> INCH	THIRD ANGLE PROJECTION <input checked="" type="checkbox"/> mm <input type="checkbox"/> INCH	DIMENSIONS: <input type="checkbox"/> mm <input type="checkbox"/> INCH <input checked="" type="checkbox"/> mm ONLY	SHT	REV
		4 PLACES	±0.	±.	DRAWN BY & DATE J.S.KANG 93/10/07	TITLE: WIRE SPLICE (S),(SM)			
		3 PLACES	±0.	±.	CHECKED BY & DATE B.K.CHOI 93/10/07				
		2 PLACES	±0.20	±.	APPROVED BY & DATE C.W.LEE 93/10/07	MOLEX INCORPORATED KOREA			
1 PLACE	±0.30	±.	CAD FILENAME S7607100.DGN	MATERIAL NO. SEE TABLE	DRAWING NO. SD-35760-002				
REV	DESCRIPTION	ANGULAR: ± °			THIS DRAWING CONTAINS INFORMATION THAT IS PROPRIETARY TO MOLEX INCORPORATED AND SHOULD NOT BE USED WITHOUT WRITTEN PERMISSION.				
DRAFT WHERE APPLICABLE MUST REMAIN WITHIN DIMENSIONS					SIZE B				

DO NOT SCALE DRAWING  
DIMENSION IN METRIC

LEAD FREE

TRADE MARK  
SEE TABLE

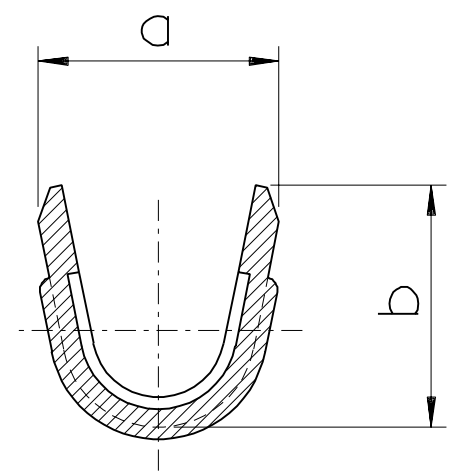
DWG. NO. SD 35760-7\*\*0  
 SIMILAR ITEM  
 PROJECT NO.  
 DO NOT SCALE DRAWING DIMENSION IN METRIC



NOTES

1. MATERIAL : BRASS , 0.5mm THICKNESS
2. PART NO.

PART NO.	DIM'S		FINISH	WIRE SIZE	MAT'L THICK'	TRADE MARK
	a	b				
35760-7100	3.3	3.3	UNPLATED	AWG #20-#16	0.5mm	MK2
35760-7110			POST PLATED TIN			
35760-7140			TIN-LEAD			
35760-7200	4.2	4.2	UNPLATED	AWG #16-#12	0.5mm	MK2
35760-7210			POST PLATED TIN			
35760-7240			TIN-LEAD			
35760-7205	4.2	4.2	POST PLATED TIN		0.4mm	MK24



REVISED	EC NO. DRWN: W.Y. YANG 01/11/15 CHK: APPR:	DESCRIPTION	QUALITY SYMBOLS	GENERAL TOLERANCES: (UNLESS SPECIFIED)		SCALE 8:1	DESIGN UNITS <input checked="" type="checkbox"/> mm <input type="checkbox"/> INCH	THIRD ANGLE PROJECTION <input checked="" type="checkbox"/>	DIMENSIONS: <input type="checkbox"/> mm <input type="checkbox"/> INCH <input checked="" type="checkbox"/> mm ONLY		SHT	REV
			MAJOR $\blacktriangledown = 0$ CRITICAL $\triangle = 0$	mm	INCH	DRAWN BY & DATE J.S.KANG 93/10/07		TITLE: WIRE SPLICE (S),(SM)		MOLEX INCORPORATED KOREA		
B	REV		4 PLACES $\pm 0.$	$\pm .$	4 PLACES $\pm 0.$	$\pm .$	CHECKED BY & DATE B.K.CHOI 93/10/07		MATERIAL NO. SEE TABLE		DRAWING NO. SD-35760-7**0	SHEET NO. 10F1
			3 PLACES $\pm 0.$	$\pm .$	3 PLACES $\pm 0.$	$\pm .$	APPROVED BY & DATE C.W.LEE 93/10/07		DRAWING NO. SD-35760-7**0			SIZE B
			2 PLACES $\pm 0.20$	$\pm .$	2 PLACES $\pm 0.20$	$\pm .$	CAD FILENAME S7607100.DGN		THIS DRAWING CONTAINS INFORMATION THAT IS PROPRIETARY TO MOLEX INCORPORATED AND SHOULD NOT BE USED WITHOUT WRITTEN PERMISSION.			
			1 PLACE $\pm 0.30$	$\pm .$	1 PLACE $\pm 0.30$	$\pm .$	ANGULAR: $\pm$ °					
DRAFT WHERE APPLICABLE MUST REMAIN WITHIN DIMENSIONS												