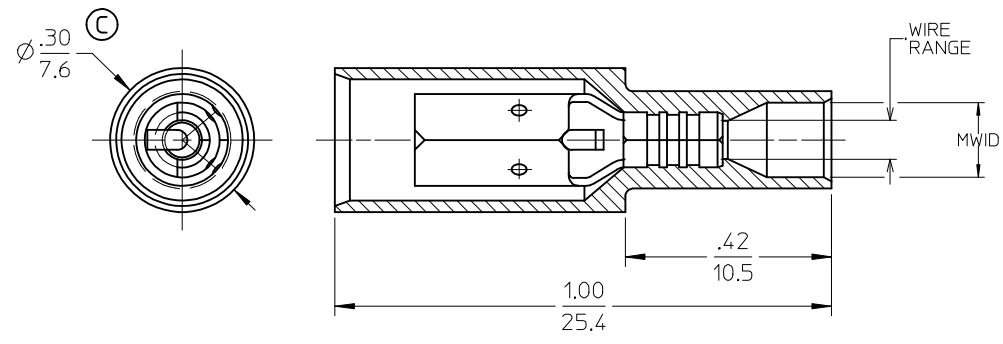


| MATERIAL NO. NYLON | ENGINEERING NO. NYLON | INSULATION NYLON COLOR | MATERIAL NO. PVC | ENGINEERING NO. PVC | INSULATION PVC COLOR | WIRE RANGE AWG / MM ² | MWID | FITS MALE PLUG DIA. |
|-----------------------|--------------------------|---------------------------|---------------------|------------------------|-------------------------|-------------------------------------|-------------|------------------------|
| 190380037 | BRA-2156N | LIGHT RED | 190380001 | BRA-2156 | RED | 22-18 / 0.25-1.3 | .128/(3.25) | .156/(3.96) |
| 190380006 | BRA-2180N | LIGHT RED | 190380004 | BRA-2180 | RED | 22-18 / 0.25-1.3 | .128/(3.25) | .180/(4.57) |
| 190380009 | BRB-2156N | LIGHT BLUE | 190380007 | BRB-2156 | DARK BLUE | 16-14 / 1.0-2.6 | .150/(3.81) | .156/(3.96) |
| 190380013 | BRB-2180N | LIGHT BLUE | 190380011 | BRB-2180 | DARK BLUE | 16-14 / 1.0-2.6 | .150/(3.81) | .180/(4.57) |



SALES DRAWING

- NOTE(S):**
1. RECEPTACLE MATERIAL: .016/(0.41) THK BRASS
 2. RECEPTACLE FINISH: TIN PLATING
 3. MWID = MAXIMUM WIRE INSULATION DIAMETER
 4. ALL COMPONENTS ARE ROHS COMPLIANT.



| | | | | | | | | |
|---|-------------------------------|---------------------------------------|-----------------------|---|-----------------------------|---|--------------------|--|
| REVISE DIM. EC NO: ETC2006-0450 DRWN: CYORK 2006/05/23 CHKD: JMACNEIL 2006/05/24 APPR: RDEROSS 2006/05/24 | QUALITY SYMBOLS | GENERAL TOLERANCES (UNLESS SPECIFIED) | | SCALE 5:1 | DESIGN UNITS INCH | THIRD ANGLE PROJECTION | REVISE ON CAD ONLY | |
| | DESCRIPTION ▽ - 0 ∇ = 0 | mm | INCH | DIMENSION STYLE IN/MM | | TITLE FULLY INSULATED INSULK FEMALE BULLET RECEPTACLE | | |
| | | 4 PLACES ± --- ± --- | 3 PLACES ± --- ± .005 | DRAWN BY DAY | DATE 97/07/07 | MATERIAL NO. MOLEX INCORPORATED | | |
| | | 2 PLACES ± 0.13 ± .01 | 1 PLACE ± 0.25 ± --- | CHECKED BY RWD | DATE 97/07/07 | DOCUMENT NO. SD-19038-001 | | |
| | | ANGULAR ± 1/2° | | APPROVED BY RWD | DATE 97/07/07 | SHEET NO. 1 OF 1 | | |
| DRAFT WHERE APPLICABLE | | MUST REMAIN WITHIN DIMENSIONS | | THIS DRAWING CONTAINS INFORMATION THAT IS PROPRIETARY TO MOLEX INCORPORATED AND SHOULD NOT BE USED WITHOUT WRITTEN PERMISSION | | | | |