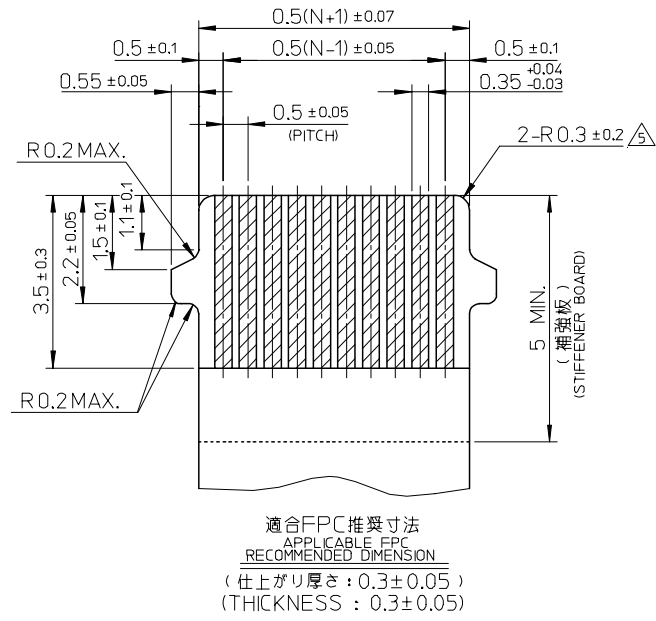
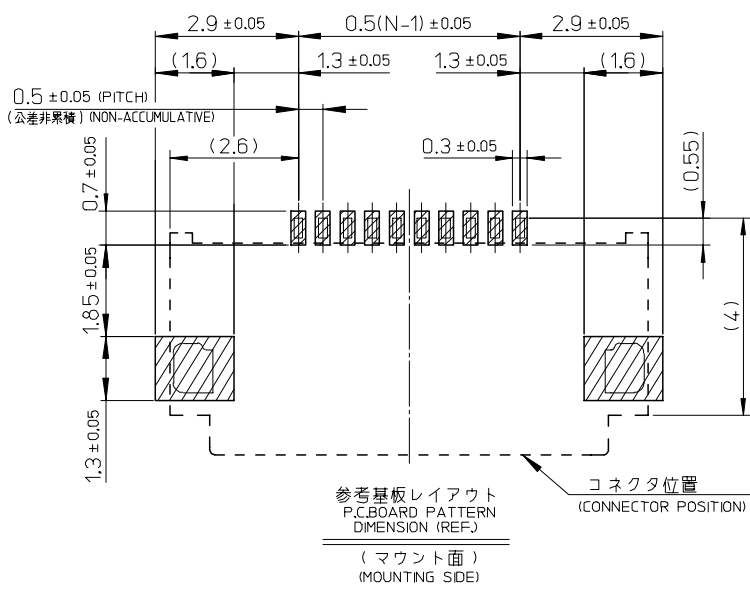


アクチュエータを開口した状態
(WHEN ACTUATOR IS OPENED)

40.1	36.5	41.7	502500-7411	74
38.1	34.5	39.7	502500-7011	70
C	B	A	MATERIAL NO.	CIRCUIT

REVISED EC NO: J2007-3430 DRWN: AOYAGI CHKD: YMAEDA APPR: NUKITA	DESCRIPTION 2007/06/15 2007/06/18 2007/06/18	GENERAL TOLERANCES (UNLESS SPECIFIED)		DIMENSION STYLE MM ONLY		SCALE 10:1	DESIGN UNITS METRIC	THIRD ANGLE PROJECTION	
		10 UNDER	± ---	DRAWN BY YTAKAYASU	DATE 2007/03/01	TITLE 0.5 FPC CONN. ZIF E/O HSG ASS'Y (H=2.5)			
		10 OVER 30 UNDER	± ---	CHECKED BY HIRATA	DATE 2007/03/01	MOLEX INCORPORATED			
		30 OVER	± ---	APPROVED BY MSASAO	DATE 2007/03/01				
A	REV	ANGULAR	± --- °	MATERIAL NO.		DOCUMENT NO. SD-502500-001		SHEET NO. 1 OF 2	
		DRAFT WHERE APPLICABLE MUST REMAIN WITHIN DIMENSIONS		SEE TABLE					
				SIZE A3		THIS DRAWING CONTAINS INFORMATION THAT IS PROPRIETARY TO MOLEX INCORPORATED AND SHOULD NOT BE USED WITHOUT WRITTEN PERMISSION			



注記 NOTES

1. 使用材料 MATERIAL
ハウジング : 液晶ポリマー ガラス充填, UL94-V0(ベージュ)
HOUSING LIQUID CRYSTAL POLYMER GLASS FILLED, UL94V-0(BEIGE)
アクチュエータ : PPS ガラス充填, UL94-V0(茶)
ACTUATOR PPS GLASS FILLED, UL94V-0(BROWN)
ターミナル : リン青銅(t=0.18)
TERMINAL PHOSPHOR BRONZE
金具 : リン青銅(t=0.15)
FITTING NAIL PHOSPHOR BRONZE
2. めっき仕様 PLATING
ターミナル TERMINAL
ニッケル下地金めっき
GOLD(Au) OVER NICKEL(Ni) PLATING.

金具 FITTING NAIL
ニッケル下地金めっき
TIN(Sn) OVER NICKEL(Ni) PLATING.
3. エンボスタープ梱包時は、アクチュエータが閉じた状態とする。
IN THE PACKAGE, ACTUATOR OF PART 502500-***11 SHOULD BE CLOSED.
4. パターン剥離止め用金具
FITTING NAIL FOR PREVENTION OF PEELING OF P.C.B. PATTERN.

- △ R0.3は、FPC 導体部にかからないこと。
R0.3 MUST NOT BE OVERLAPPED TO PATTERN OF FPC.
6. N: 極数 N: CIRCUIT.
 7. ELV及びRoHS適合品
ELV AND RoHS COMPLIANT

FPC について:
打ち抜き方向は導体側から補強板側を推奨します。
導体部については軟銅箔35μmまたは50μmを推奨します。
補強フィルム材質はポリイミドを推奨します。ベースフィルムは25μmを推奨します。
接着剤は熱硬化接着剤を推奨します。
尚、接着剤の接点部への付着は導通不良の原因になりますので、染み出しが無い様お願い致します。

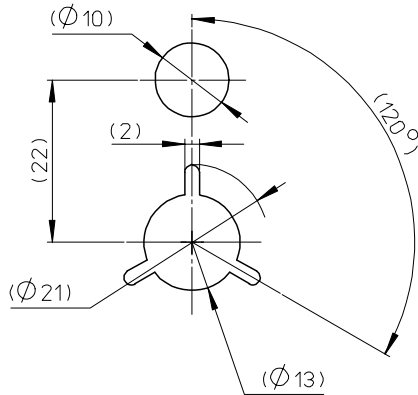
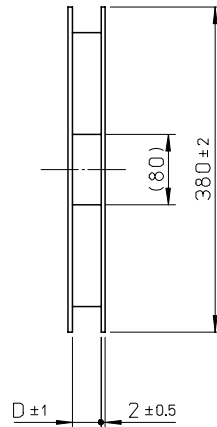
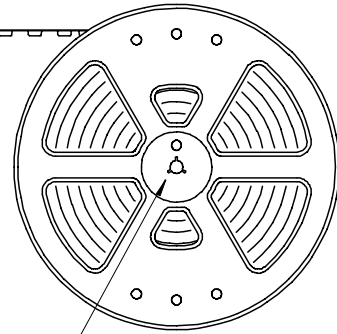
ABOUT FPC
RECOMMENDED PUNCHER DIRECTION : FROM CONDUCTOR SIDE TO STIFFENER FILM SIDE.
RECOMMENDED CONDUCTOR SPEC :
THICKNESS OF SOFT COPPER FOIL : 35 MICROMETER OR 50 MICROMETER.
RECOMMENDED MATERIAL/THICKNESS.
STIFFENER FILM : POLYIMIDE
BASE FILM THICKNESS : 25μm
BONDING AGENT : THERMOSETTING BONDING AGENT
PLEASE PUT APPROPRIATE AMOUNT OF ADHESIVE ON ADHEREND BECAUSE THERE IS A POSSIBILITY THAT THE EXTRA ADHESIVE CAUSES THE DEFECT IN ELECTRICAL CONTINUITY.

REVISED EC NO: J2007-3430 DRWN: AOYAGI CHKD: MAEDA APPR: NUKITA	DESCRIPTION 2007/06/15 2007/06/18 2007/06/18	GENERAL TOLERANCES (UNLESS SPECIFIED)		DIMENSION STYLE MM ONLY	SCALE ---	DESIGN UNITS METRIC	THIRD ANGLE PROJECTION	
		10 UNDER	± ---	DRAWN BY YTAKAYASU	DATE 2007/03/01	TITLE 0.5 FPC CONN. ZIF E/0 HSG ASS'Y (H=2.5)		
		10 OVER 30 UNDER	± ---	CHECKED BY HIRATA	DATE 2007/03/01	MOLEX INCORPORATED		
		30 OVER	± ---	APPROVED BY MSASAO	DATE 2007/03/01	MATERIAL NO.	DOCUMENT NO. SD-502500-001	SHEET NO. 2 OF 2
A	REV	ANGULAR	± --- °	SEE SHEET 1				
		DRAFT WHERE APPLICABLE MUST REMAIN WITHIN DIMENSIONS		THIS DRAWING CONTAINS INFORMATION THAT IS PROPRIETARY TO MOLEX INCORPORATED AND SHOULD NOT BE USED WITHOUT WRITTEN PERMISSION				

10 9 8 7 6 5 4 3 2 1

引き出し方向

PULL OUT DIRECTION

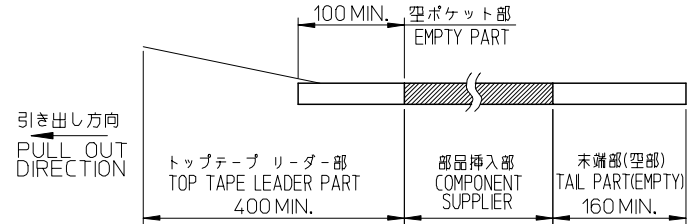


DETAIL "E"

NOTES

1. 梱包数量 : 2000個/リール
NUMBER OF CONNECTORS : 2000PIECES/REEL

2. リードテープ長さ
LEAD TAPE LENGTH



3. 製品詳細寸法については図面 SD-502500-001を参照下さい。
FOR DIMENSIONS OF PRODUCT, REFER TO SD-502500-001.

4. 材料 MATERIAL
 キャリアテープ : ポリプロピレン
 CARRIER TAPE : POLYPROPYLENE
 トップテープ : ポリエチレンテレフタレート, ポリエチレン
 TOP TAPE : POLYETHYLENE TEREPHTHALATE , POLYETHYLENE
 リール : ポリスチレン<リサイクル材を含む>
 REEL : POLYSTYRENE<RECYCLE MATERIAL CONTAINED>

5. ELV及びRoHS適合品 ELV AND RoHS COMPLIANT

REVISED EC NO: J2007-3430 DRWN: A0YAGI 2007/06/15 CHKD: YMAEDA 2007/06/18 APPR: NUKITA 2007/06/18	GENERAL TOLERANCES (UNLESS SPECIFIED)		DIMENSION STYLE MM ONLY		SCALE --	DESIGN UNITS METRIC	THIRD ANGLE PROJECTION	
	10 UNDER	± ---	DRAWN BY YTAKAYASU	DATE 2007/03/01	TITLE 0.5 FPC CONN ZIF E/O EMBSTP PACKAGE (H=2.5)			
	10 ^{OVER} 30 UNDER	± ---	CHECKED BY HIRATA	DATE 2007/03/01	APPROVED BY MSASAO			
	30 ^{OVER}	± ---	APPROVED BY MSASAO	DATE 2007/03/01	MOLEX INCORPORATED			
	ANGULAR	± --- °	MATERIAL NO. SEE SHEET 2		DOCUMENT NO. SD-502500-002		SHEET NO. 1 OF 2	

DRAFT WHERE APPLICABLE
MUST REMAIN
WITHIN DIMENSIONS

THIS DRAWING CONTAINS INFORMATION THAT IS PROPRIETARY TO MOLEX INCORPORATED AND SHOULD NOT BE USED WITHOUT WRITTEN PERMISSION

10 9 8 7 6 5 4 3 2 1

F

E

D

C

B

A

F

E

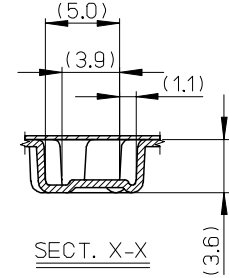
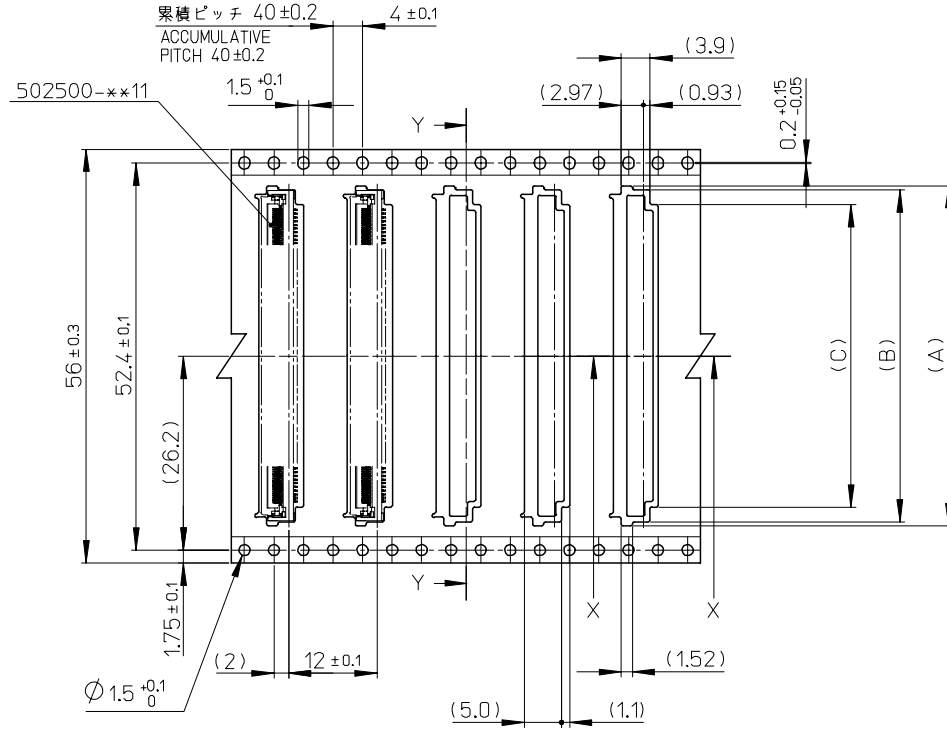
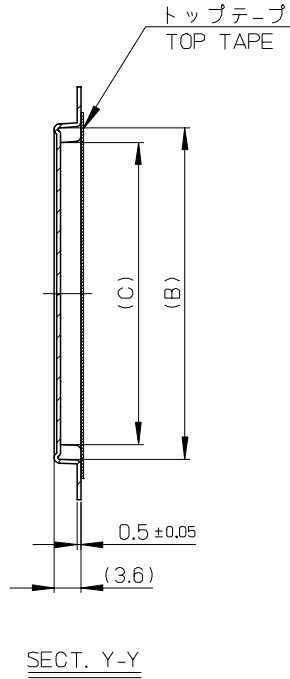
D

C

B

A

引き出し方向
PULL OUT
DIRECTION



56	57.5	37.9	41.9	43	502500-7491	74
キャリアテープ幅 CARRIER TAPE WIDTH	D	C	B	A	製品番号 MATERIAL NO.	極数 CIRCUIT
		35.9	39.9	41	502500-7091	70

REVISED EC NO: J2007-3430 DRWN: AYOYAGI CHKD: YMAEDA APPR: NUKITA	DESCRIPTION 2007/06/15 2007/06/18 2007/06/18	GENERAL TOLERANCES (UNLESS SPECIFIED)		DIMENSION STYLE	SCALE	DESIGN UNITS	THIRD ANGLE PROJECTION	
		10 UNDER	± ---	MM ONLY	--	METRIC	☉	
		10 OVER 30 UNDER	± ---	DRAWN BY	DATE	TITLE		
		30 OVER	± ---	Y TAKAYASU	2007/03/01	0.5 FPC CONN ZIF E/O EMBSTP PACKAGE (H=2.5)		
		ANGULAR	± --- °	CHECKED BY	DATE	MOLEX INCORPORATED		
DRAFT WHERE APPLICABLE MUST REMAIN WITHIN DIMENSIONS		APPROVED BY	DATE	MATERIAL NO.	DOCUMENT NO.	SHEET NO.		
		MSASAO	2007/03/01	SEE TABLE	SD-502500-002	2 OF 2		
A		THIS DRAWING CONTAINS INFORMATION THAT IS PROPRIETARY TO MOLEX INCORPORATED AND SHOULD NOT BE USED WITHOUT WRITTEN PERMISSION						

9

8

7

6

5

4

3

2