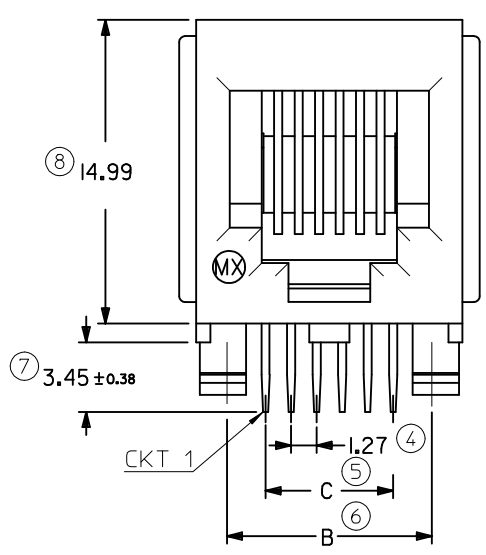
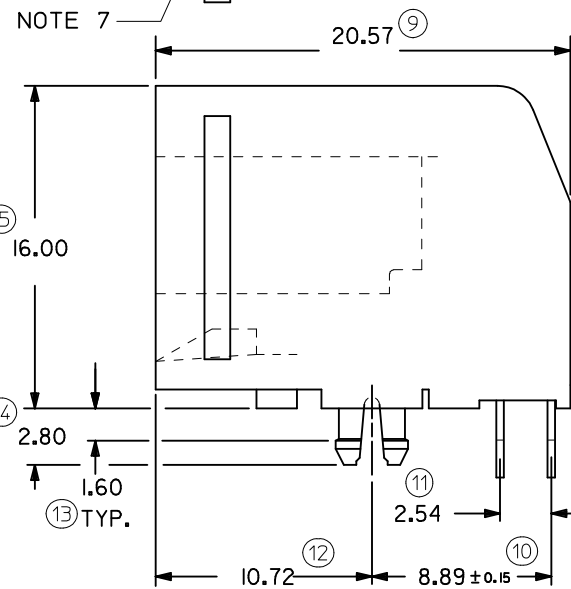
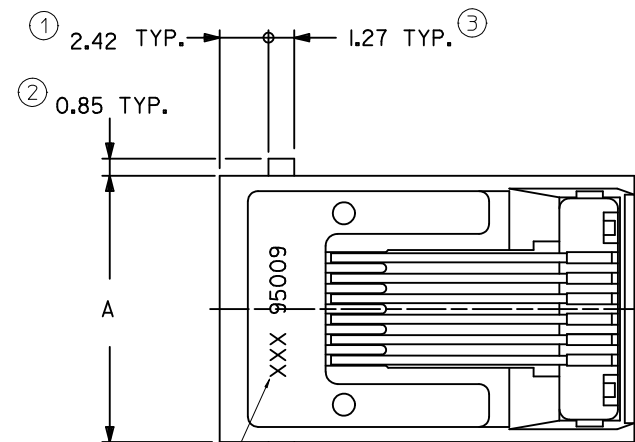
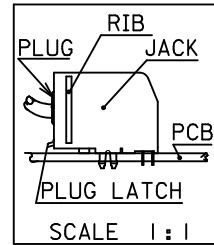


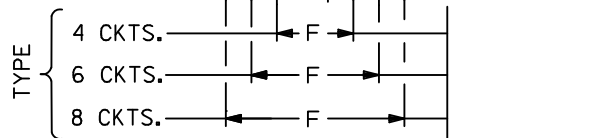
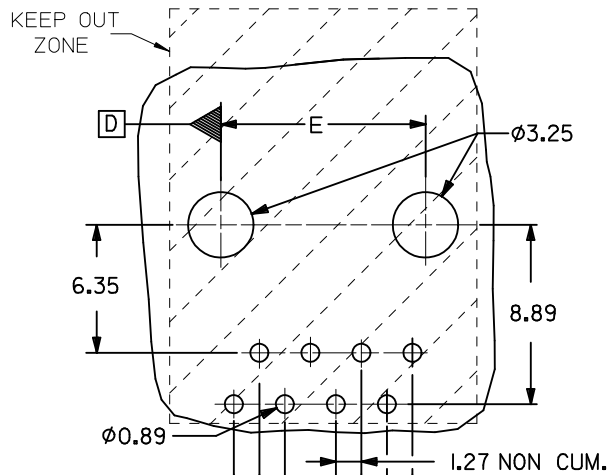
NOTES :

1- MATERIAL : POLYESTER FIBER GLASS FILED 94-V-0
 COLOR BLACK .
 TERMINAL : COPPER ALLOY.
 PLATINGS : BASE FINISH: NICKEL
 CONTACT SURFACE FINISH:
 GOLD
 OR
 GOLD FLASH OVER PALLADIUM NICKEL.
 EXCEEDS PRODUCT REQUIREMENTS BASED ON PS-95009-001

2- PC BOARD THICKNESS : 1.57
 3- JACK FOR MATING WITH IEC-60603-7 AND TIA-1096-A
 MOLEX 90075 SERIES PLUGS
 4- PRODUCT SPECIFICATION PS-95009-001.
 5- APPLICATION SPECIFICATION AS-95001.
 6- PACKAGING SPECIFICATION PK-95029.
 7- MANUFACTURING ID CAN BE MXF, MG OR MXI.
 INSPECTION NUMBERS USED: 1 - 50
 LAST INSPECTION NUMBER: 15



MOUNTING HOLE PATTERNS
 (SEE FROM COMPONENT SIDE)



± 0.10 D

ALL DIMENSIONS REF DIMENSIONS

REV	DESCRIPTION
K	APPR:EFOLAN 2012/05/03
	CHKD:SMCGREEVEY 2012/04/27
	DRWN:DBYRNES 2012/04/27
	EC NO: IPG2012-0807
	EDITED NOTES

QUALITY SYMBOLS	GENERAL TOLERANCES (UNLESS SPECIFIED)
$\nabla = 0$	mm INCH
$\nabla C = 0$	4 PLACES ± --- ± ---
	3 PLACES ± --- ± ---
	2 PLACES ± 0.25 ± ---
	1 PLACE ± 0.35 ± ---
	ANGULAR ± 1/2°
	DRAFT WHERE APPLICABLE MUST REMAIN WITHIN DIMENSIONS

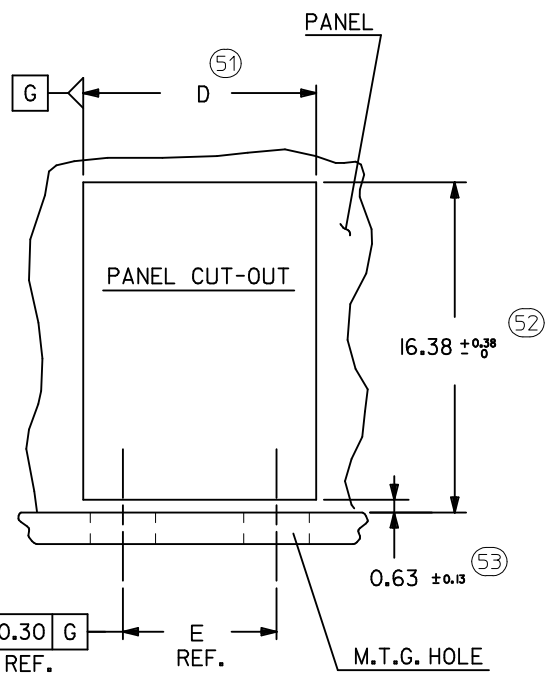
DIMENSION STYLE		SCALE	DESIGN UNITS	THIRD ANGLE PROJECTION
MM ONLY		4:1	METRIC	
DRAWN BY	DATE	TITLE		
DP	86/10/23	FLUSH MOUNT RIGHT ANGLE MODULAR JACK ASSEMBLY THROUGH HOLE VERSION		
CHECKED BY	DATE	MOLEX INCORPORATED		
APPROVED BY	DATE	DOCUMENT NO. SDA-95009-F		
MATERIAL NO.	SEE CHART SHT 2	SHEET NO. 1 OF 2		
SIZE	A3	THIS DRAWING CONTAINS INFORMATION THAT IS PROPRIETARY TO MOLEX INCORPORATED AND SHOULD NOT BE USED WITHOUT WRITTEN PERMISSION		

PART NUMBERS FOR JACK 1 RIB .

	TYPE	POS. 4	TOOLED	POS. 6	TOOLED	POS. 6	TOOLED	POS. 8	TOOLED
	PLATING	4 CKTS.		4 CKTS.		6 CKTS.		8 CKTS.	
	FINISH 7	95009-7441	X	95009-7641	X	95009-7661	X	95009-7881	X

PART NUMBERS FOR JACK NO RIB.

	TYPE	POS. 4	TOOLED	POS. 6	TOOLED	POS. 6	TOOLED	POS. 8	TOOLED
	PLATING	4 CKTS.		4 CKTS.		6 CKTS.		8 CKTS.	
	FINISH 7	95009-7447	X	95009-7647	X	95009-7667	X	95009-7887	X



TYPE	POS. 4	POS. 6		POS. 8
	4 CKTS.	4 CKTS.	6 CKTS.	8 CKTS.
DIM.				
A	11.18	13.21	13.21	15.24
B	7.62	10.16	10.16	11.43
C	3.81	3.81	6.35	8.89
D	± 0.38 -0	11.56	13.59	15.62
E	± 0.10	7.62	10.16	10.16
F	± 0.10	3.81	3.81	6.35
		3.81	6.35	8.89

NOTES:
INSPECTION NUMBERS USED: 51 - 100
LAST INSPECTION NUMBER: 53

ADDED PLATING OPTIONS EC NO: E2012-0040 DRWN: JOCONNOR 2011/04/07 CHKD: APPR: EFOLAN 2011/10/13 REV J	QUALITY SYMBOLS	GENERAL TOLERANCES (UNLESS SPECIFIED)	DIMENSION STYLE	SCALE	DESIGN UNITS	THIRD ANGLE PROJECTION
	$\nabla = 0$ $\nabla C = 0$	mm INCH 4 PLACES \pm --- \pm --- 3 PLACES \pm --- \pm --- 2 PLACES ± 0.25 \pm --- 1 PLACE ± 0.35 \pm --- ANGULAR $\pm 1/2^\circ$	MM ONLY	4:1	METRIC	
		DRAFT WHERE APPLICABLE MUST REMAIN WITHIN DIMENSIONS	DRAWN BY: DP CHECKED BY: APPROVED BY: DATE: 87/04/22	TITLE: FLUSH MOUNT RIGHT ANGLE MODULAR JACK ASSEMBLY THROUGH HOLE VERSION MOLEX INCORPORATED		
			MATERIAL NO.: SEE CHART SIZE: A3 THIS DRAWING CONTAINS INFORMATION THAT IS PROPRIETARY TO MOLEX INCORPORATED AND SHOULD NOT BE USED WITHOUT WRITTEN PERMISSION	DOCUMENT NO.: SDA-95009-F SHEET NO.: 2 OF 2		