

- NOTES:
1. MATERIALS: HOUSING - LIQUID CRYSTAL POLYMER (LCP), GLASS-FILLED, UL94V-0
TERMINALS - HIGH PERFORMANCE COPPER ALLOY
 2. FINISH: 30µN MIN GOLD IN CONTACT AREA, SELECTIVE TIN
ON PCB TAILS, NICKEL OVERALL.
 3. REFER TO MOLEX PRODUCT SPEC PS-170540-999 FOR PERFORMANCE SPECIFICATIONS
AND ADDITIONAL PCB INFORMATION.
 4. EACH SIGNAL WAFER CONTAINS 2 COLUMNS OF TERMINALS.
 5. PRODUCT IS PACKAGED PER PK-70873-589.
 6. THIS PART CONFORMS TO CLASS B REQUIREMENTS OF COSMETIC SPEC PS-45499-002.
 7. REFER TO MOLEX SALES DRAWING SD-170535-0002 AND RSD-170532-XXXX FOR THE
MATING HEADERS.
 8. REFER TO MOLEX ROUTING GUIDE AS-76060-990 FOR ANTIPAD AND ROUTING
RECOMMENDATIONS.
 9. GROUND PATHS ARE NOT DISCRETE CIRCUITS WITHIN CONNECTOR DUE TO PRESENCE
OF PLUS CLIP.
 10. PART NUMBER 170540-3720 SHOWN ON DRAWING. KEYING FEATURES WILL CHANGE
WITH COLUMN SIZE.
 11. MINIMUM BOARD THICKNESS IS 1.0 mm FOR COMPLIANT PIN FUNCTIONALITY.
 12. WHEN USING MOLEX SUPPLIED #2-32 SCREW 73726-0000 (9.50 NOMINAL
THREADABLE SCREW LENGTH), THE MAXIMUM BOARD THICKNESS IS 4.4 mm.

DAUGHTERCARD HOLE PATTERN (CONNECTOR SIDE)

ADDED 8 COL OPTION EC NO: UCP2014-4599 DRWN:PREMO 2014/05/05 CHKD:TELO 2014/05/05 APPR:TELO 2014/05/14	QUALITY SYMBOLS 	GENERAL TOLERANCES (UNLESS SPECIFIED)		DIMENSION STYLE MM ONLY		SCALE 3:1	DESIGN UNITS METRIC	THIRD ANGLE PROJECTION			
		4 PLACES ± --- ± ---	3 PLACES ± --- ± ---	DRAWN BY JLAURX	DATE 2010/09/29	TITLE IMPACT 6 PAIR PLUS 850HM DAUGHTERCARD SIGNAL GUIDE LEFT SALES DWG					
		2 PLACES ± 0.13 ± ---	1 PLACE ± 0.25 ± ---	CHECKED BY TELO	DATE 2010/10/01	MATERIAL NO. SEE CHART					
		0 PLACE ± ±	ANGULAR ±1/2°	APPROVED BY TELO	DATE 2012/08/23	DOCUMENT NO. SD-170540-0002		SHEET NO. 1 OF 2			
B4	DESCRIPTION DRAFT WHERE APPLICABLE MUST REMAIN WITHIN DIMENSIONS	SIZE 		THIS DRAWING CONTAINS INFORMATION THAT IS PROPRIETARY TO MOLEX INCORPORATED AND SHOULD NOT BE USED WITHOUT WRITTEN PERMISSION							

MATERIAL NUMBER	# OF COLUMNS	# OF DIFF PAIR	DIM "A" MAX	DIM "B"	PTH ϕ
170540-3*08	8	48	22.80	13.30	0.46 ± 0.05
170540-3*10	10	60	26.60	17.10	
170540-3*16	16	96	38.00	28.50	
170540-3*38	8	48	22.80	13.30	0.39 ± 0.05
170540-3*20	10	60	26.60	17.10	
170540-3*26	16	96	38.00	28.50	

170540-3***

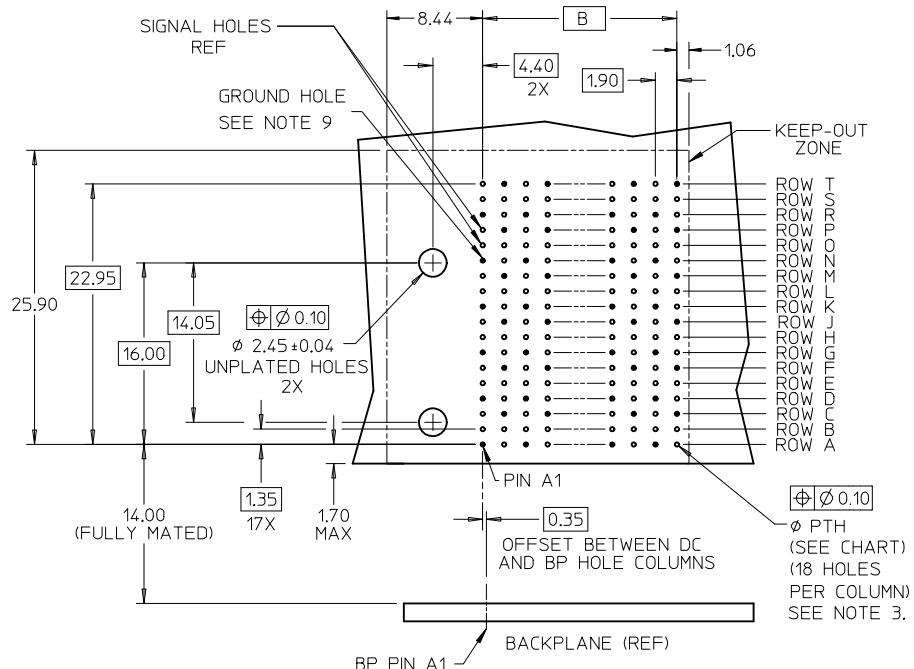
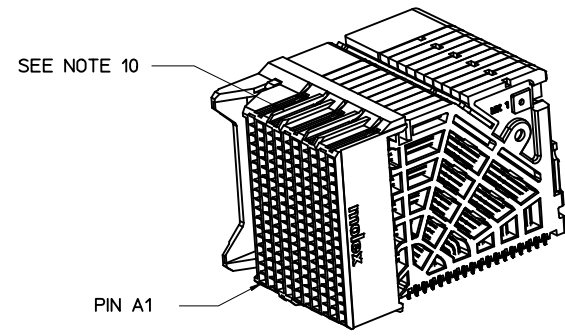
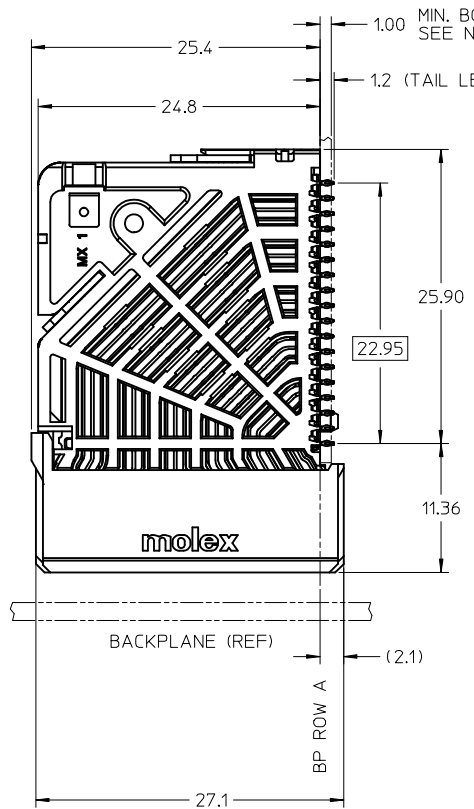
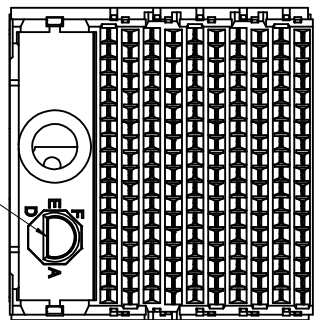
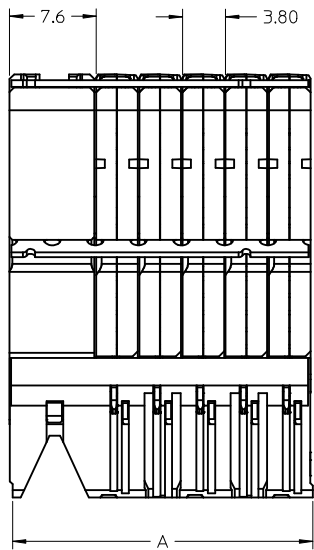
MODULE & TAIL PLATING TYPE
3 = LEFT GUIDED, LEAD-FREE

POLARIZATION KEY ORIENTATION

- 0 = NO KEY
- 1 = A
- 2 = B
- 3 = C
- 4 = D
- 5 = E
- 6 = F
- 7 = G
- 8 = H

- # OF COLUMNS
- 08 = 8 COL 0.46 PTH
 - 10 = 10 COL 0.46 PTH
 - 16 = 16 COL 0.46 PTH
 - 20 = 10 COL 0.39 PTH
 - 26 = 16 COL 0.39 PTH
 - 38 = 08 COL 0.39 PTH

SEE SHEET 1 EC NO: UCP2014-4599 DRWN:PREMO CHKD:TELO APPR:TELO	2014/05/05 2014/05/05 2014/05/14	DESCRIPTION REV	QUALITY SYMBOLS	GENERAL TOLERANCES (UNLESS SPECIFIED)	DIMENSION STYLE	SCALE	DESIGN UNITS	THIRD ANGLE PROJECTION																		
			$\nabla = 0$ $\nabla = 0$ $\nabla = 0$	<table border="1"> <tr> <th></th> <th>mm</th> <th>INCH</th> </tr> <tr> <td>4 PLACES</td> <td>\pm ---</td> <td>\pm ---</td> </tr> <tr> <td>3 PLACES</td> <td>\pm ---</td> <td>\pm ---</td> </tr> <tr> <td>2 PLACES</td> <td>± 0.13</td> <td>\pm ---</td> </tr> <tr> <td>1 PLACE</td> <td>± 0.25</td> <td>\pm ---</td> </tr> <tr> <td>0 PLACE</td> <td>\pm</td> <td>\pm</td> </tr> </table>		mm	INCH	4 PLACES	\pm ---	\pm ---	3 PLACES	\pm ---	\pm ---	2 PLACES	± 0.13	\pm ---	1 PLACE	± 0.25	\pm ---	0 PLACE	\pm	\pm	MM ONLY	3:1	METRIC	
				mm	INCH																					
			4 PLACES	\pm ---	\pm ---																					
3 PLACES	\pm ---	\pm ---																								
2 PLACES	± 0.13	\pm ---																								
1 PLACE	± 0.25	\pm ---																								
0 PLACE	\pm	\pm																								
	<table border="1"> <tr> <td>DRAWN BY</td> <td>DATE</td> </tr> <tr> <td>JLAURX</td> <td>2010/09/29</td> </tr> <tr> <td>CHECKED BY</td> <td>DATE</td> </tr> <tr> <td>TELO</td> <td>2010/10/01</td> </tr> <tr> <td>APPROVED BY</td> <td>DATE</td> </tr> <tr> <td>TELO</td> <td>2012/08/23</td> </tr> </table>	DRAWN BY	DATE	JLAURX	2010/09/29	CHECKED BY	DATE	TELO	2010/10/01	APPROVED BY	DATE	TELO	2012/08/23	TITLE IMPACT 6 PAIR PLUS 850HM DAUGHTERCARD SIGNAL GUIDE LEFT SALES DWG												
DRAWN BY	DATE																									
JLAURX	2010/09/29																									
CHECKED BY	DATE																									
TELO	2010/10/01																									
APPROVED BY	DATE																									
TELO	2012/08/23																									
B4			ANGULAR $\pm 1/2^\circ$	DRAFT WHERE APPLICABLE MUST REMAIN WITHIN DIMENSIONS	SEE CHART	MATERIAL NO.	DOCUMENT NO.	SHEET NO.																		
					SIZE C	THIS DRAWING CONTAINS INFORMATION THAT IS PROPRIETARY TO MOLEX INCORPORATED AND SHOULD NOT BE USED WITHOUT WRITTEN PERMISSION																				



- NOTES:
1. MATERIALS: HOUSING - LIQUID CRYSTAL POLYMER (LCP), GLASS-FILLED, UL94V-0
TERMINALS - HIGH PERFORMANCE COPPER ALLOY
 2. FINISH: 10µN MIN GOLD IN CONTACT AREA, SELECTIVE TIN
ON PCB TAILS, NICKEL OVERALL.
 3. REFER TO MOLEX PRODUCT SPEC PS-170540-999 FOR PERFORMANCE SPECIFICATIONS
AND ADDITIONAL PCB INFORMATION.
 4. EACH SIGNAL WAFER CONTAINS 2 COLUMNS OF TERMINALS.
 5. PRODUCT IS PACKAGED PER PK-70873-589.
 6. THIS PART CONFORMS TO CLASS B REQUIREMENTS OF COSMETIC SPEC PS-45499-002.
 7. REFER TO MOLEX SALES DRAWING SD-170535-0002 AND RSD-170532-XXXX FOR THE
MATING HEADERS.
 8. REFER TO MOLEX ROUTING GUIDE AS-76060-990 FOR ANTIPAD AND ROUTING
RECOMMENDATIONS.
 9. GROUND PATHS ARE NOT DISCRETE CIRCUITS WITHIN CONNECTOR DUE TO PRESENCE
OF PLUS CLIP.
 10. PART NUMBER 170540-3720 SHOWN ON DRAWING. KEYING FEATURES WILL CHANGE
WITH COLUMN SIZE.
 11. MINIMUM BOARD THICKNESS IS 1.0 mm FOR COMPLIANT PIN FUNCTIONALITY.
 12. WHEN USING MOLEX SUPPLIED #2-32 SCREW 73726-0000 (9.50 NOMINAL
THREADABLE SCREW LENGTH), THE MAXIMUM BOARD THICKNESS IS 4.4 mm.

DAUGHTERCARD HOLE PATTERN (CONNECTOR SIDE)

INITIAL CREATION MAPS PLATING EC NO: UCP2015-3240 DRW:MKRAUSE 2015/02/09 CHKD: TELO APPR:TELO 2015/03/02	QUALITY SYMBOLS	GENERAL TOLERANCES (UNLESS SPECIFIED)	DIMENSION STYLE	SCALE	DESIGN UNITS	THIRD ANGLE PROJECTION
	▽=0	mm INCH	MM ONLY	3:1	METRIC	
	▽=0	4 PLACES ± --- ± ---	DRAWN BY DATE	TITLE		
	▽=0	3 PLACES ± --- ± ---	MKRAUSE 2015/02/09	IMPACT 6 PAIR PLUS 850HM DC SIGNAL MAPS GUIDE LEFT SALES DWG		
▽=0	2 PLACES ± 0.13 ± ---	CHECKED BY DATE	DOCUMENT NO.			
	1 PLACE ± 0.25 ± ---	APPROVED BY DATE	SD-173120-0002			
	0 PLACE ± ±	TELO 2015/03/02	SHEET NO.			
	ANGULAR ±1/2°	MATERIAL NO.	1 OF 2			
	DRAFT WHERE APPLICABLE MUST REMAIN WITHIN DIMENSIONS	SEE CHART	THIS DRAWING CONTAINS INFORMATION THAT IS PROPRIETARY TO MOLEX INCORPORATED AND SHOULD NOT BE USED WITHOUT WRITTEN PERMISSION			

MATERIAL NUMBER	# OF COLUMNS	# OF DIFF PAIR	DIM "A" MAX	DIM "B"	PTH ϕ
173120-3*08	8	48	22.80	13.30	0.46 ± 0.05
173120-3*10	10	60	26.60	17.10	
173120-3*16	16	96	38.00	28.50	
173120-3*38	8	48	22.80	13.30	0.39 ± 0.05
173120-3*20	10	60	26.60	17.10	
173120-3*26	16	96	38.00	28.50	

173120-3***

MODULE & TAIL PLATING TYPE
3 = LEFT GUIDED, LEAD-FREE

POLARIZATION KEY ORIENTATION

- 0 = NO KEY
- 1 = A
- 2 = B
- 3 = C
- 4 = D
- 5 = E
- 6 = F
- 7 = G
- 8 = H

- # OF COLUMNS
- 08 = 8 COL 0.46 PTH
 - 10 = 10 COL 0.46 PTH
 - 16 = 16 COL 0.46 PTH
 - 20 = 10 COL 0.39 PTH
 - 26 = 16 COL 0.39 PTH
 - 38 = 08 COL 0.39 PTH

SEE SHEET 1 EC NO: UCP2015-3240 DRAWN: MKRAUSE 2015/02/09 CHKD: APPR: TELO 2015/03/02	QUALITY SYMBOLS	GENERAL TOLERANCES (UNLESS SPECIFIED)	DIMENSION STYLE MM ONLY	SCALE 3:1	DESIGN UNITS METRIC	THIRD ANGLE PROJECTION
	$\nabla = 0$	4 PLACES \pm --- \pm ---	mm INCH	DRAWN BY MKRAUSE	DATE 2015/02/09	TITLE IMPACT 6 PAIR PLUS 850HM DC SIGNAL MAPS GUIDE LEFT SALES DWG
	$\nabla = 0$	3 PLACES \pm --- \pm ---		CHECKED BY	DATE	
	$\nabla = 0$	2 PLACES ± 0.13 \pm ---		APPROVED BY TELO	DATE 2015/03/02	molex DOCUMENT NO. SD-173120-0002
	1 PLACE ± 0.25 \pm ---				SHEET NO. 2 OF 2	
		0 PLACE \pm \pm ---				
		ANGULAR $\pm 1/2^\circ$		SEE CHART		
		DRAFT WHERE APPLICABLE MUST REMAIN WITHIN DIMENSIONS		THIS DRAWING CONTAINS INFORMATION THAT IS PROPRIETARY TO MOLEX INCORPORATED AND SHOULD NOT BE USED WITHOUT WRITTEN PERMISSION		