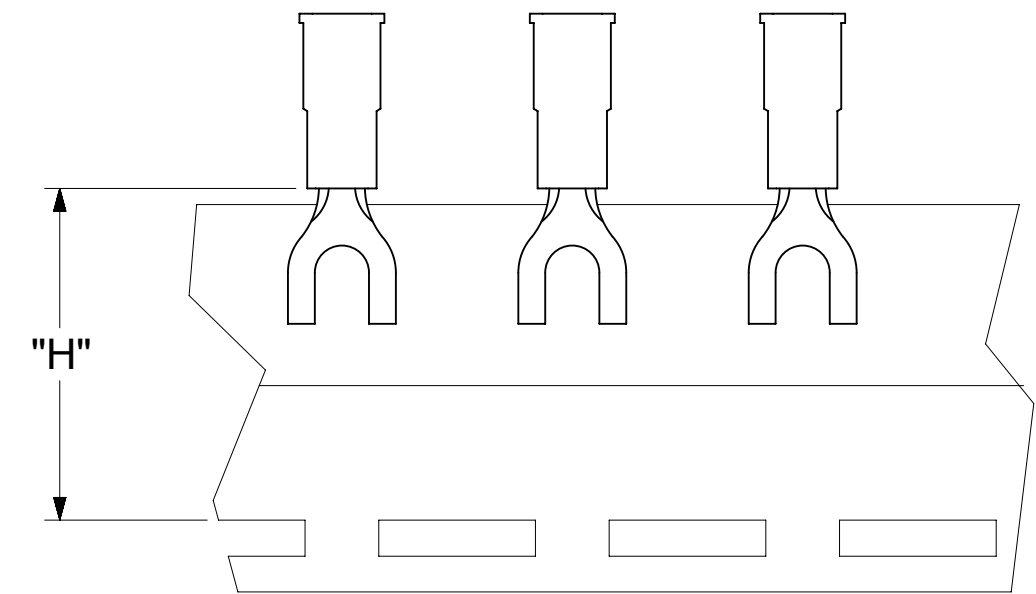
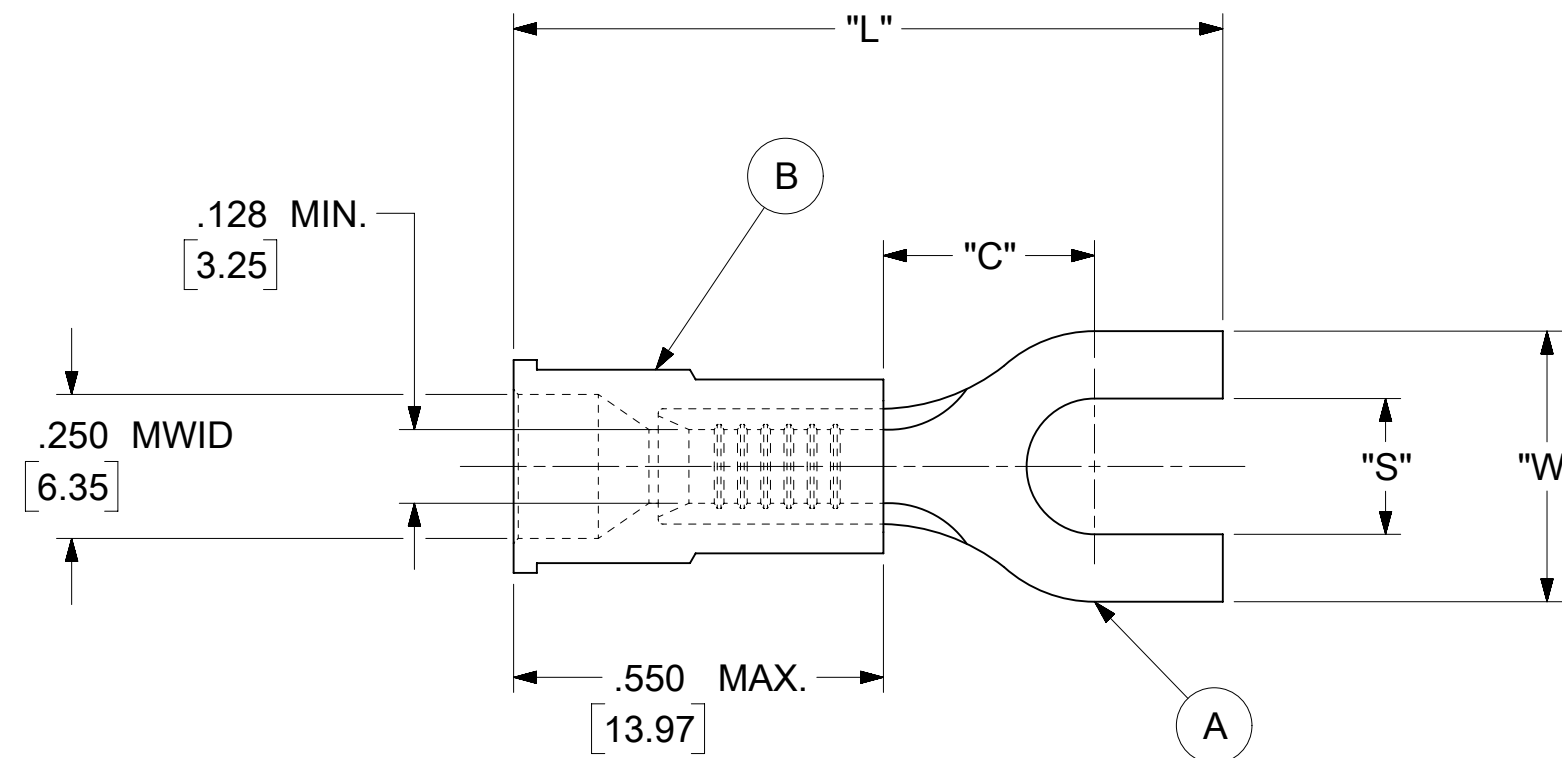


LOOSE PIECE		TAPE MOUNTED		SPECIFICATIONS					
MATERIAL NUMBER	ENGINEERING NUMBER	MATERIAL NUMBER	ENGINEERING NUMBER	STUD SIZE	"S" ±.005 [0.13]	"W" ±.010 [0.25]	"C" MIN.	"L" MAX.	"H"
191440037	C-241-06X	191440038	C-241-06XT	6	.146 [3.71]	.375 [9.53]	.301 [7.65]	1.103 [28.02]	.980 [24.89]
191440039	C-241-08X	191440041	C-241-08XT	8	.173 [4.39]				
191440042	C-241-10X	191440043	C-241-10XT	10	.198 [5.03]				
---	---	---	---	10	.198 [5.03]	.533 [13.54]	.393 [9.98]	1.256 [31.90]	---
---	---	---	---	14	.265 [6.73]				
---	---	---	---	56	.328 [8.33]				



PARTS ON TAPE

NOTES:

- MATERIAL:
 - (A). TERMINAL: COPPER (STOCK THICKNESS .040±.001 [1.02])
PLATING: ELECTRO-TIN (.0003 MIN.)
 - (B). INSULATION: MOLDED PVC (YELLOW)
- MWID: MAXIMUM WIRE INSULATION DIAMETER
- WIRE SIZE: 12 - 10 AWG
4.0 - 6.0 MM²
- "UL" LISTING #E32244
"CSA" LISTING #18689
- ALL DIMENSIONS IN INCHES/[MM].
- PARTS ARE ROHS COMPLIANT.
- DIMS. SHOWN ARE FOR REFERENCE ONLY.

SYMBOLS	THIS DRAWING CONTAINS INFORMATION THAT IS PROPRIETARY TO MOLEX ELECTRONIC TECHNOLOGIES, LLC AND SHOULD NOT BE USED WITHOUT WRITTEN PERMISSION			
	DIMENSION UNITS	SCALE		CURRENT REV DESC: MIGRATION TO ECTR/NX
∇ = 0	INCH/MM	NTS		EC NO: 620268 DRWN: ABENJAMINLW 2019/07/05 CHK'D: DMYRICK 2019/07/08 APPR: JMACNEIL 2019/07/10
∇ = 0	GENERAL TOLERANCES (UNLESS SPECIFIED)			
∇ = 0		MM	INCH	
∇ = 0	4 PLACES	±	±	INITIAL REVISION: DRWN: JJ 1984/10/31 APPR: JMACNEIL 2019/07/10
∇ = 0	3 PLACES	±	± 0.005	
∇ = 0	2 PLACES	± 0.13	± 0.01	DOCUMENT NUMBER: 191440037 DOC TYPE: PSD DOC PART: 000 REVISION: A
∇ = 0	1 PLACE	± 0.25	±	
∇ = 0	0 PLACES	±	±	MATERIAL NUMBER: SEE TABLE CUSTOMER: GENERAL MARKET SHEET NUMBER: 1 OF 1
∇ = 0	ANGULAR TOL ± °			
∇ = 0	DRAFT WHERE APPLICABLE MUST REMAIN WITHIN DIMENSIONS		THIRD ANGLE PROJECTION	DRAWING: C-SIZE
∇ = 0			SERIES: 19144	

NOTES:

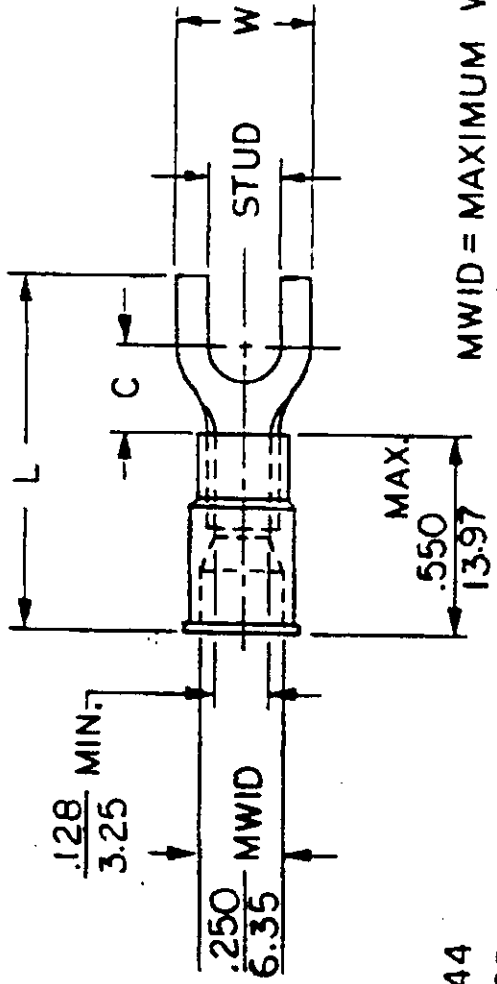
- ① MAT'L: COPPER(STOCK TKN, $\frac{.040}{1.02}$)
- PLATING: ELECTRO-TIN (.0003 MIN.)
- ② INSULATION: MOLDED PVC (YELLOW)

STUD SIZES: ($\pm .005$)

- 02 = .094
- 04 = .119
- 06 = .146
- 08 = .173
- 10 = .198
- 14 = .265
- 56 = .328
- 38 = .390

"UL" LISTING # E32244
 "CSA" LISTING # 18669

ALL DIMENSIONS = $\frac{\text{INCHES}}{\text{MM}}$



MWID = MAXIMUM WIRE
 INSULATION DIAMETER

WIRE SIZE: 12-10 AWG
 4.0-6.0 MM²

PART NUMBER	"W" ±.010	"C" MIN.	"L" MAX.	REFERENCE		SCALE: NTS	DATE	TITLE:
				FRAC.	DEC.			
C-241-	$\frac{.375}{9.53}$	$\frac{.301}{7.65}$	$\frac{1.103}{28.02}$				10-31-84	SPADE TONGUE TERMINAL INSULKRIMP 200-SERIES
C-268-	$\frac{.533}{13.54}$	$\frac{.393}{9.98}$	$\frac{1.256}{31.90}$				11-26-84	

DIMENSIONAL TOLERANCES UNLESS OTHERWISE SPECIFIED		
±	ANG.	
±		

REFERENCE
 DRAWN BY: JJ
 CHKD BY: GZ
 APPRD BY:

DATE
 10-31-84
 11-26-84

TITLE:
 SPADE TONGUE TERMINAL INSULKRIMP 200-SERIES

INCORPORATED

A CUSTOMER DWG.

DWG. NO. A