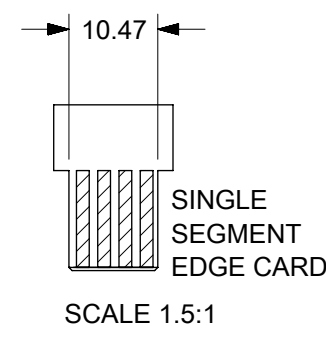
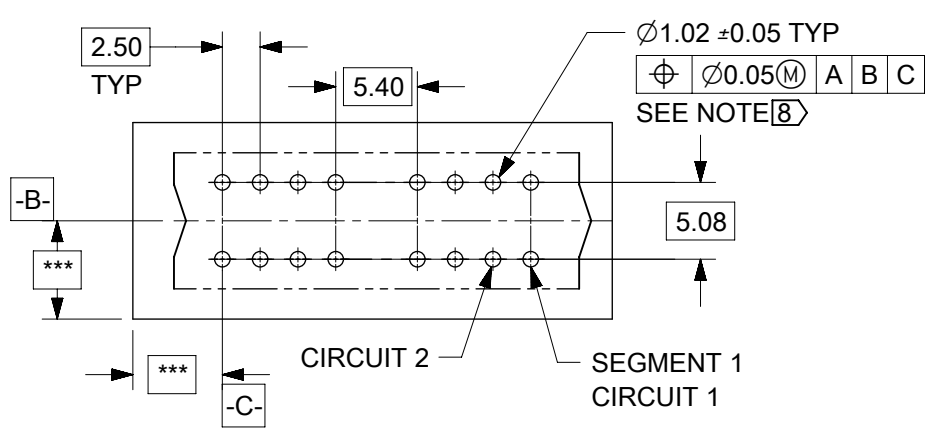


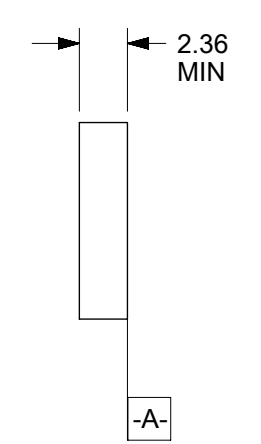
SINGLE SEGMENT MODULE
45844-1000
SCALE 1.5:1



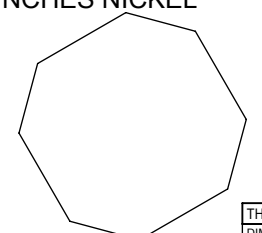
SINGLE SEGMENT EDGE CARD
SCALE 1.5:1



PCB LAYOUT: COMPONENT SIDE
*** = TO BE DETERMINED BY CUSTOMER



RECOMMENDED EDGE CARD LAYOUT
EDGE CARD THICKNESS: 1.57 / .062
PLATING: GOLD 30 uINCHES MIN
OVER 150 uINCHES NICKEL



- NOTES:
- HOUSING MATL: LCP. UL94V-0, BLACK
TERMINAL MATL: COPPER ALLOY
 - FINISH: SELECT GOLD: 30 M.I. MIN IN CONTACT AREA
SELECT TIN: 150 M.I. MIN IN SOLDER AREA
BOTH OVER NICKEL: 50 M.I. MIN
 - PRODUCT SPECIFICATION: PS-45719-001.
 - PACKAGING SPECIFICATION: ES-45714-001.
 - PCB THICKNESS: SEE CHART
 - EDGE CARD THICKNESS: 1.57±0.08
 - DIMENSIONS GIVEN ACROSS CENTERLINES ARE SYMMETRICAL ABOUT THOSE CENTERLINES WITHIN HALF THE TOTAL TOLERANCE
 - PCB HOLE SPECIFICATION: SEE PS-45719-001.
 - THIS EDGE WILL TOUCH HOUSING WHEN EDGE CARD IS FULLY SEATED

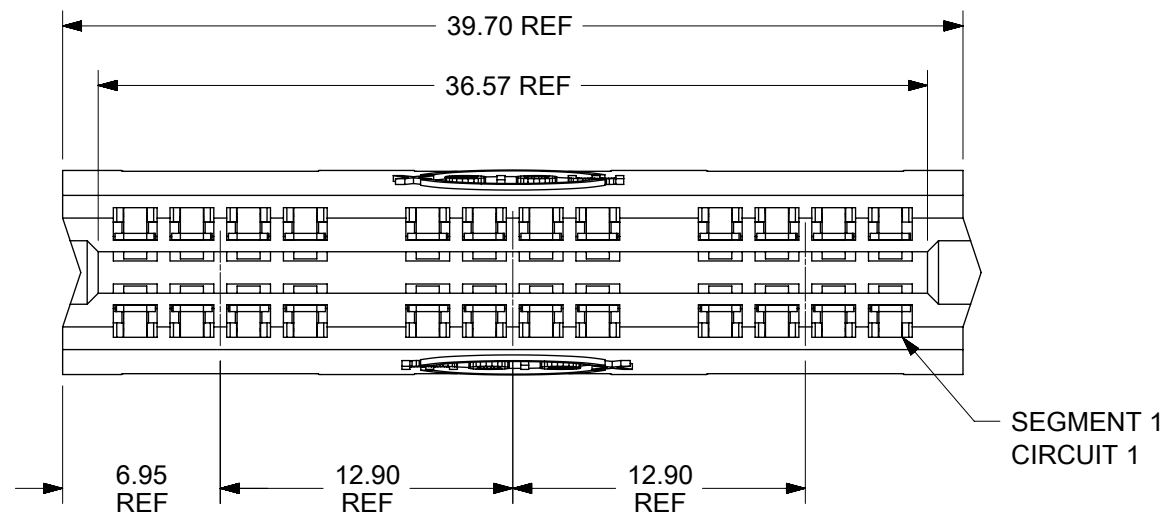
	MATERIAL NUMBER	SEG'S	DIM P	PCB THK
	45844-1000	1	4.33	3.18/2.36
	45844-1001	1	2.91	1.57
	45844-0001	2	4.33	3.18/2.36
	45844-0004	2	2.91	1.57

THIS DRAWING CONTAINS INFORMATION THAT IS PROPRIETARY TO MOLEX ELECTRONIC TECHNOLOGIES, LLC AND SHOULD NOT BE USED WITHOUT WRITTEN PERMISSION

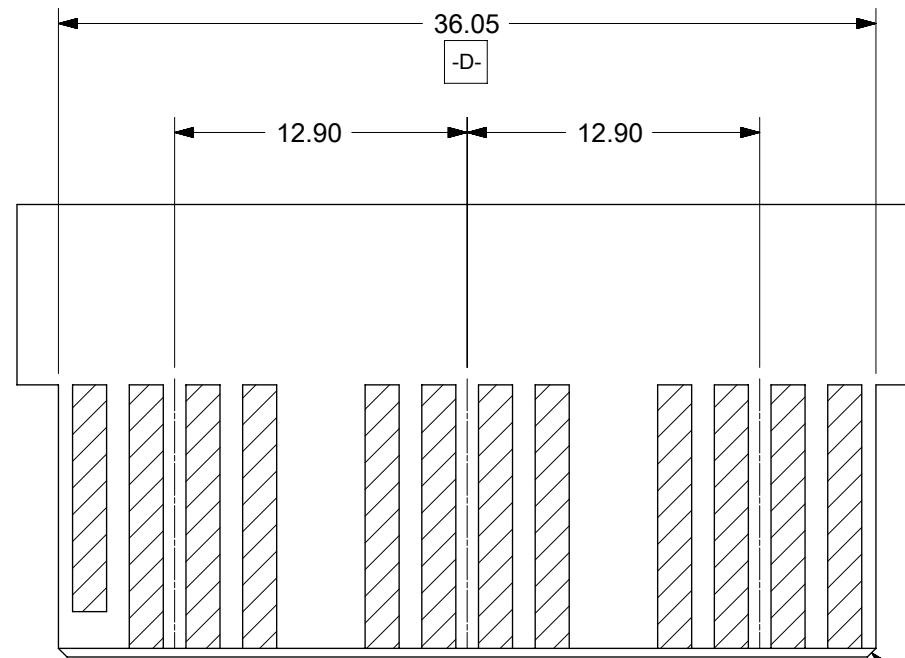
DIMENSION UNITS MM	SCALE 2:1	CURRENT REV DESC: TAIL LENGTH UPDATE	
GENERAL TOLERANCES (UNLESS SPECIFIED)		EC NO: 611748	
ANGULAR TOL	± 0.5°	DRWN: MBELLE	2019/06/21
4 PLACES	±	CHK'D: MBELLE	2019/07/16
3 PLACES	±	APPR: HTHYAGARAJ	2019/07/26
2 PLACES	± 0.25	INITIAL REVISION:	
1 PLACE	±	DRWN: MARGULIS	2004/07/29
0 PLACES	±	APPR: MARGULIS	2004/07/29
DRAFT WHERE APPLICABLE MUST REMAIN WITHIN DIMENSIONS	THIRD ANGLE PROJECTION	DRAWING	SERIES
		B-SIZE	45844

molex			
POWER EDGE ASSEMBLY SIGNAL VERTICAL SOLDER TAIL			
PRODUCT CUSTOMER DRAWING			
DOCUMENT NUMBER	DOC TYPE	DOC PART	REVISION
SD-45844-001	PSD	001	F6
MATERIAL NUMBER	CUSTOMER	SHEET NUMBER	
SEE CHART	GENERAL MARKET	1 OF 3	

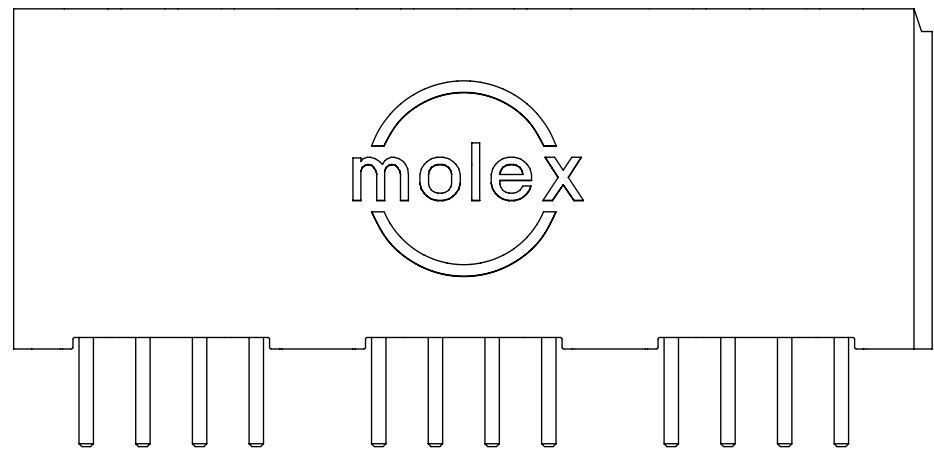
DOCUMENT STATUS	RELEASE DATE
-----------------	--------------



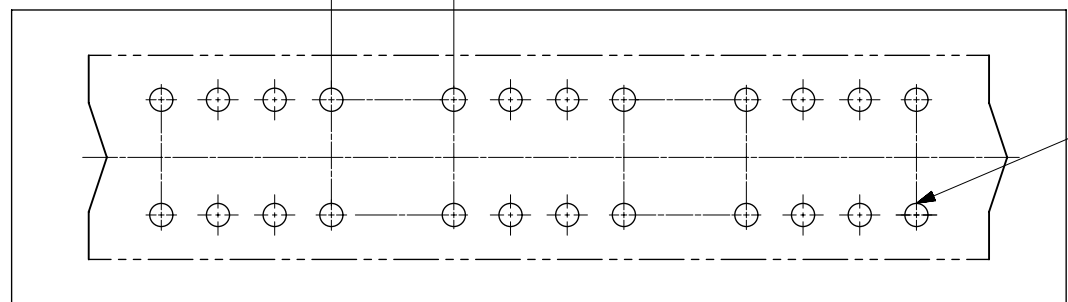
SEE SHEET ONE FOR NOTES AND DIMENSIONS NOT SHOWN



RECOMMENDED EDGE CARD LAYOUT:
TOLERANCE: ±0.05

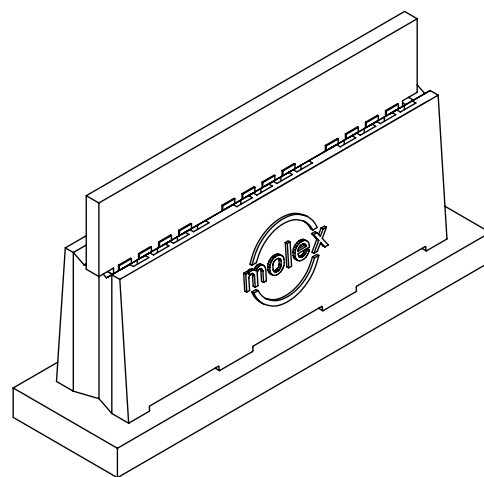


5.40
TYP 2



PCB LAYOUT: COMPONENT SIDE

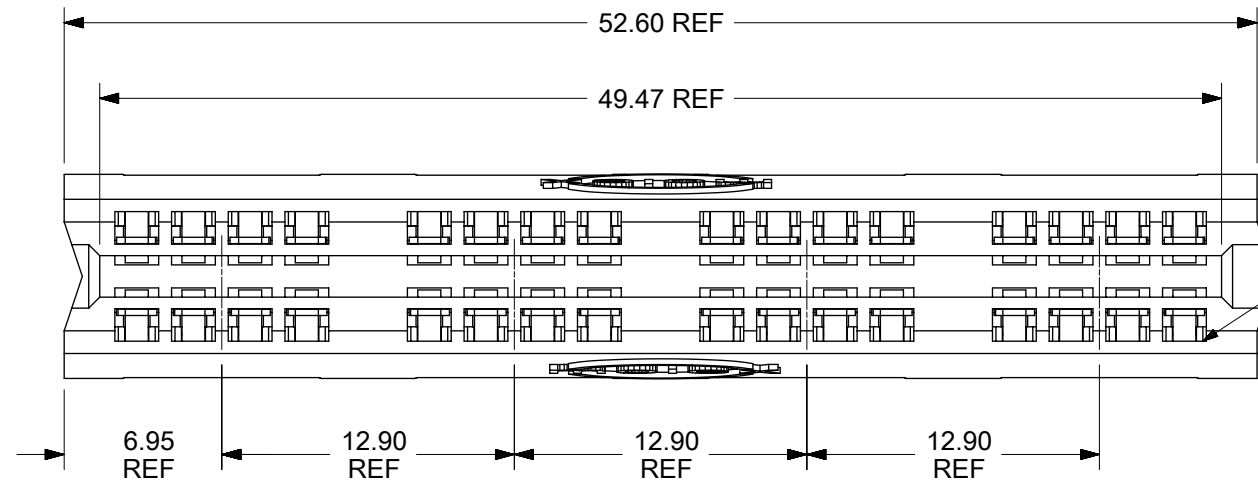
SEGMENT 1
CIRCUIT 1



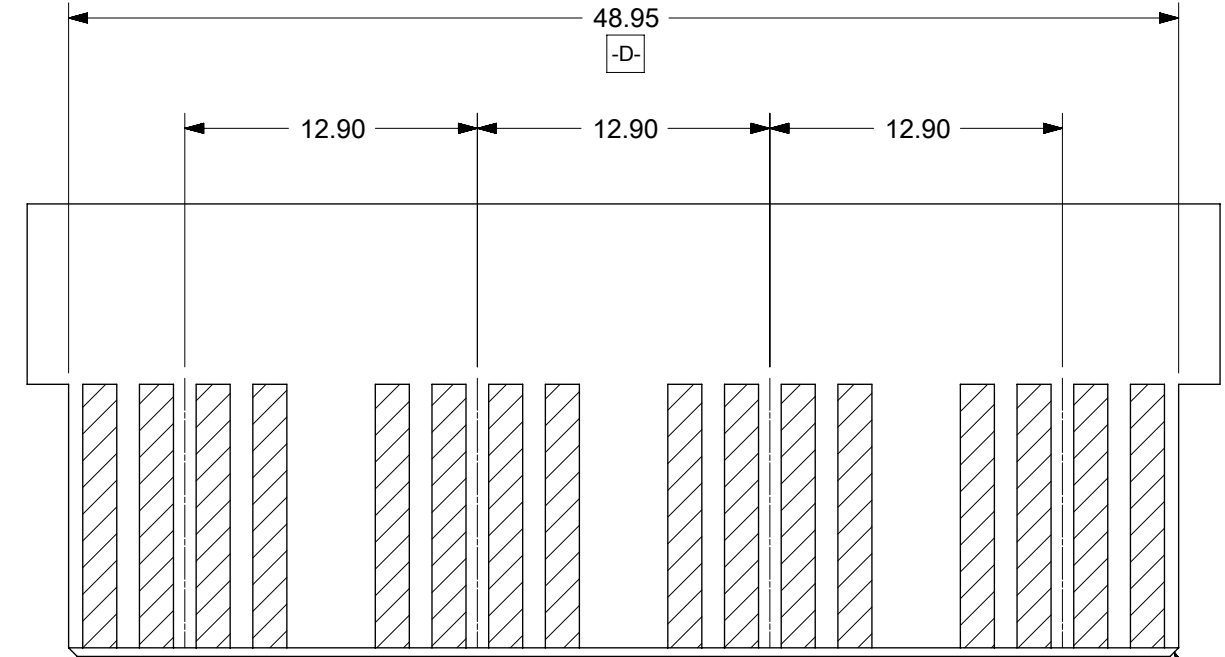
TOOLING STATUS	MATERIAL NUMBER	SEG'S	DIM P	PCB THICK
TOOLED	45844-0002	3	4.33	3.18/2.36
TOOLED	45844-0005	3	2.91	1.57

THIS DRAWING CONTAINS INFORMATION THAT IS PROPRIETARY TO MOLEX ELECTRONIC TECHNOLOGIES, LLC AND SHOULD NOT BE USED WITHOUT WRITTEN PERMISSION									
DIMENSION UNITS MM	SCALE 2:1	CURRENT REV DESC: TAIL LENGTH UPDATE							
GENERAL TOLERANCES (UNLESS SPECIFIED)		<p>molex</p> <p>POWER EDGE ASSEMBLY SIGNAL VERTICAL SOLDER TAIL</p> <p>PRODUCT CUSTOMER DRAWING</p>							
ANGULAR TOL	± 0.5°								
4 PLACES	±								
3 PLACES	±								
2 PLACES	± 0.25								
1 PLACE	±	EC NO: 611748	2019/06/21		<p>DOCUMENT NUMBER: SD-45844-001</p> <p>DOC TYPE: PSD DOC PART: 001 REVISION: F6</p>				
0 PLACES	±	DRWN: MBELLE	2019/07/16						
DRAFT WHERE APPLICABLE MUST REMAIN WITHIN DIMENSIONS		APPR: HTHYAGARAJ	2019/07/26		INITIAL REVISION:		2004/07/29		
THIRD ANGLE PROJECTION		DRWING	SERIES	MATERIAL NUMBER	CUSTOMER	SHEET NUMBER			
		B-SIZE	45844	SEE CHART	GENERAL MARKET	2 OF 3			

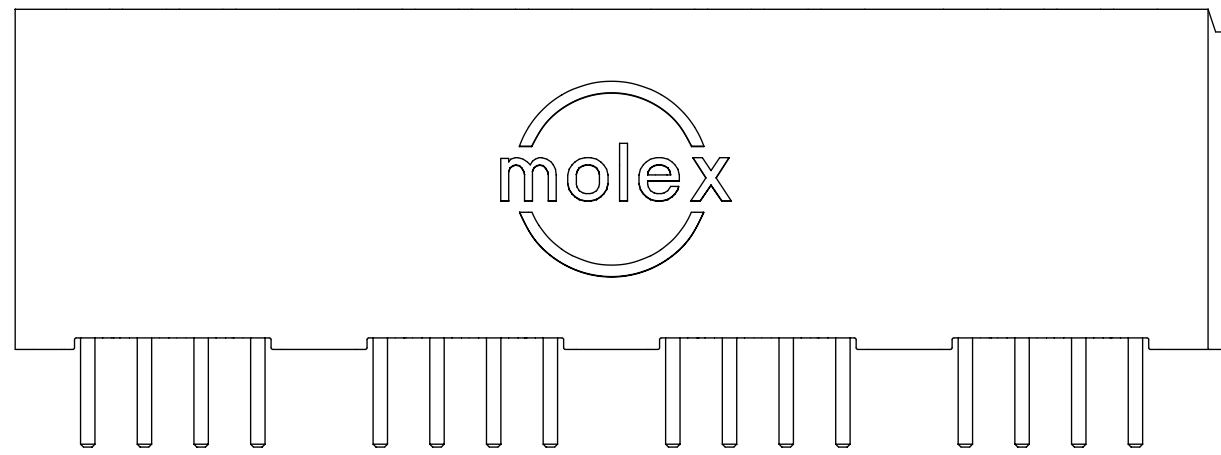
SEE SHEET ONE FOR NOTES AND DIMENSIONS NOT SHOWN



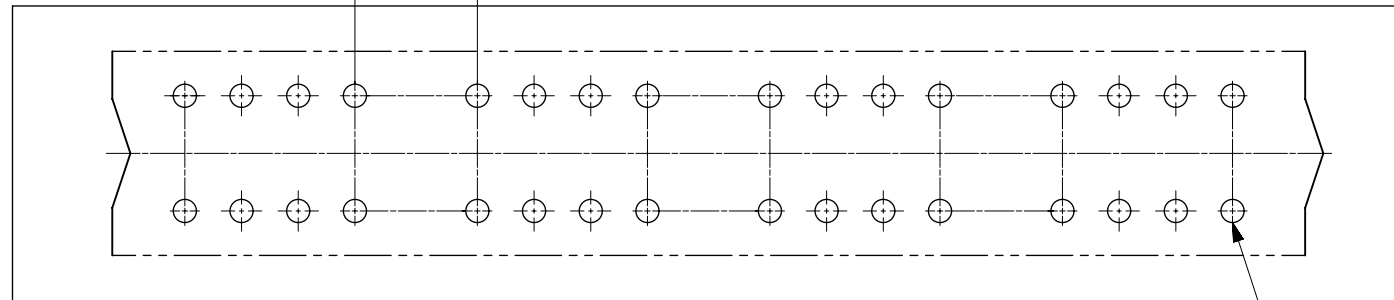
SEGMENT 1
CIRCUIT 1



SEGMENT 1
CIRCUIT 1



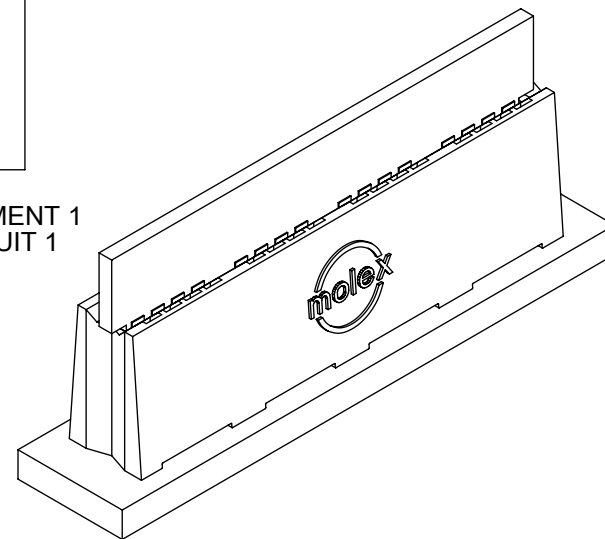
5.40
TYP 3



PCB LAYOUT: COMPONENT SIDE

SEGMENT 1
CIRCUIT 1

RECOMMENDED EDGE CARD LAYOUT
TOLERANCE: ±0.05



TOOLING STATUS	MATERIAL NUMBER	SEG'S	DIM P	PCB THK
TOOLED	45844-0003	4	4.33	3.18/2.36
TOOLED	45844-0006	4	2.91	1.57

THIS DRAWING CONTAINS INFORMATION THAT IS PROPRIETARY TO MOLEX ELECTRONIC TECHNOLOGIES, LLC AND SHOULD NOT BE USED WITHOUT WRITTEN PERMISSION									
DIMENSION UNITS MM		SCALE 2:1		CURRENT REV DESC: TAIL LENGTH UPDATE					
GENERAL TOLERANCES (UNLESS SPECIFIED)				<p>molex</p> <p>POWER EDGE ASSEMBLY SIGNAL VERTICAL SOLDER TAIL</p> <p>PRODUCT CUSTOMER DRAWING</p>					
ANGULAR TOL		± 0.5°							
4 PLACES		±							
3 PLACES		±							
2 PLACES		± 0.25							
1 PLACE		±		EC NO: 611748		2019/06/21		<p>DOCUMENT NUMBER SD-45844-001</p> <p>DOC TYPE PSD</p> <p>DOC PART 001</p> <p>REVISION F6</p>	
0 PLACES		±		DRWN: MARGULIS		2004/07/29			
INITIAL REVISION:				CHK'D: MBELLE		2019/07/16			
DRAFT WHERE APPLICABLE MUST REMAIN WITHIN DIMENSIONS				APPR: HTHYAGARAJ		2019/07/26			
THIRD ANGLE PROJECTION				APPR: MARGULIS		2004/07/29			
DRAWING		SERIES		MATERIAL NUMBER		CUSTOMER		SHEET NUMBER	
B-SIZE		45844		SEE CHART		GENERAL MARKET		3 OF 3	

6

5

4

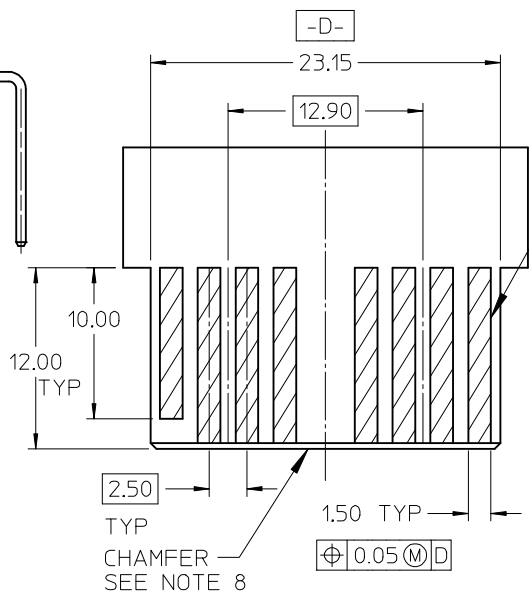
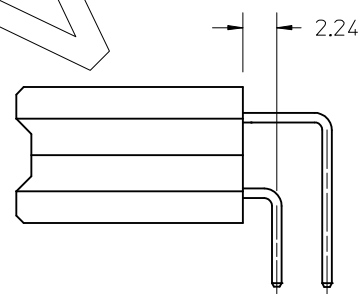
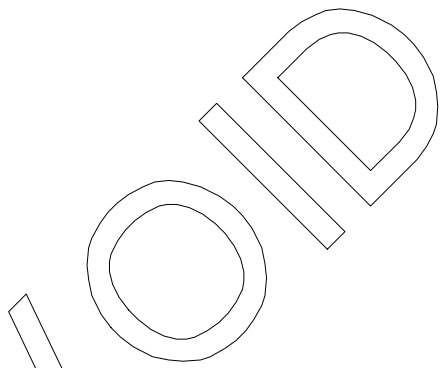
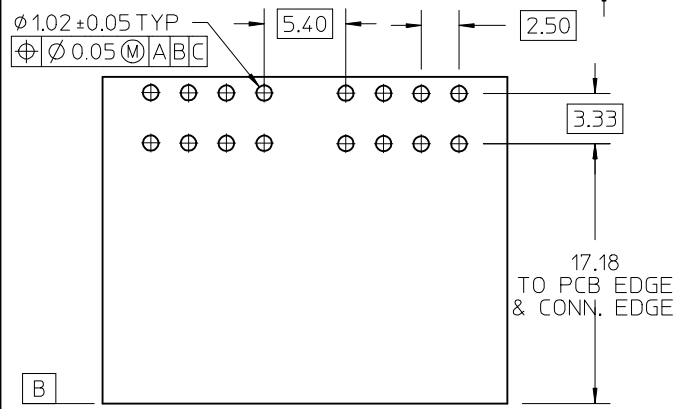
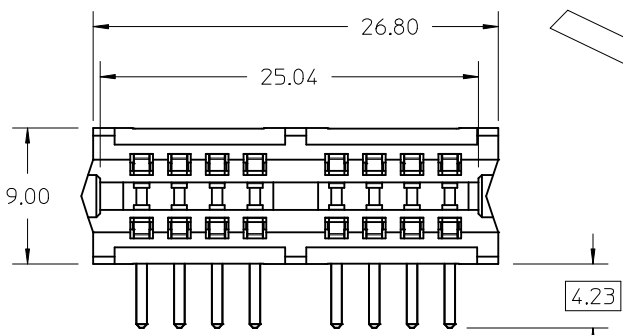
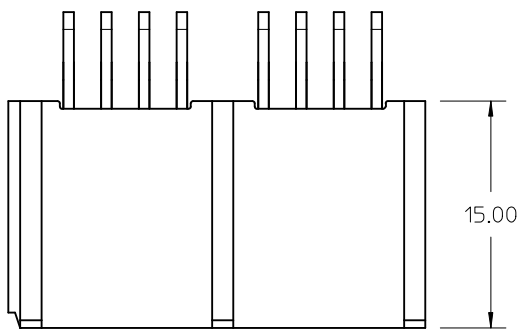
3

2

1

NOTES:

- HOUSING MATL: LCP, UL94V-0, BLACK
TERMINAL MATL: COPPER ALLOY
- FINISH: SELECT GOLD: 30 M.I. MIN IN CONTACT AREA
SELECT TIN: 150 M.I. MIN IN SOLDER AREA
BOTH OVER NICKEL: 50 M.I. MIN
- PRODUCT SPECIFICATION: PS-45719-001.
- PACKAGING SPECIFICATION: PK-45714-001.
- PCB THICKNESS: SEE CHART
- EDGE CARD THICKNESS: 1.57±0.15
- DIMENSIONS GIVEN ACROSS CENTERLINES ARE SYMMETRICAL ABOUT THOSE CENTERLINES WITHIN HALF THE TOTAL TOLERANCE.
- 0.50 X 45° CHAMFER ON LEADING EDGE, TYP 4 SIDES.



SEGMENT 1
CIRCUIT 1

RECOMMENDED EDGE CARD LAYOUT
TOLERANCE: ±0.05

SEG's	MATERIAL NUMBER	DIM P	PCB THK
2	45844-0901	4.23	3.18/2.36
2	45844-0904	3.19	1.57

VOID DRAWING	EC NO: UCP2015-0887	DRWN: JSCHAFAER	2014/11/06
	CHKD: APATEL	APPR: APATEL	2014/11/10
REV	DESCRIPTION		
A			

GENERAL TOLERANCES (UNLESS SPECIFIED)	
	mm INCH
4 PLACES	± --- ± ---
3 PLACES	± --- ± ---
2 PLACES	± 0.25 ± ---
1 PLACE	± --- ± ---
ANGULAR ± 1/2°	
DRAFT WHERE APPLICABLE MUST REMAIN WITHIN DIMENSIONS	

DIMENSION STYLE	
MM ONLY	
DRAWN BY	DATE
JSCHAFAER	2011/11/07
CHECKED BY	DATE
APPROVED BY	DATE
APATEL	2014/08/25
SEE CHART	
SIZE	A

SCALE	2:1
DESIGN UNITS	METRIC
THIRD ANGLE PROJECTION	
TITLE	
POWER EDGE ASSEMBLY SIGNAL RT ANGLE SOLDER TAIL	
MOLEX INCORPORATED	
DOCUMENT NO.	SD-45844-002
SHEET NO.	1 OF 4

5

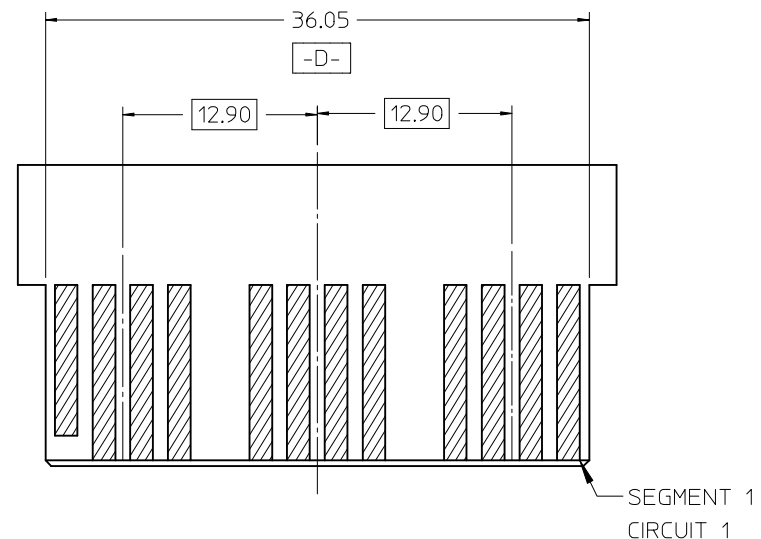
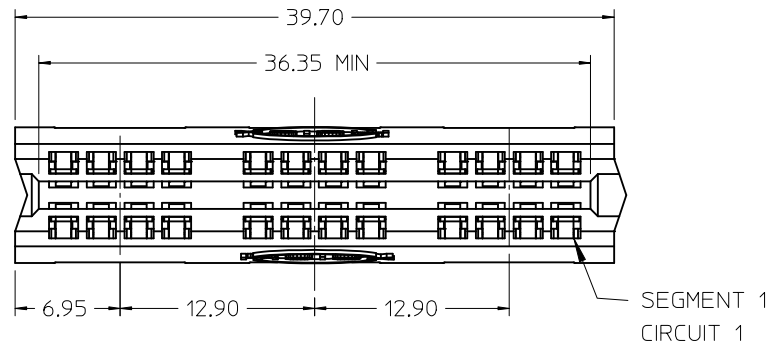
4

3

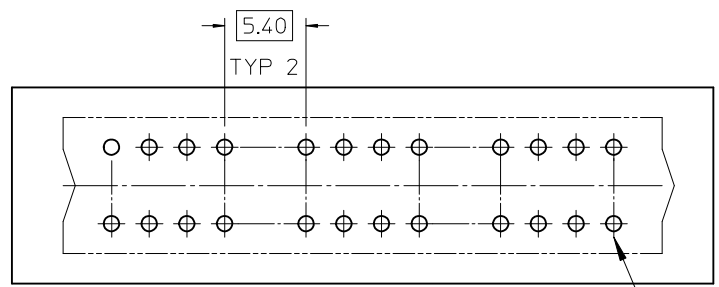
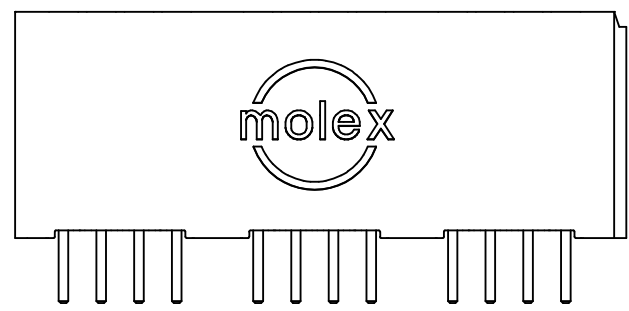
2

1

SEE SHEET ONE FOR NOTES AND DIMENSIONS NOT SHOWN

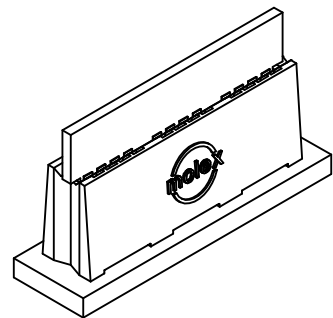


RECOMMENDED EDGE CARD LAYOUT:
TOLERANCE: ±0.05



PBC LAYOUT: COMPONENT SIDE

SEG's	MATERIAL NUMBER	DIM P	PCB THK
3	45844-0902	4.23	3.18/2.36
3	45844-0905	3.19	1.57



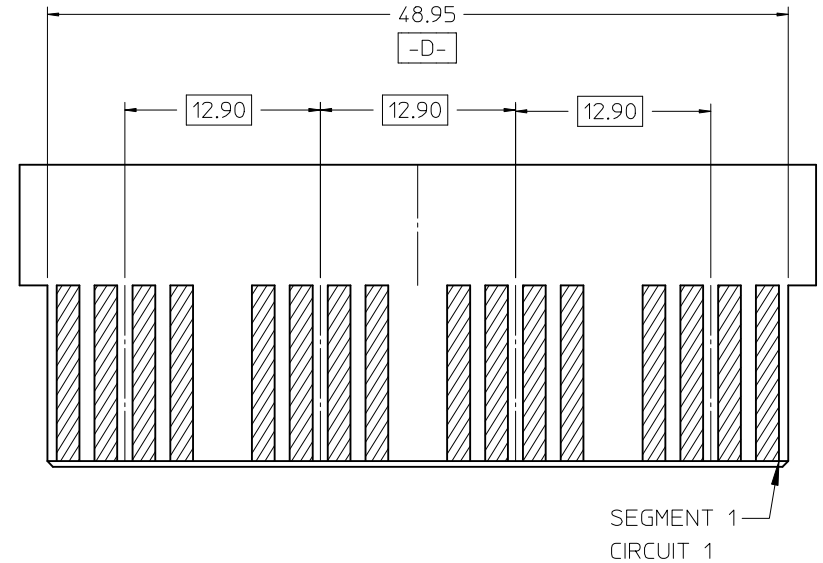
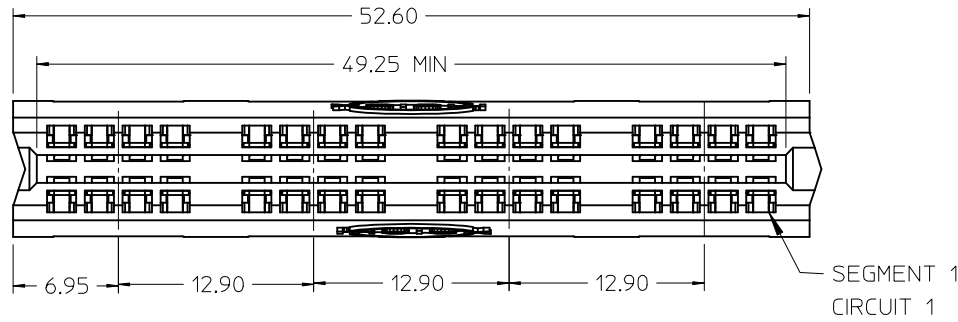
EC NO: UCP2015-0887	DRWN: JSCHAFFER	2014/11/06	DESCRIPTION
CHKD: APATEL	2014/11/10		
APPR: APATEL			
REV			

GENERAL TOLERANCES (UNLESS SPECIFIED)		
	mm	INCH
4 PLACES	± ---	± ---
3 PLACES	± ---	± ---
2 PLACES	± 0.25	± ---
1 PLACE	± ---	± ---
ANGULAR ± 1/2°		
DRAFT WHERE APPLICABLE MUST REMAIN WITHIN DIMENSIONS		

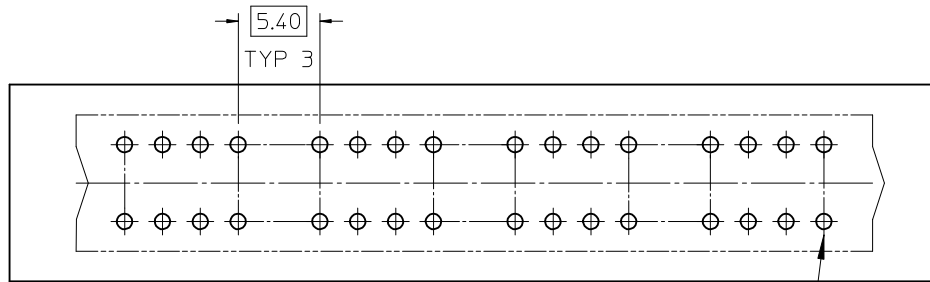
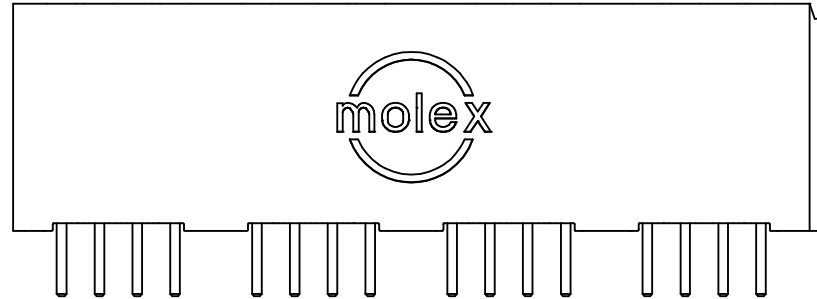
DIMENSION STYLE	
MM ONLY	
DRAWN BY	DATE
JSCHAFFER	2011/11/07
CHECKED BY	DATE
APPROVED BY	DATE
APATEL	2014/08/25
MATERIAL NUMBER	SEE CHART
SIZE	A

SCALE	2:1	DESIGN UNITS	METRIC	THIRD ANGLE PROJECTION
TITLE				
POWER EDGE ASSEMBLY SIGNAL RT ANGLE SOLDER TAIL				
molex MOLEX INCORPORATED				
DOCUMENT NO.				SHEET NO.
SD-45844-002				2
THIS DRAWING CONTAINS INFORMATION THAT IS PROPRIETARY TO MOLEX INCORPORATED AND SHOULD NOT BE USED WITHOUT WRITTEN PERMISSION				

SEE SHEET ONE FOR NOTES AND DIMENSIONS NOT SHOWN

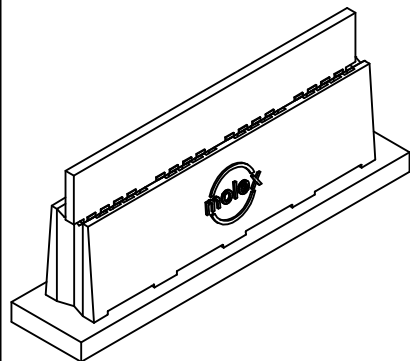


RECOMMENDED EDGE CARD LAYOUT
TOLERANCE:±0.05



PCB LAYOUT: COMPONENT SIDE

SEG's	MATERIAL NUMBER	DIM P	PCB THK
4	45844-0903	4.23	3.18/2.36
4	45844-0906	3.19	1.57



EC NO: UCP2015-0887	DRWN: JSCHAFFER	2014/11/06
CHKD: APATEL	APPR: APATEL	2014/11/10
REV	DESCRIPTION	
A		

GENERAL TOLERANCES (UNLESS SPECIFIED)		
	mm	INCH
4 PLACES	± ---	± ---
3 PLACES	± ---	± ---
2 PLACES	± 0.25	± ---
1 PLACE	± ---	± ---
ANGULAR ±1/2°		
DRAFT WHERE APPLICABLE MUST REMAIN WITHIN DIMENSIONS		

DIMENSION STYLE MM ONLY	
DRAWN BY JSCHAFFER	DATE 2011/11/07
CHECKED BY	DATE
APPROVED BY APATEL	DATE 2014/08/25
MATERIAL NUMBER SEE CHART	

SCALE 2:1	DESIGN UNITS METRIC	THIRD ANGLE PROJECTION
TITLE POWER EDGE ASSEMBLY SIGNAL RT ANGLE SOLDER TAIL		
MOLEX INCORPORATED		
DOCUMENT NO. SD-45844-002	SHEET NO. 3	
THIS DRAWING CONTAINS INFORMATION THAT IS PROPRIETARY TO MOLEX INCORPORATED AND SHOULD NOT BE USED WITHOUT WRITTEN PERMISSION		

6

5

4

3

2

1

D

C

B

A

ADD END LATCH OPTION

EC NO: UCP2015-0887
DRWN: JSCHAFER 2014/11/06
CHKD:
APPR: APATEL 2014/11/10

REV	DESCRIPTION
A	

QUALITY SYMBOLS		
	=0	
	=0	
GENERAL TOLERANCES (UNLESS SPECIFIED)		
	mm	INCH
4 PLACES	± ---	± ---
3 PLACES	± ---	± ---
2 PLACES	± 0.25	± ---
1 PLACE	± ---	± ---
ANGULAR ±1/2°		
DRAFT WHERE APPLICABLE MUST REMAIN WITHIN DIMENSIONS		

DIMENSION STYLE	
MM ONLY	
DRAWN BY	DATE
JSCHAFER	2011/11/07
CHECKED BY	DATE
APPROVED BY	DATE
APATEL	2014/08/25
MATERIAL NO.	SEE CHARTS
SIZE	A

SCALE	DESIGN UNITS		THIRD ANGLE PROJECTION
2:1	METRIC		
TITLE			
POWER EDGE ASSEMBLY SIGNAL RT ANGLE SOLDER TAIL			
MOLEX INCORPORATED			
DOCUMENT NO.		SHEET NO.	
SD-45844-002		4 OF 4	

5

4

3

2

1