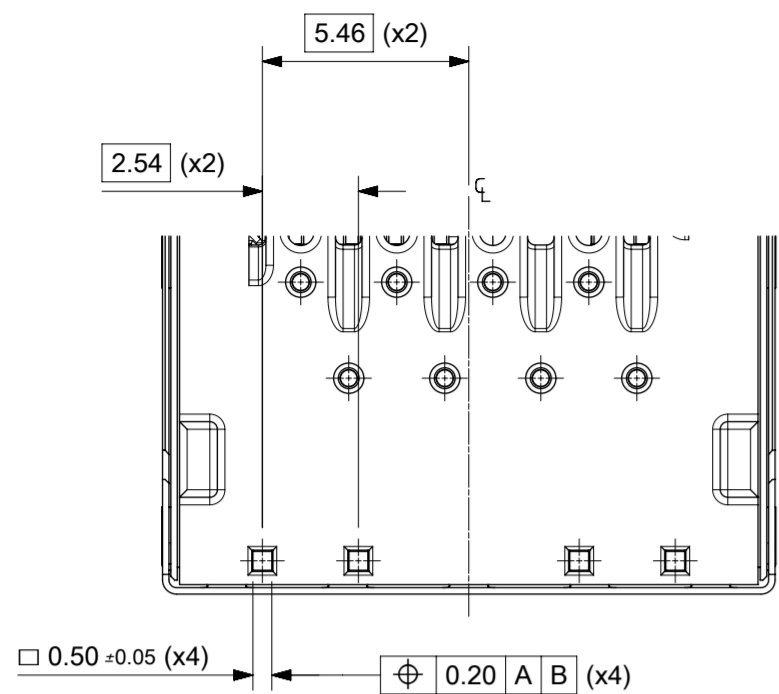
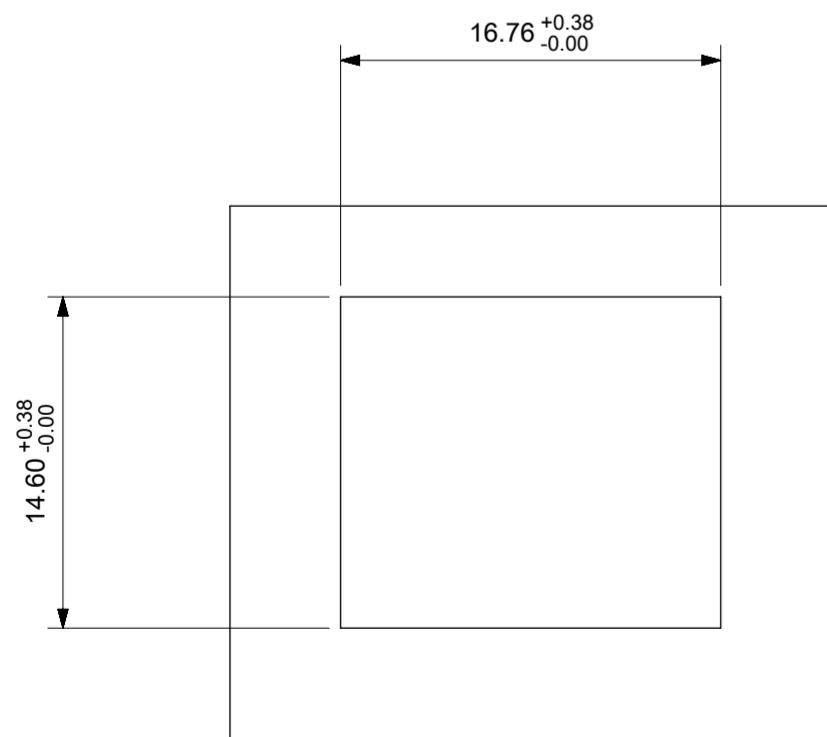
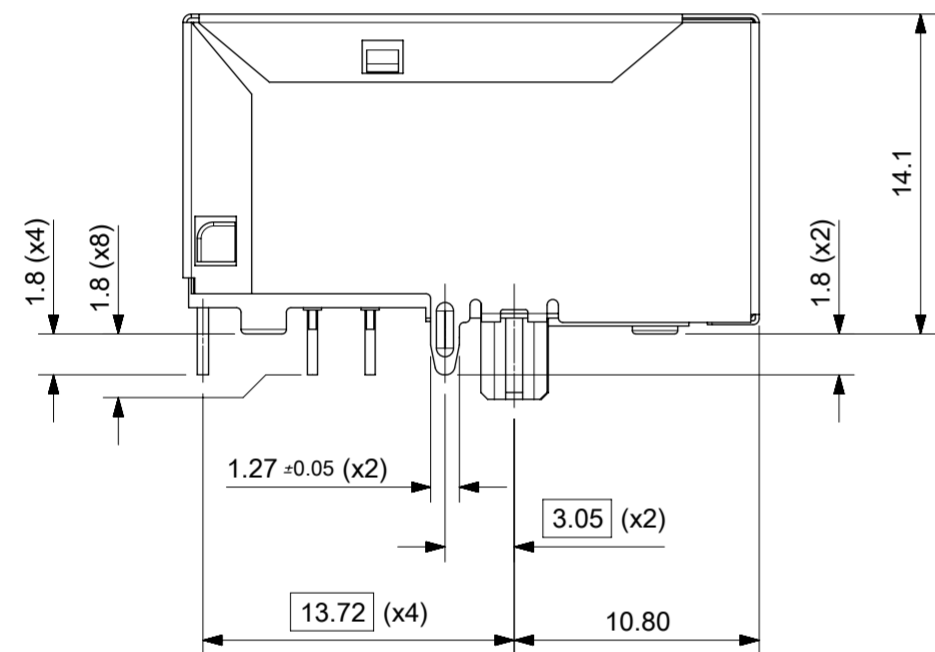


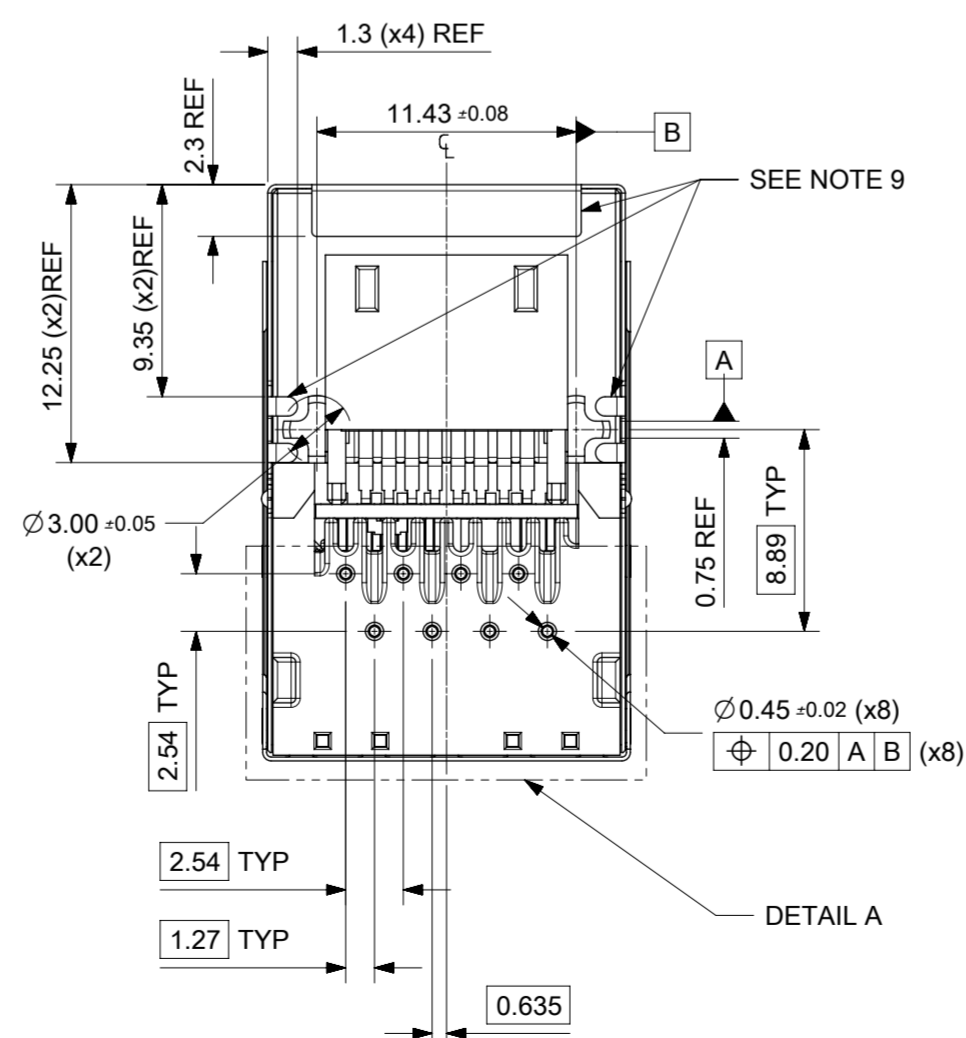
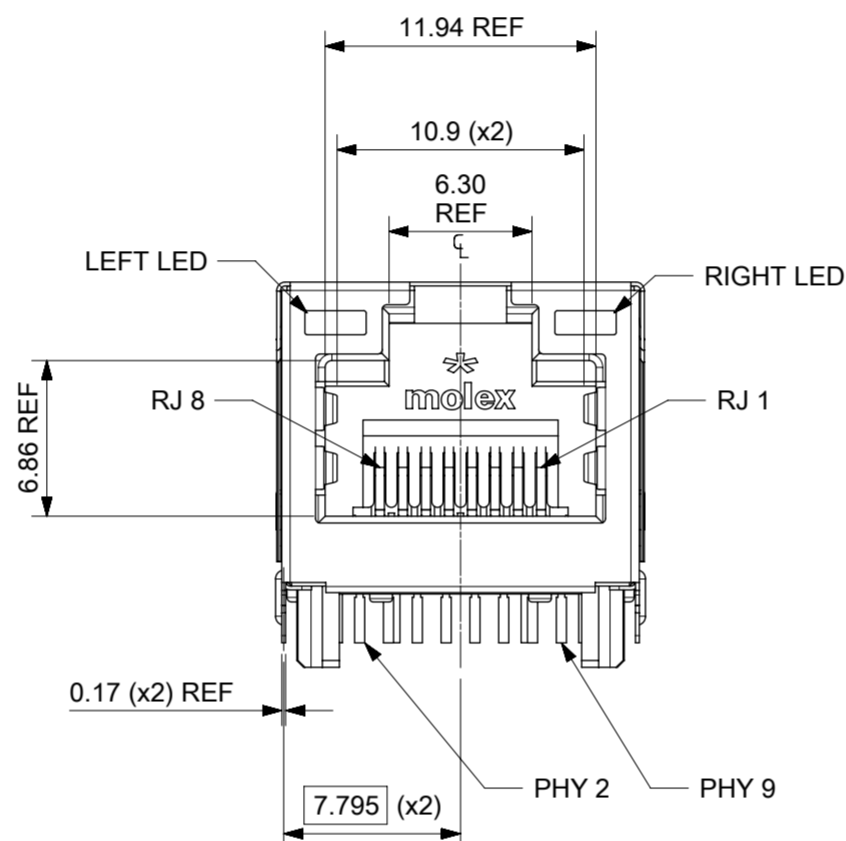
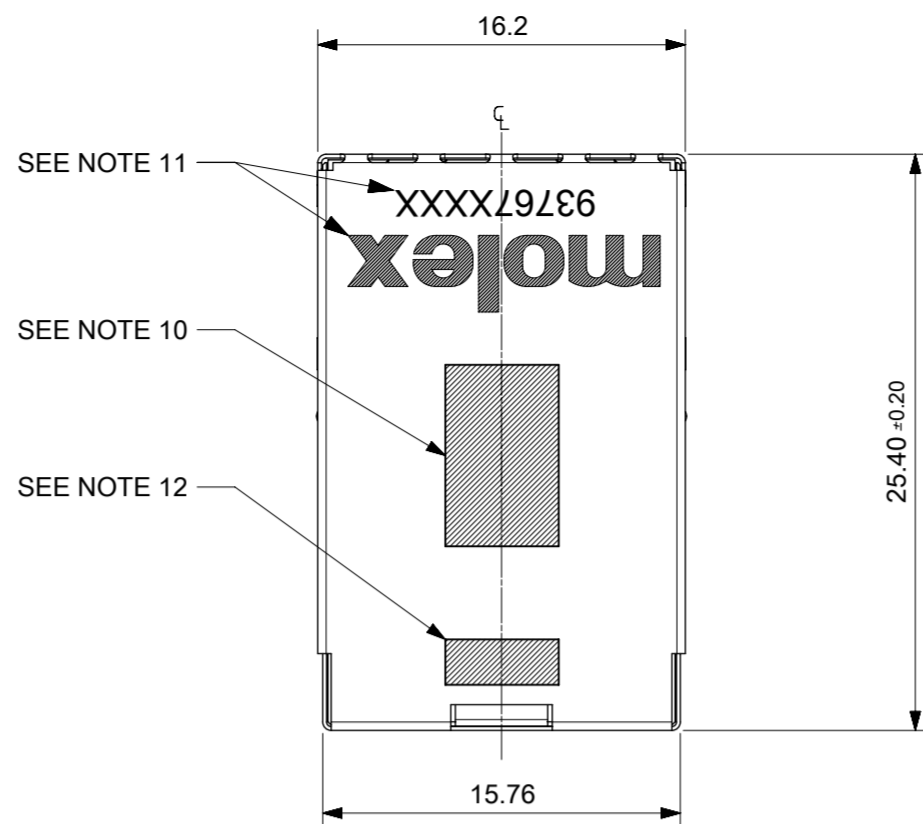
INVERTED PROFILE MAGNETIC JACK
FAST ETHERNET W/LED



DETAIL A
SCALE 5:1

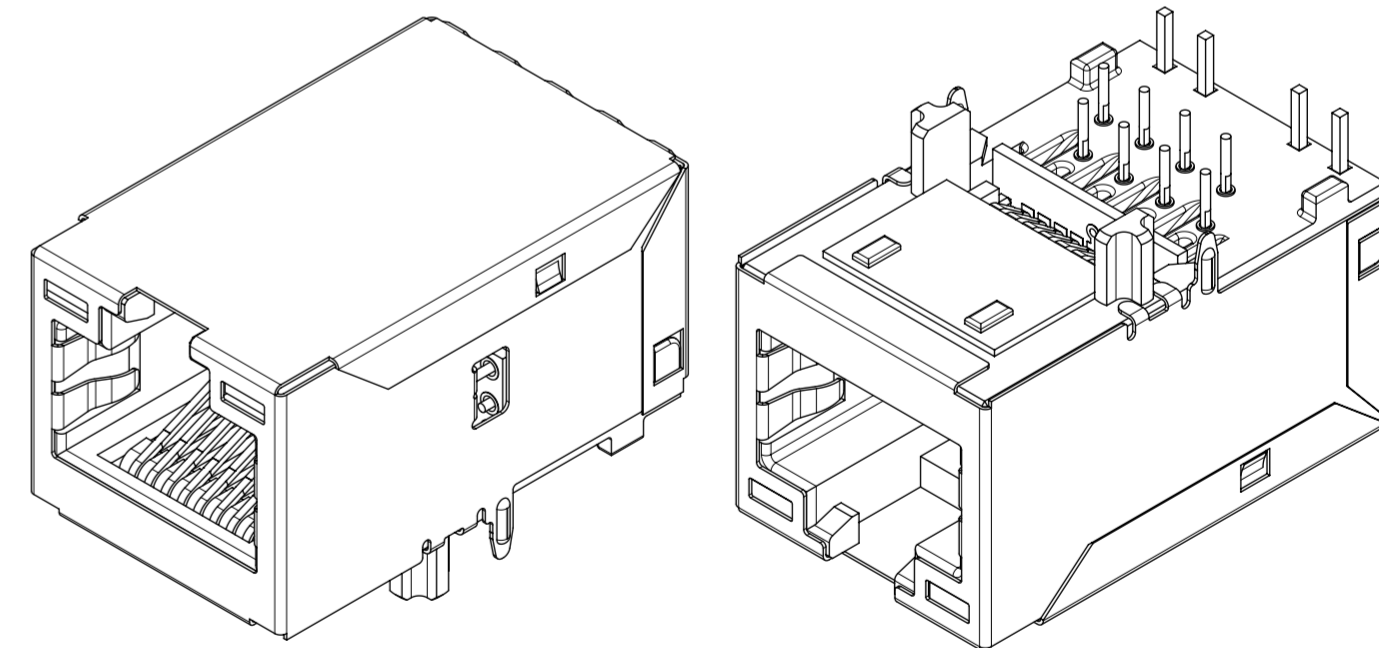


SUGGESTED PANEL OUT-OUT

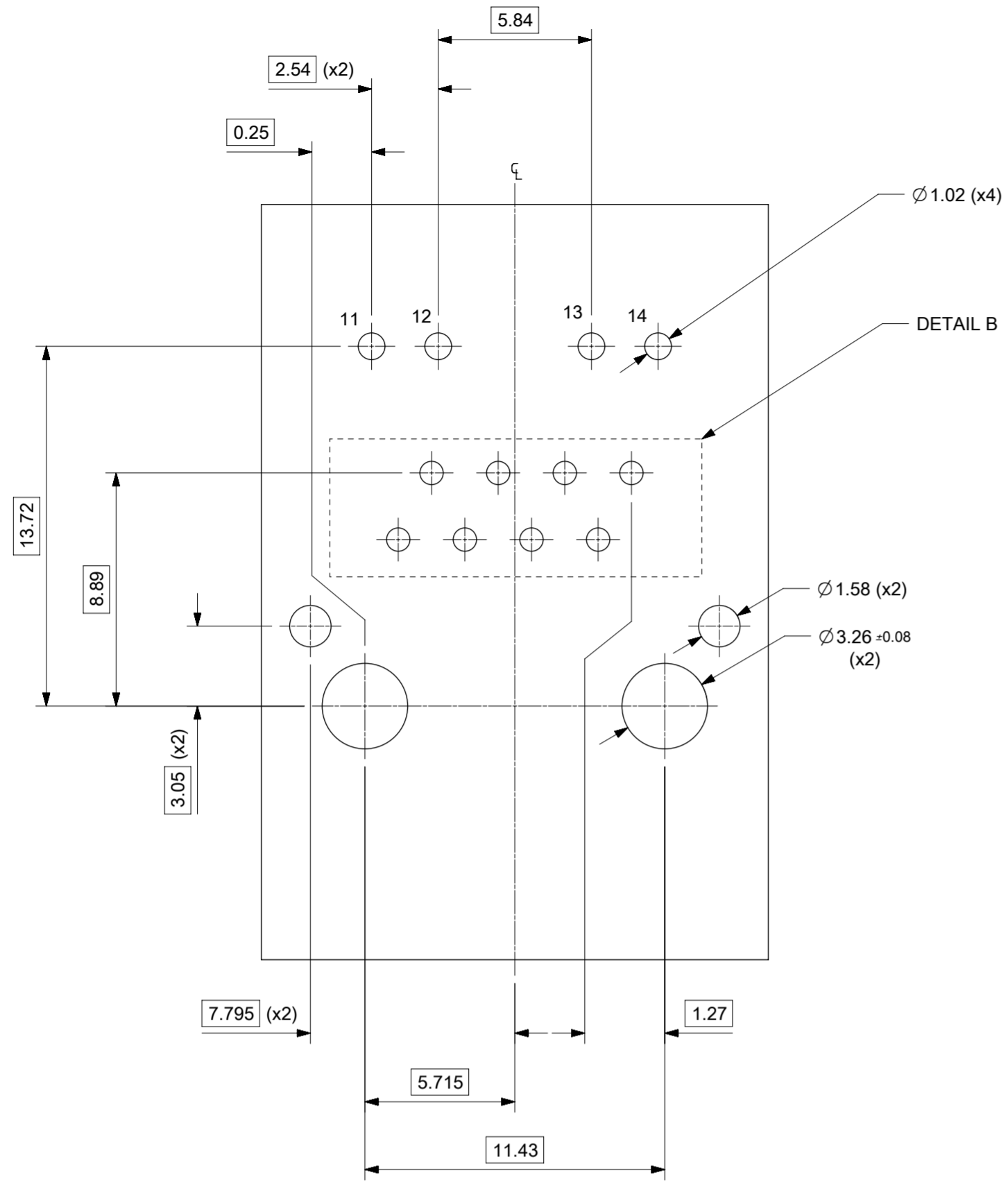


NOTES:

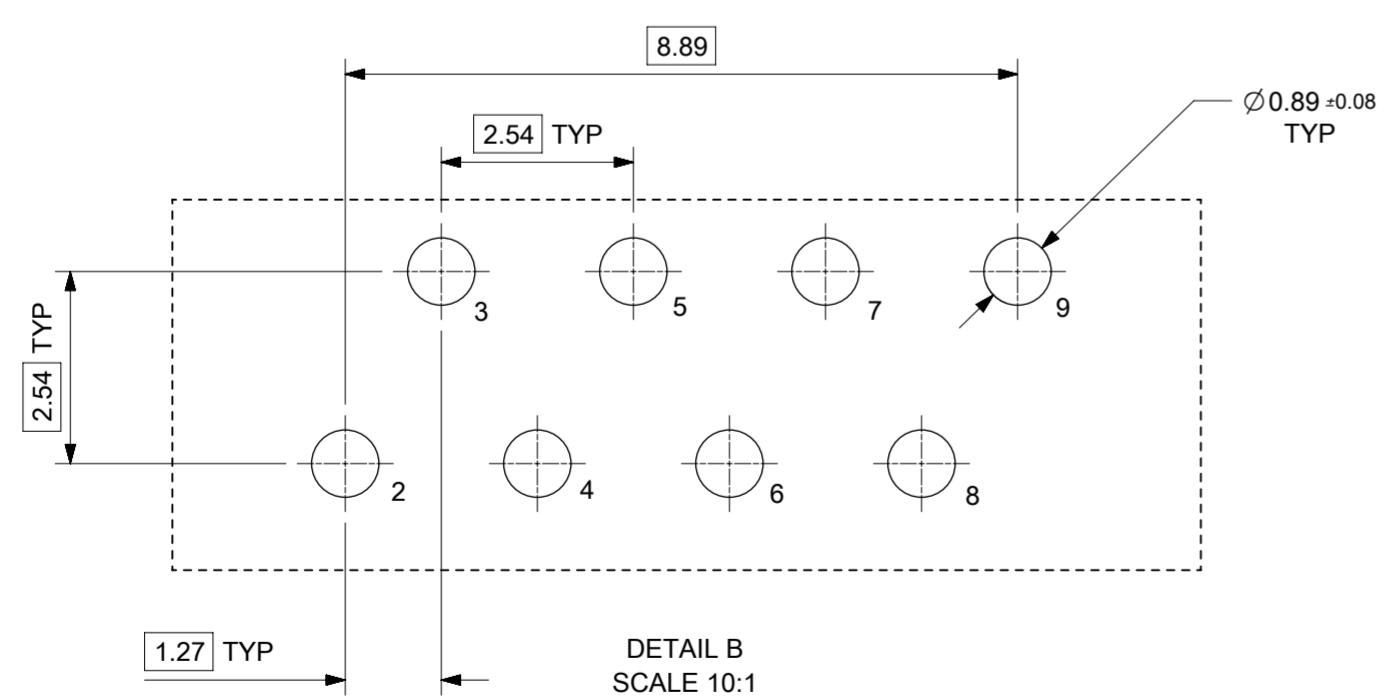
- 1 - SHIELD MATERIAL: 0.17MM THICK BRASS PRE-PLATED WITH NICKEL.
SOLDER TABS POST DIPPED WITH MIN. 1.27µm TIN
- 2 - HOUSING MATERIAL: LCP, BLACK, UL 94V-0.
- 3 - TERMINALS MATERIAL: PHOSPHOR BRONZE.
RJ45 CONTACT PLATING: BASE NICKEL, GOLD FLASH OVER PALLADIUM NICKEL.
PHY SOLDER TAILS: COPPER ALLOY REFER TO 934620001 PSP.
- 4 - MATING INTERFACE ACCORDING TO IEC 60603-7 & TIA-1096-A.
- 5 - PRODUCT SPECIFICATION: 934620001 PSP.
- 6 - PACKAGING SPECIFICATION: 934620002 PSK TAPE & REEL.
TAPE AND REEL DRAWING NUMBER: 990449058 PSDK
- 7 - STAND OFF TO SYSTEM BOARD 0.30 mm MIN.
- 8 - RECOMMENDED PCB THICKNESS: 1.57 mm REF.
- 9 - SHIELD: AVOID ROUTING TRACES
OR PLACING ANY VIAS BELOW THESE AREAS.
- 10 - AREA FOR PICK AND PLACE: 5.0 mm X 8.0 mm.
- 11 - INSCRIPTION MARKED BY LASER:
1st : MOLEX
2nd : P/N (SEE BOM)
- 12 - INSCRIPTION MARKED BY LASER:
DATE CODE(DAY/WEEK/YEAR)



THIS DRAWING CONTAINS INFORMATION THAT IS PROPRIETARY TO MOLEX ELECTRONIC TECHNOLOGIES, LLC AND SHOULD NOT BE USED WITHOUT WRITTEN PERMISSION																	
DIMENSION UNITS		SCALE		CURRENT REV DESC: UPDATED TITLE													
mm		3:1		<p style="text-align: center;">1" MXMAG 4 CORE FE IND REFLOW CAPABLE</p> <p style="text-align: center;">PRODUCT CUSTOMER DRAWING</p> <table border="1" style="width: 100%; border-collapse: collapse;"> <tr> <td>DOCUMENT NUMBER</td> <td>DOC TYPE</td> <td>DOC PART</td> <td>REVISION</td> </tr> <tr> <td style="text-align: center;">937670002</td> <td style="text-align: center;">PSD</td> <td style="text-align: center;">000</td> <td style="text-align: center;">C</td> </tr> </table>						DOCUMENT NUMBER	DOC TYPE	DOC PART	REVISION	937670002	PSD	000	C
DOCUMENT NUMBER	DOC TYPE	DOC PART	REVISION														
937670002	PSD	000	C														
GENERAL TOLERANCES (UNLESS SPECIFIED)										EC NO: 604273		2018/07/26					
ANGULAR TOL ± 2.0°										DRWN: DSHEA		2018/08/15					
4 PLACES ±										CHK'D: SMCGREEVY		2019/09/25					
3 PLACES ±				APPR: DBYRNES													
2 PLACES ± 0.1				INITIAL REVISION:													
1 PLACE ± 0.2				DRWN: DSHEA		2016/07/01											
0 PLACES ±				APPR: STGRIFFIN		2016/09/23											
DRAFT WHERE APPLICABLE MUST REMAIN WITHIN DIMENSIONS		THIRD ANGLE PROJECTION		DRAWING		SERIES		MATERIAL NUMBER									
				A2-SIZE		93767		SEE TABLE ON SHEET 2									
DOCUMENT STATUS		RELEASE DATE		CUSTOMER		SHEET NUMBER											
P1		2019/09/25 12:10:11		GENERAL MARKET		1 OF 3											



SUGGESTED BOARD LAYOUT
FAST ETHERNET
VIEW FROM COMPONENT SIDE
ALL DIMS ARE REFERENCE



DETAIL B
SCALE 10:1
PIN CONFIGURATION
FOR FAST ETHERNET

PART NUMBER	LEFT LED	RIGHT LED
937675126	GREEN	YELLOW

THIS DRAWING CONTAINS INFORMATION THAT IS PROPRIETARY TO MOLEX ELECTRONIC TECHNOLOGIES, LLC AND SHOULD NOT BE USED WITHOUT WRITTEN PERMISSION

DIMENSION UNITS mm	SCALE 5:1	CURRENT REV DESC: UPDATED TITLE	molex		
GENERAL TOLERANCES (UNLESS SPECIFIED)					
ANGULAR TOL ± 2.0°		EC NO: 604273	PRODUCT CUSTOMER DRAWING		
4 PLACES ±		DRWN: DSHEA 2018/07/26	DOCUMENT NUMBER		
3 PLACES ±		CHK'D: SMCGREEVY 2018/08/15	937670002		
2 PLACES ± 0.1		APPR: DBYRNES 2019/09/25	DOC TYPE	DOC PART	REVISION
1 PLACE ± 0.2		INITIAL REVISION:	PSD	000	C
0 PLACES ±		DRWN: DSHEA 2016/07/01	MATERIAL NUMBER		
		APPR: STGRIFFIN 2016/09/23	SEE TABLE ON SHEET 2		
DRAFT WHERE APPLICABLE MUST REMAIN WITHIN DIMENSIONS	THIRD ANGLE PROJECTION	DRAWING	SERIES	CUSTOMER	SHEET NUMBER
		A2-SIZE	93767	GENERAL MARKET	2 OF 3

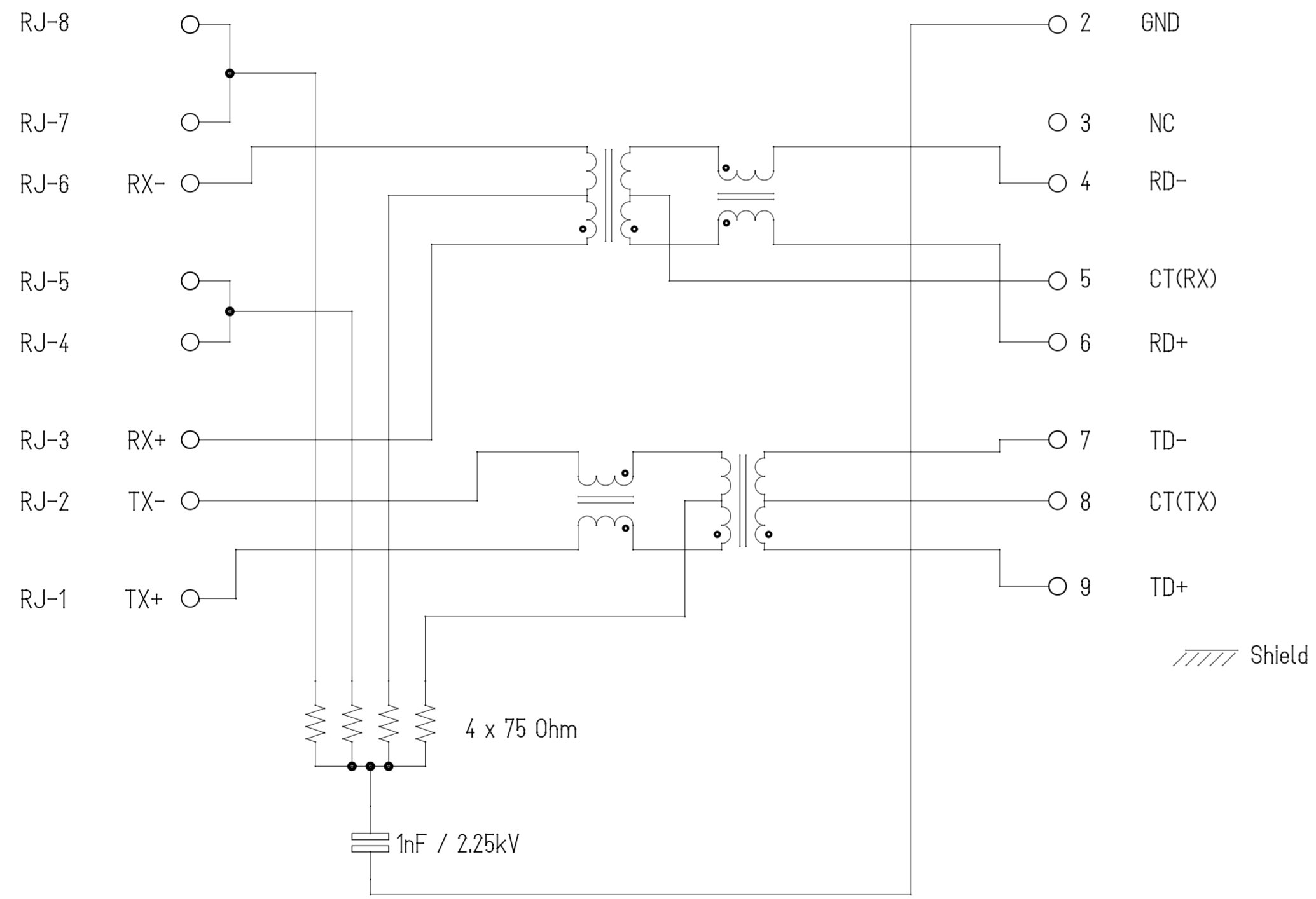
DOCUMENT STATUS	P1	RELEASE DATE	2019/09/25	12:10:11
-----------------	----	--------------	------------	----------

RJ-45 CONTACTS

WIRE-SIDE / RJ-45

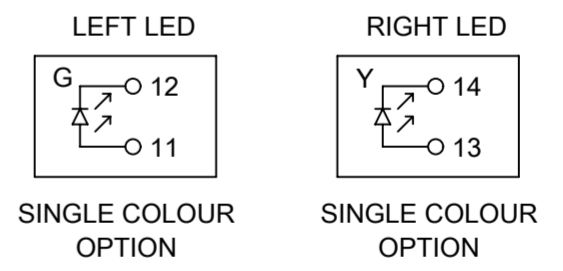
ETHERNET MAGNETICS

PHY-SIDE / PCB SIDE



ETHERNET TERMINALS

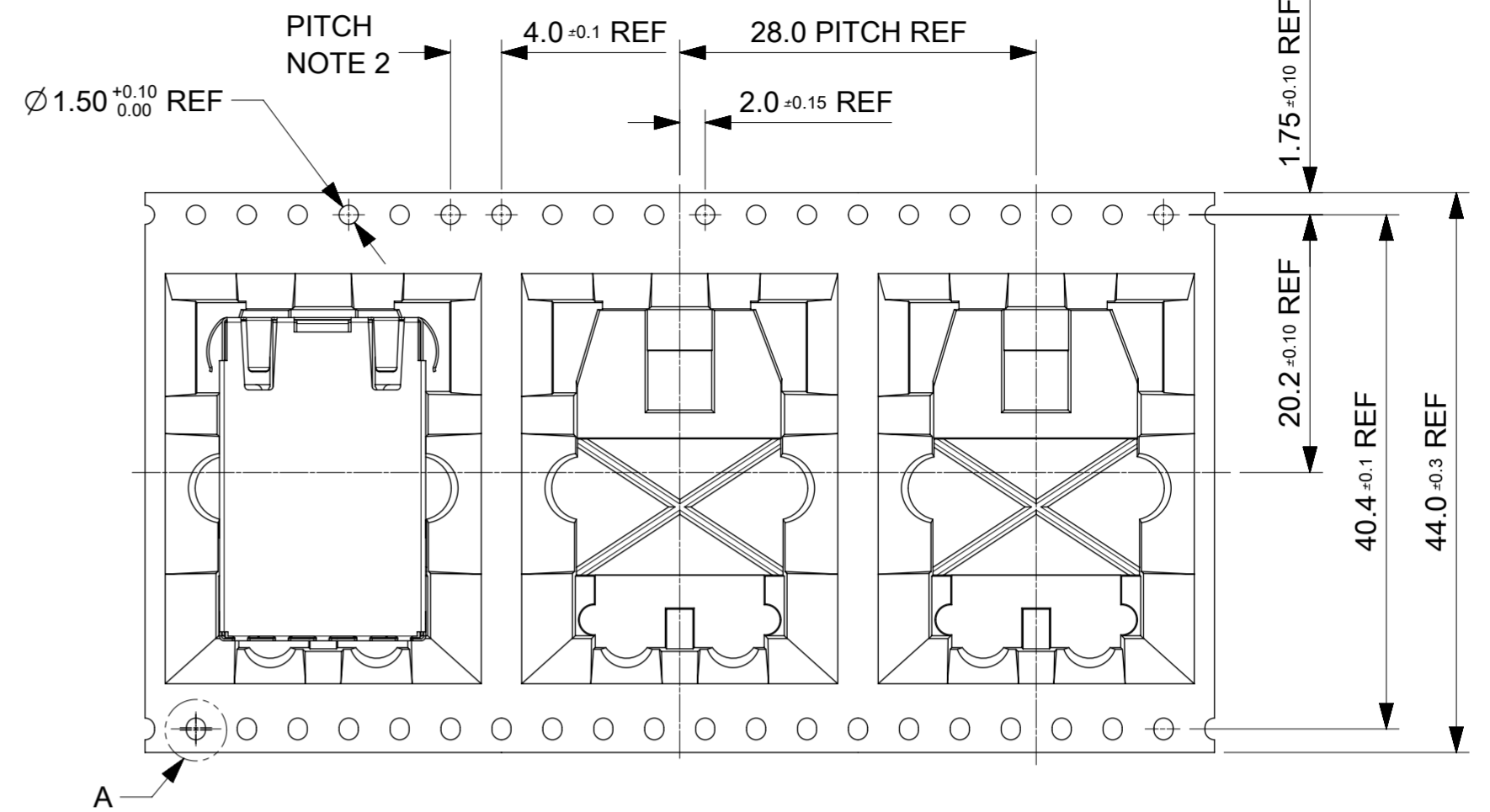
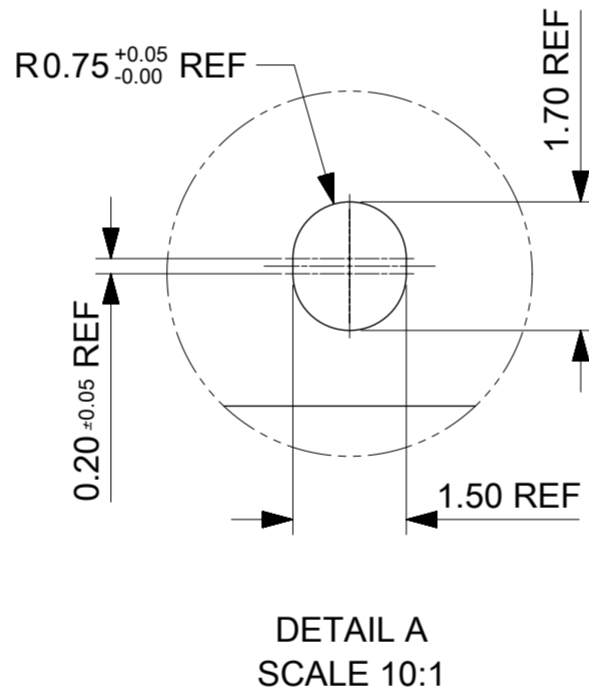
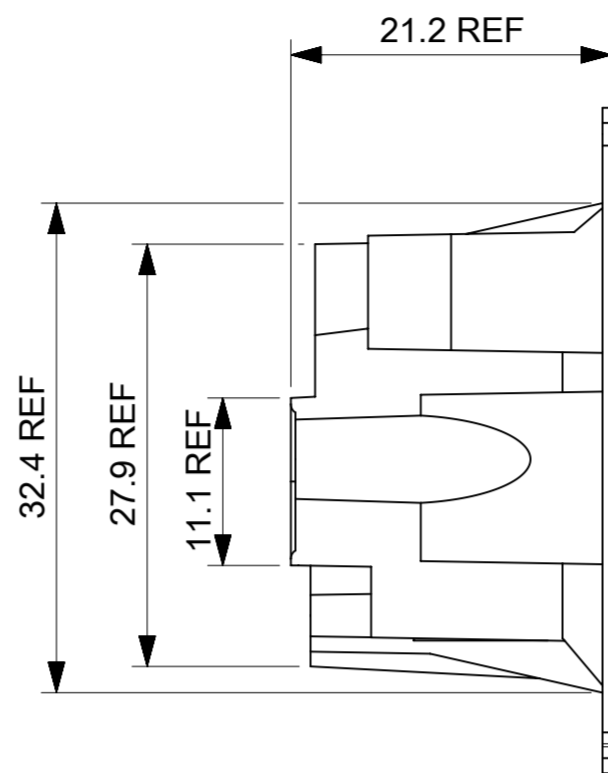
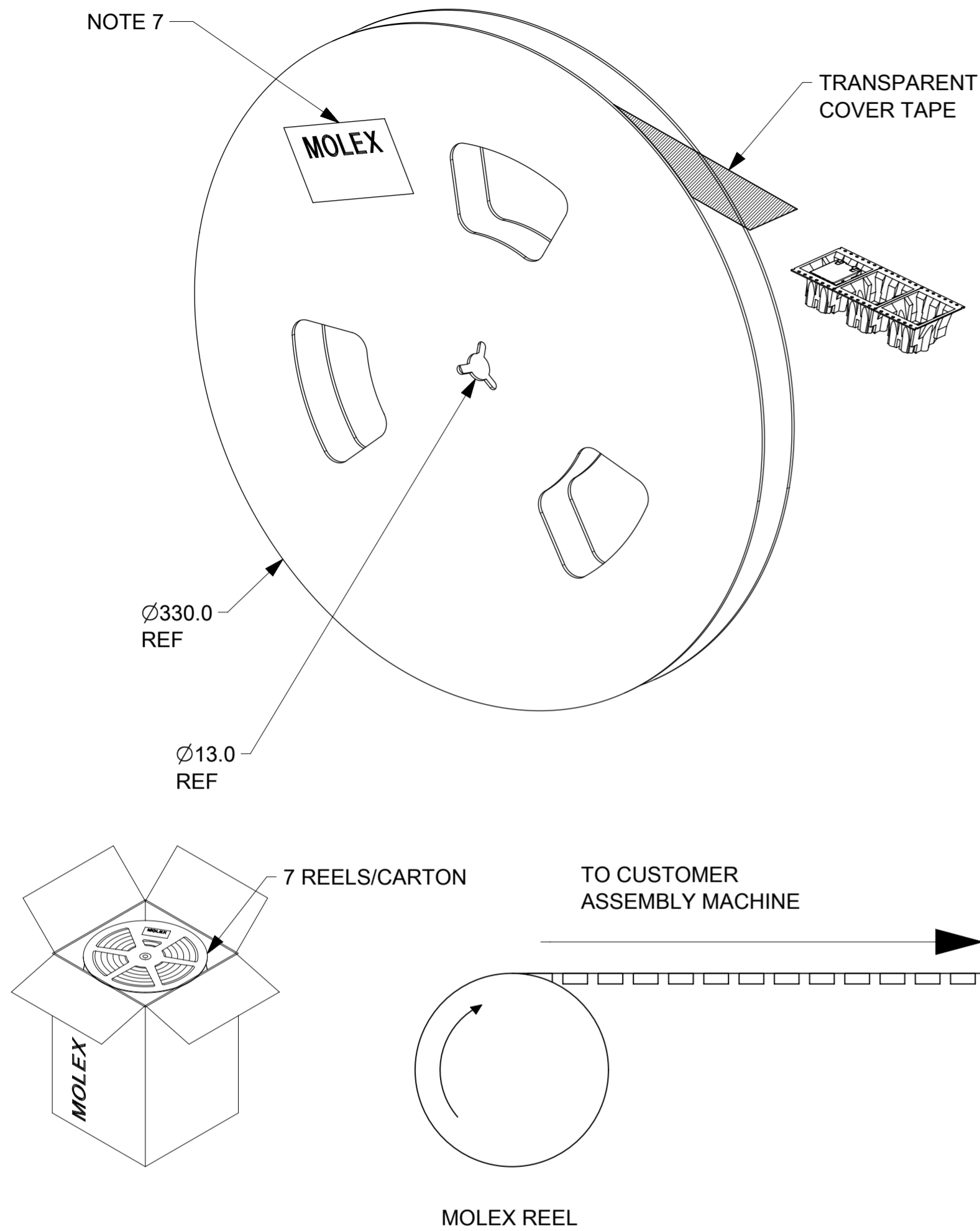
Description	Value	
OCL @100 kHz, 0.1 V, 8 mA DC bias (-40°C TO +85°C)	350 μH min.	
Turns ratio	1CT:1CT	
Transmission characteristics @ 25°C, all four pairs		
Insertion Loss		
Frequency f, (MHz)	Limits (dB max.)	Typical Values (dB max.)
1.0-9.9	0.4+0.1*log(f)	0.5 @ 10 MHz
10-49.9	0.5+0.3*log(f/10)	0.7 @ 50 MHz
50-79.9	1+1.4*log(f/80)	1.0 @ 80 MHz
80-100	1.3+3*log(f/100)	1.3 @ 100 MHz
Return Loss		
Frequency f, (MHz)	Limits (dB min.)	Typical Values (dB min.)
1.0-39.9	18	18 @ 40 MHz
40-100	12-20*log(f/80)	10 @ 100 MHz
CMR		
Frequency f, (MHz)	Limits (dB min.)	Typical Values (dB min.)
1.0-100	30	30 @ 100 MHz
NEXT		
Frequency f, (MHz)	Limits (dB min.)	Typical Values (dB min.)
1.0-39.9	35	35 @ 40 MHz
40-100	33-20*log(f/50)	27 @ 100 MHz
Isolation PHY to wire side	2.25 kV DC / 60 s	



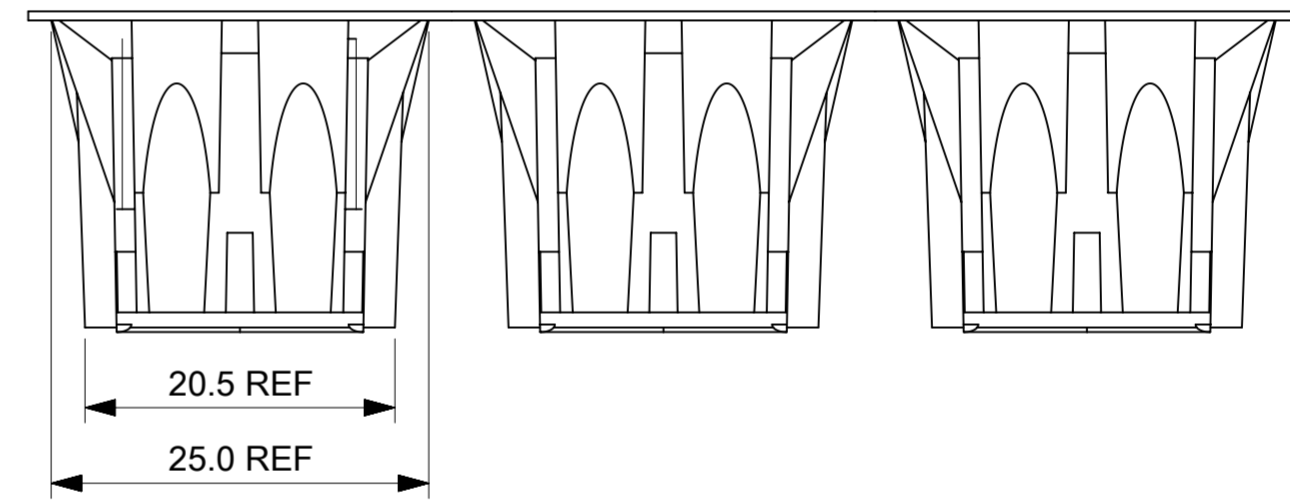
THIS DRAWING CONTAINS INFORMATION THAT IS PROPRIETARY TO MOLEX ELECTRONIC TECHNOLOGIES, LLC AND SHOULD NOT BE USED WITHOUT WRITTEN PERMISSION									
DIMENSION UNITS	SCALE	CURRENT REV DESC: UPDATED TITLE			molex				
mm	1:1								
GENERAL TOLERANCES (UNLESS SPECIFIED)					1" MXMAG 4 CORE FE IND REFLOW CAPABLE				
ANGULAR TOL	± 2.0°								
4 PLACES	±	EC NO: 604273			PRODUCT CUSTOMER DRAWING				
3 PLACES	±	DRWN: DSHEA 2018/07/26							
2 PLACES	± 0.1	CHK'D: SMCGREEVY 2018/08/15							
1 PLACE	± 0.2	APPR: DBYRNES 2019/09/25			DOCUMENT NUMBER: 937670002 DOC TYPE: PSD DOC PART: 000 REVISION: C				
0 PLACES	±	INITIAL REVISION:							
DRAFT WHERE APPLICABLE MUST REMAIN WITHIN DIMENSIONS		THIRD ANGLE PROJECTION	DRAWING	SERIES	MATERIAL NUMBER	CUSTOMER	SHEET NUMBER		
			A2-SIZE	93767	SEE TABLE ON SHEET 2	GENERAL MARKET	3 OF 3		

DOCUMENT STATUS	P1	RELEASE DATE	2019/09/25	12:10:11
-----------------	----	--------------	------------	----------

NOTE 7



DIRECTION OF UNREELING



BLISTER TAPE PART NO	PIECES/REEL	PIECES/CARTON	REELS/CARTON
990449058	107	749	7

NOTES:

- MATERIAL:
CARRIER TAPE: VOLUME CONDUCTIVE POLYSTYRENE, 0.60 mm REF THICK, BLACK.
COVER TAPE: COLD SEAL POLYESTER, 0.06 mm REF THICK TRANSPARENT.
- PITCH TOLERANCE OVER ANY 10 PITCHES ± 0.2 mm
- PEEL FORCE OF COVER TAPE IS 0.1 N TO 1.3 N
AT A MAXIMUM SPEED OF 300 mm/min ± 10 mm/min
- PACKAGING SPECIFICATION: 934620002 PSK.
- REFERENCE TO IEC 60286-3 EXCEPT WHERE NOTED
- LABELS SHALL BE PLACED ON THE EACH REEL AND ON THE CARTON
- THE LABEL ON THE REEL SHALL BE PLACED ON THE OUTSIDE OF THE FLANGE
OPPOSITE THE ROUND SPROCKET HOLES
- ALL DIMENSIONS ARE REFERENCE ONLY

THIS DRAWING CONTAINS INFORMATION THAT IS PROPRIETARY TO MOLEX ELECTRONIC TECHNOLOGIES, LLC AND SHOULD NOT BE USED WITHOUT WRITTEN PERMISSION									
DIMENSION UNITS mm		SCALE 1:2		CURRENT REV DESC: ORIGINAL RELEASE				molex	
GENERAL TOLERANCES (UNLESS SPECIFIED)		ANGULAR TOL $\pm 2.0^\circ$		EC NO: 624501					
4 PLACES \pm		3 PLACES \pm		DRWN: DSHEA		2019/09/19		MXMAG ONE INCH TAPE & REEL BLISTER PACKAGING	
2 PLACES ± 0.1		1 PLACE ± 0.2		CHK'D: DBYRNES		2019/09/26		PRODUCT CUSTOMER DRAWING	
0 PLACES \pm		DRAFT WHERE APPLICABLE MUST REMAIN WITHIN DIMENSIONS		APPR: DBYRNES		2019/09/26		DOCUMENT NUMBER 990449058	
THIRD ANGLE PROJECTION		DRAWING A2-SIZE		SERIES 99044		MATERIAL NUMBER 990449058		CUSTOMER GENERAL MARKET	
SHEET NUMBER 1 OF 1		REVISION A		DOC PART K		DOC TYPE PSD		REVISION	

DOCUMENT STATUS	P1	RELEASE DATE	2019/09/26	09:14:35
-----------------	----	--------------	------------	----------