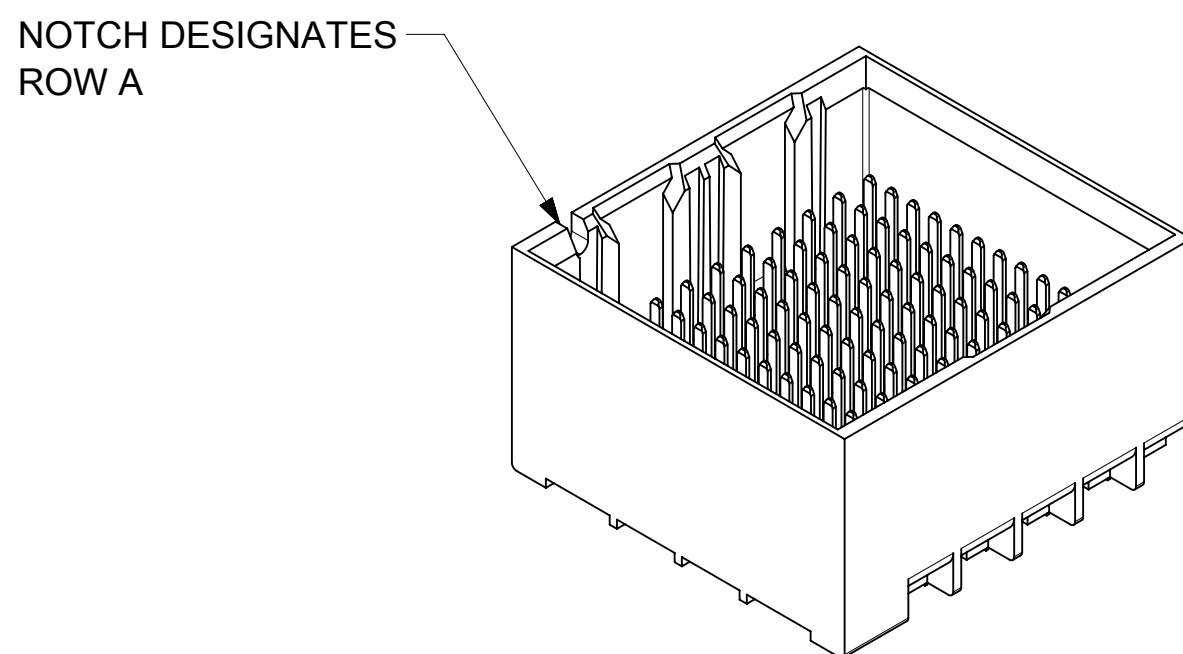
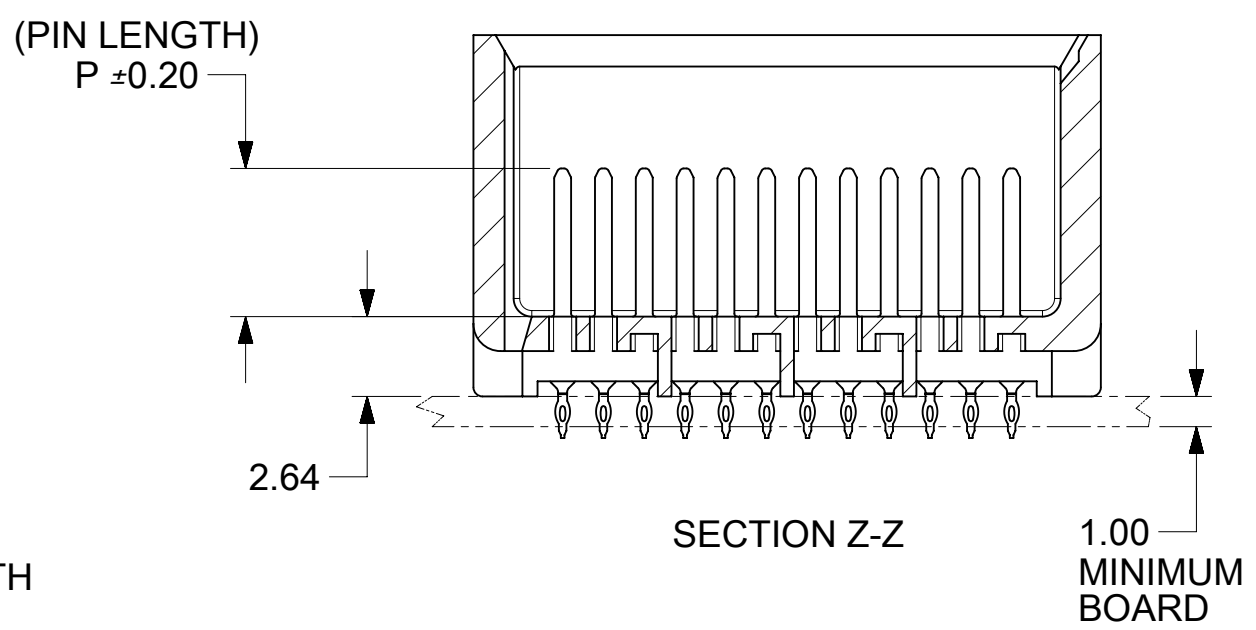
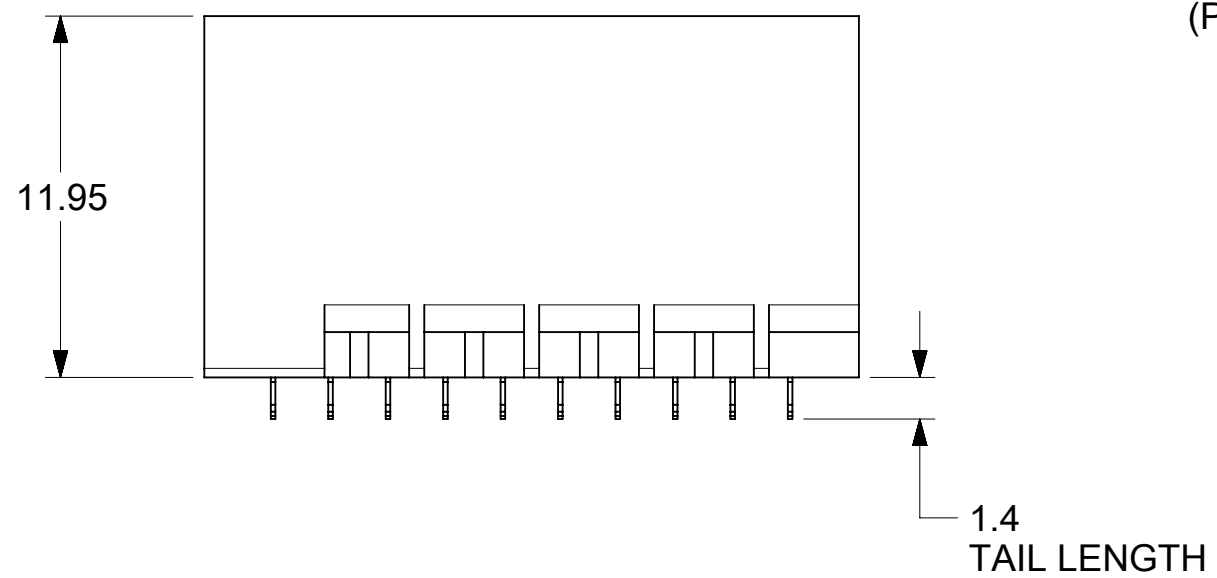


KEEP-OUT ZONE

UNGUIDED BACKPLANE HOLE PATTERN (CONNECTOR SIDE) SEE NOTE 9

SEE PART NUMBER CHART AND PART NUMBER LOGIC (12 HOLES PER COLUMN)

$\varnothing 0.10$



- NOTES:
- MATERIALS: HOUSING - LIQUID CRYSTAL POLYMER (LCP) GLASS-FILLED, UL94V-0  
TERMINALS - HIGH PERFORMANCE COPPER ALLOY
  - FINISH: 30 $\mu$  MIN GOLD IN CONTACT AREA.  
SELECTIVE TIN ON PCB TAILS.  
NICKEL OVERALL.
  - REFER TO MOLEX PRODUCT SPECIFICATION PS-76060-999 FOR PERFORMANCE SPECIFICATIONS AND ADDITIONAL PCB INFORMATION.
  - THIS PART CONFORMS TO CLASS B REQUIREMENTS OF MOLEX COSMETIC SPEC PS-45499-002.
  - PARTS PACKAGED PER PK-70873-7701.
  - SEE SHEETS 2 & 3 FOR PART NUMBERS AND BOARD RELATIONSHIPS.
  - MATES WITH IMPACT DC SERIES NO. 76160.
  - REFER TO MOLEX PCB ROUTING GUIDE AS-76060-990 FOR ANTIPAD AND ROUTING RECOMMENDATIONS.
  - "THESE DIMENSIONS REPRESENT THE AREA NEEDED TO ACCOMMODATE CONNECTOR INSERTION AND REPAIR ON THE PC BOARD. THIS IS REFERRED TO AS THE "CONNECTOR KEEP OUT ZONE" AND DOES NOT REPRESENT THE ACTUAL PERIMETER OF THE CONNECTOR. WHEN LAYING OUT A PC BOARD FOR CONNECTORS STACKED TOGETHER, USE A 1.9mm PROGRESSION."

SYMBOLS				THIS DRAWING CONTAINS INFORMATION THAT IS PROPRIETARY TO MOLEX ELECTRONIC TECHNOLOGIES, LLC AND SHOULD NOT BE USED WITHOUT WRITTEN PERMISSION			
$\nabla = 0$	DIMENSION UNITS	SCALE	CURRENT REV DESC: REVISE DIM. DECIMAL				
$\nabla = 0$	mm	4:1					
$\nabla = 0$	GENERAL TOLERANCES (UNLESS SPECIFIED)						
$\nabla = 0$	ANGULAR TOL	$\pm 0.5^\circ$					
$\nabla = 0$	4 PLACES	$\pm$	EC NO: 607739				
$\nabla = 0$	3 PLACES	$\pm$	DRWN: HLG0H 2018/11/16				
$\nabla = 0$	2 PLACES	$\pm 0.13$	CHK'D: JLTAN06 2018/11/16				
$\nabla = 0$	1 PLACE	$\pm 0.25$	APPR: DWLEE01 2018/11/21				
$\nabla = 0$	0 PLACES	$\pm$	INITIAL REVISION:				
$\nabla = 0$	DRAFT WHERE APPLICABLE MUST REMAIN WITHIN DIMENSIONS		THIRD ANGLE PROJECTION		DRAWING	SERIES	
$\nabla = 0$			C-SIZE		76155		
DOCUMENT STATUS			P1		RELEASE DATE	2018/11/21 17:04:01	

**molex**

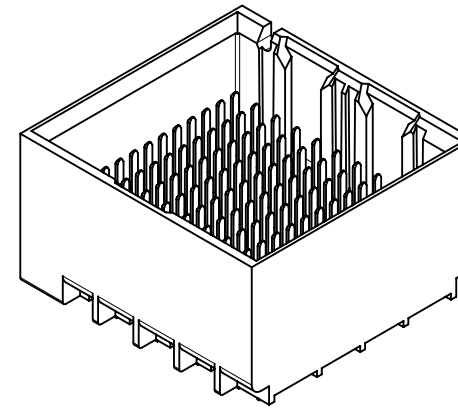
IMPACT 4 PAIR HEADER  
UNGUIDED ASSEMBLY SALES DRAWING

PRODUCT CUSTOMER DRAWING

DOCUMENT NUMBER	DOC TYPE	DOC PART	REVISION
SD-76155-001	PSD	001	H2
MATERIAL NUMBER	CUSTOMER	SHEET NUMBER	
	GENERAL MARKET	1 OF 3	

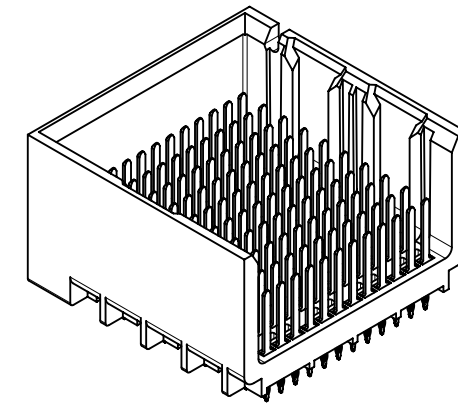
PART NUMBER TABLE

MATERIAL NUMBER	# OF COLUMNS	# OF DIFF PAIR	DIM "A"	DIM "B"	DUAL END WALL OPTION
76155-*32*	6	24	14.1	9.50	
76155-*82*	8	32	17.9	13.30	
76155-*12*	10	40	21.7	17.10	
76155-*62*	16	64	33.1	28.50	



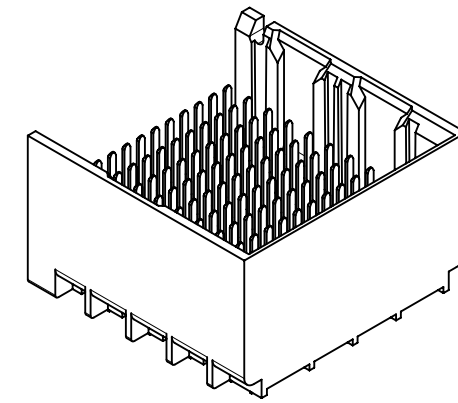
DUAL END  
WALL OPTION

MATERIAL NUMBER	# OF COLUMNS	# OF DIFF PAIR	DIM "A"	DIM "B"	LEFT END WALL OPTION
76155-*31*	6	24	12.7	9.50	
76155-*81*	8	32	16.5	13.30	
76155-*11*	10	40	20.3	17.10	
76155-*61*	16	64	31.7	28.50	



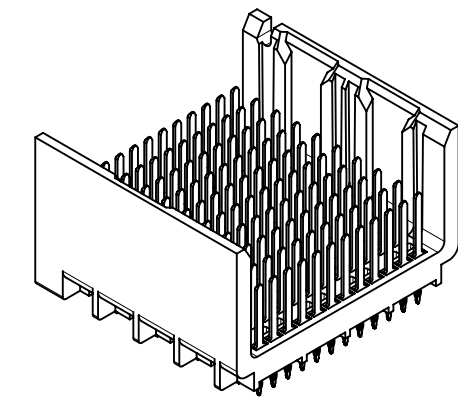
LEFT  
END WALL OPTION

MATERIAL NUMBER	# OF COLUMNS	# OF DIFF PAIR	DIM "A"	DIM "B"	RIGHT END WALL OPTION
76155-*33*	6	24	12.7	9.50	
76155-*83*	8	32	16.5	13.30	
76155-*13*	10	40	20.3	17.10	
76155-*63*	16	64	31.7	28.50	



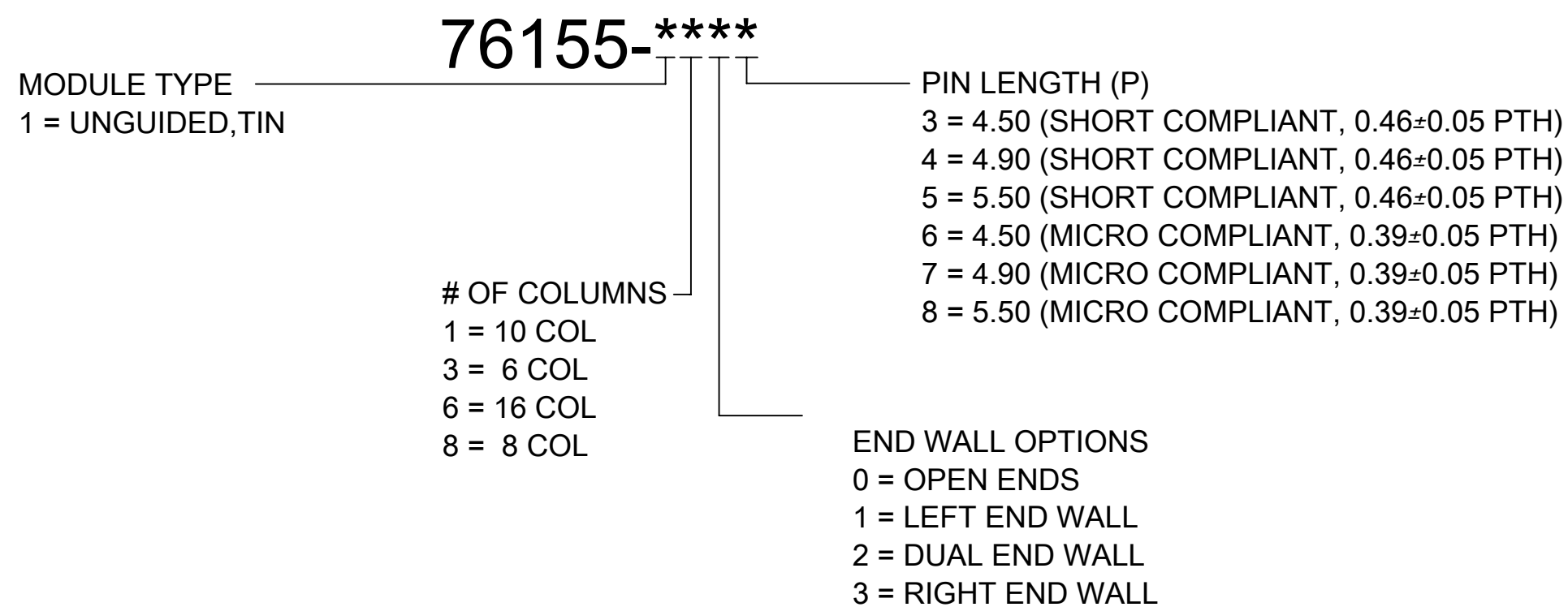
RIGHT  
END WALL OPTION

MATERIAL NUMBER	# OF COLUMNS	# OF DIFF PAIR	DIM "A"	DIM "B"	OPEN WALL OPTION
76155-*30*	6	24	11.3	9.50	
76155-*80*	8	32	15.1	13.30	
76155-*10*	10	40	18.9	17.10	
76155-*60*	16	64	30.4	28.50	

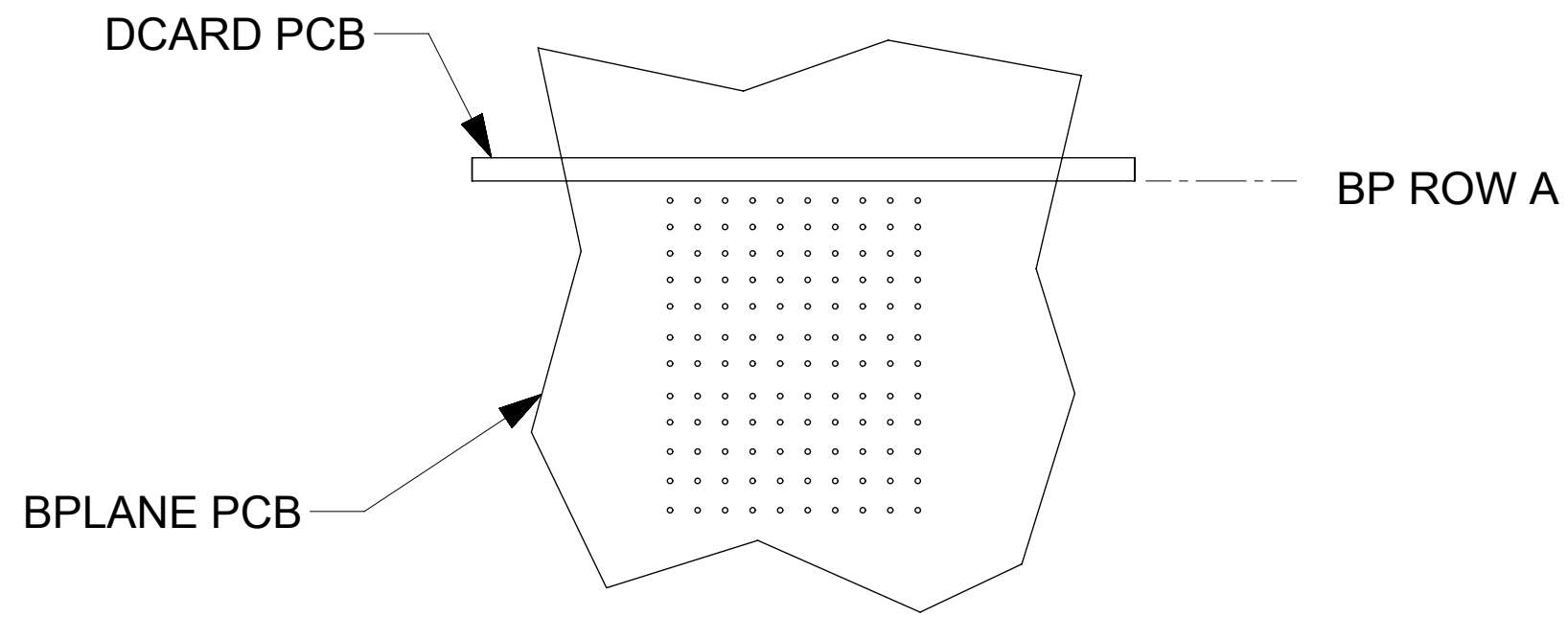


OPEN  
WALL OPTION

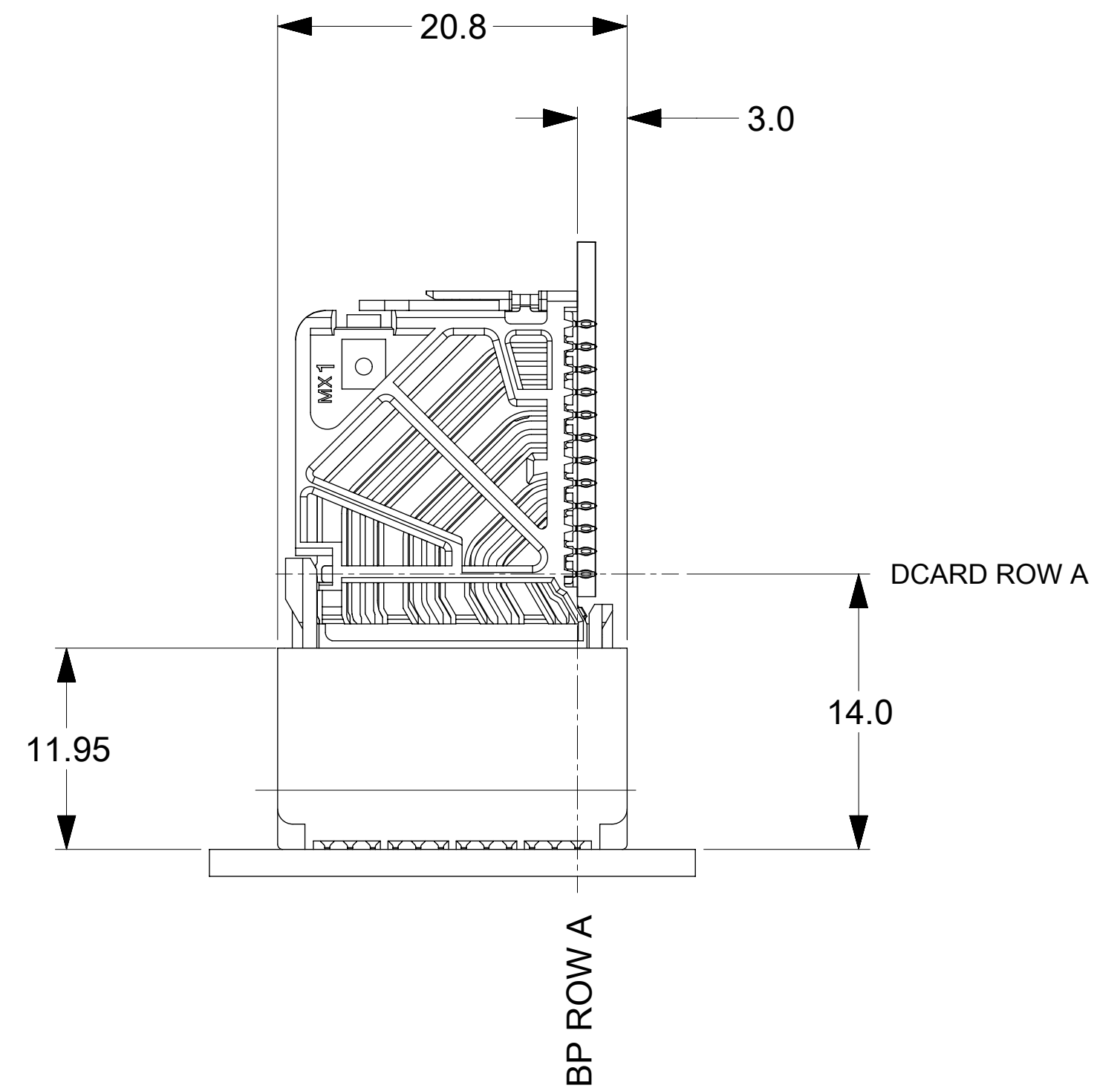
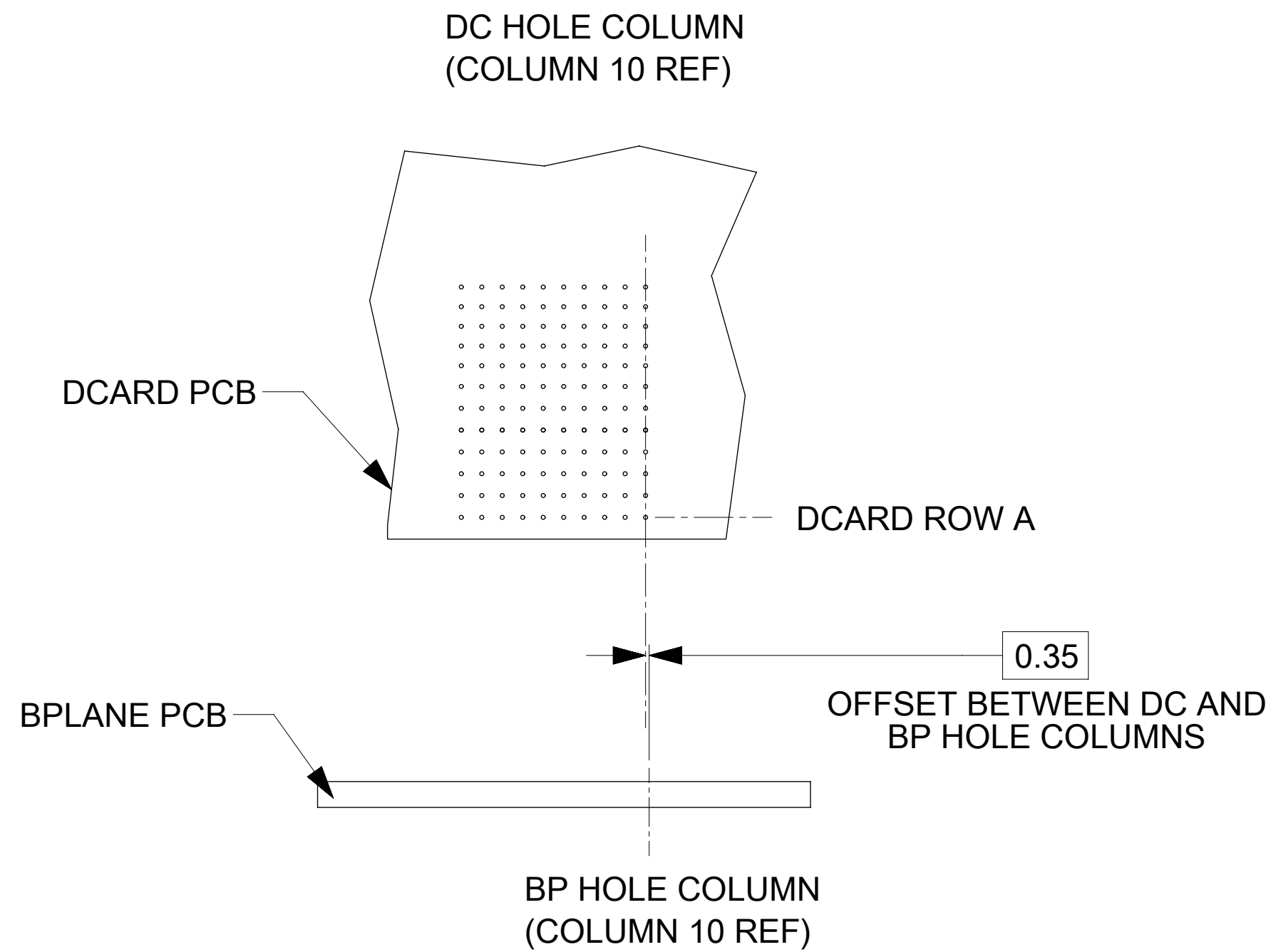
PART NUMBER LOGIC



THIS DRAWING CONTAINS INFORMATION THAT IS PROPRIETARY TO MOLEX ELECTRONIC TECHNOLOGIES, LLC AND SHOULD NOT BE USED WITHOUT WRITTEN PERMISSION									
SYMBOLS		DIMENSION UNITS		SCALE		CURRENT REV DESC: REVISE DIM. DECIMAL			
▽ = 0		mm		4:1		<b>molex</b> IMPACT 4 PAIR HEADER UNGUIDED ASSEMBLY SALES DRAWING PRODUCT CUSTOMER DRAWING			
▽ = 0		GENERAL TOLERANCES (UNLESS SPECIFIED)							
▽ = 0		ANGULAR TOL ± 0.5°		EC NO: 607739		DRWN: HLG0H 2018/11/16 CHK'D: JLTAN06 2018/11/16 APPR: DWLEE01 2018/11/21			
▽ = 0		4 PLACES ±		INITIAL REVISION:					
▽ = 0		3 PLACES ±		DRWN: MSANDBER 2007/09/11		DOCUMENT NUMBER <b>SD-76155-001</b> PSD 001 H2			
▽ = 0		2 PLACES ± 0.13		APPR: JLAURX 2007/09/11					
▽ = 0		1 PLACE ± 0.25		DRAFT WHERE APPLICABLE MUST REMAIN WITHIN DIMENSIONS		THIRD ANGLE PROJECTION		DRAWING SERIES	
▽ = 0		0 PLACES ±		C-SIZE		76155		MATERIAL NUMBER CUSTOMER SHEET NUMBER	
▽ = 0						GENERAL MARKET		2 OF 3	



**IMPACT 4 PAIR  
BOARD RELATIONSHIPS**



SYMBOLS										THIS DRAWING CONTAINS INFORMATION THAT IS PROPRIETARY TO MOLEX ELECTRONIC TECHNOLOGIES, LLC AND SHOULD NOT BE USED WITHOUT WRITTEN PERMISSION															
DIMENSION UNITS		SCALE		CURRENT REV DESC: REVISE DIM. DECIMAL																					
mm		4:1		<b>molex</b> IMPACT 4 PAIR HEADER UNGUIDED ASSEMBLY SALES DRAWING PRODUCT CUSTOMER DRAWING DOCUMENT NUMBER: SD-76155-001   DOC TYPE: PSD   DOC PART: 001   REVISION: H2 MATERIAL NUMBER: GENERAL MARKET   CUSTOMER: GENERAL MARKET   SHEET NUMBER: 3 OF 3																					
GENERAL TOLERANCES (UNLESS SPECIFIED)																		EC NO: 607739				2018/11/16			
ANGULAR TOL ± 0.5°																		DRWN: HLG0H				2018/11/16			
4 PLACES ±																		CHK'D: JLTAN06				2018/11/16			
3 PLACES ±																		APPR: DWLEE01				2018/11/21			
2 PLACES ± 0.13				INITIAL REVISION:																					
1 PLACE ± 0.25				DRWN: MSANDBER				2007/09/11																	
0 PLACES ±				APPR: JLAURX				2007/09/11																	
DRAFT WHERE APPLICABLE MUST REMAIN WITHIN DIMENSIONS				THIRD ANGLE PROJECTION		DRAWING		SERIES		MATERIAL NUMBER		CUSTOMER		SHEET NUMBER											
				C-SIZE		76155				GENERAL MARKET		3 OF 3													