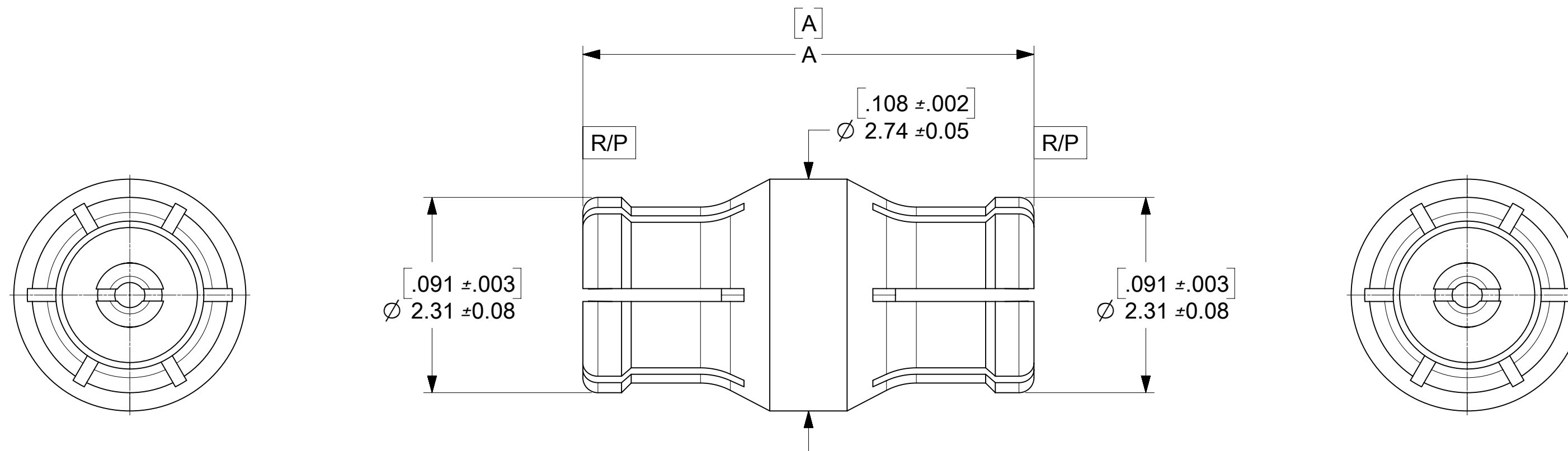
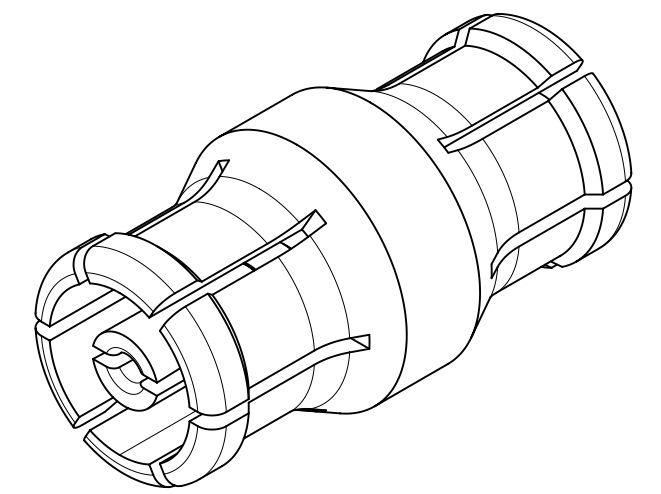


MATERIALS AND FINISHES:

BODY: BERYLLIUM COPPER
PLATED GOLD PER MIL-G-45204 TYPE II, GRADE C, CLASS 1 (50µ-in MIN)
OVER NICKEL (50µ-in MIN)

INSULATOR: PTFE

CONTACT: BERYLLIUM COPPER
PLATED GOLD PER MIL-G-45204 TYPE II, GRADE C, CLASS 1 (50µ-in MIN)
OVER NICKEL 50 MICRO-IN MIN



73300-0233	.2090±.0010 / 5.309±0.025	7.98	TRAY
73300-0232	.4680±.0016 / 11.887±0.038	15.59	
73300-0231	.1860±.0016 / 4.724±0.038	7.43	
73300-0230	.9060±.0016 / 23.012±0.038	25.7	
73300-0229	.5240±.0016 / 13.310±0.038	16.0	
73300-0228	.1970±.0016 / 5.004±0.038	7.7	
73300-0227	.3340±.0016 / 8.484±0.038	11.2	
73300-0226	.7500±.0016 / 19.050±0.038	21.8	
73300-0225	.5000±.0016 / 12.700±0.038	15.4	
73300-0224	.3490±.0016 / 8.865±0.038	11.6	
73300-0223	.3270±.0016 / 8.306±0.038	11.0	
73300-0222	.2780±.0016 / 7.061±0.038	9.8	
73300-0221	.2600±.0016 / 6.604±0.038	9.3	
73300-0220	.2100±.0016 / 5.334±0.038	8.0	
PART NO.	IN / MM	TYPICAL	
	DIM A	PCB GAP (MM)	

BOARD GAP USING 73300-0440 AND EQUIVALENT P/N SERIES

VSWR (TYP):
 1.15 TO 18 GHz
 1.25 TO 40 GHz
 1.35 TO 65 GHz

PS-89675-3730	PRODUCT SPECIFICATION
MIL-STD-348B, FIG.79	INTERFACE SMPM SOCKET
SPECIFICATION	DESCRIPTION

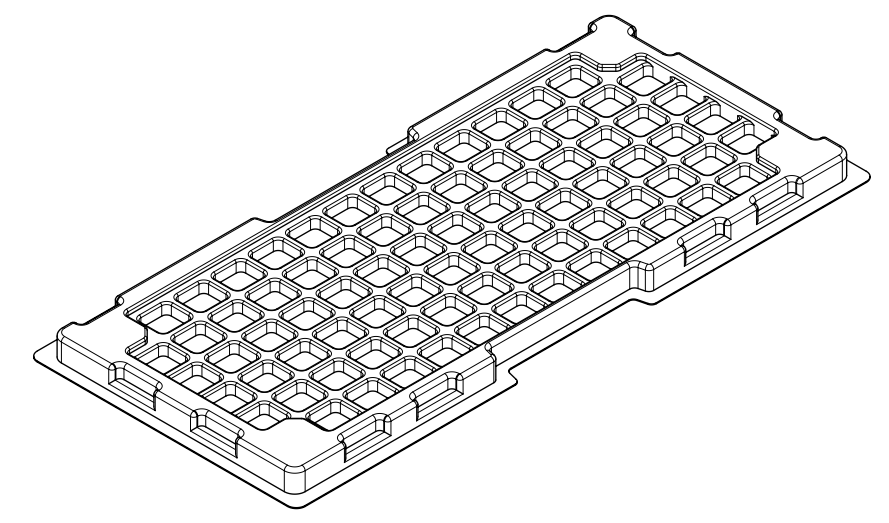
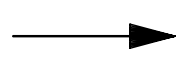
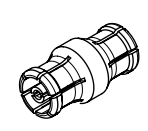
SYMBOLS		THIS DRAWING CONTAINS INFORMATION THAT IS PROPRIETARY TO MOLEX ELECTRONIC TECHNOLOGIES, LLC AND SHOULD NOT BE USED WITHOUT WRITTEN PERMISSION	
DIMENSION UNITS	SCALE	CURRENT REV DESC: SEE ECM	
▽ = 0	mm	EC NO: 177433 DRWN: PSWAMI02 2018/05/23 CHK'D: PSWAMI02 2018/06/07 APPR: AROBERTSON 2018/06/07 INITIAL REVISION: DRWN: RYEH 2016/06/22 APPR: YCHENG 2017/01/16	
▽ = 0	GENERAL TOLERANCES (UNLESS SPECIFIED)		
▽ = 0	ANGULAR TOL ± °		
▽ = 0	4 PLACES ±		
▽ = 0	3 PLACES ±		
▽ = 0	2 PLACES ± 0.25	PRODUCT CUSTOMER DRAWING DOCUMENT NUMBER: SD-73300-022 DOC TYPE: PSD DOC PART: 000 REVISION: A8	
▽ = 0	1 PLACE ±		
▽ = 0	0 PLACES ±		
⊠ = 0	DRAFT WHERE APPLICABLE MUST REMAIN WITHIN DIMENSIONS	THIRD ANGLE PROJECTION	DRAWING: C-SIZE
▽ = 0		SERIES: 73300	MATERIAL NUMBER: SEE TABLE
		CUSTOMER:	SHEET NUMBER: 1 OF 3

DOCUMENT STATUS	P1	RELEASE DATE	2018/06/07	12:57:41
-----------------	----	--------------	------------	----------

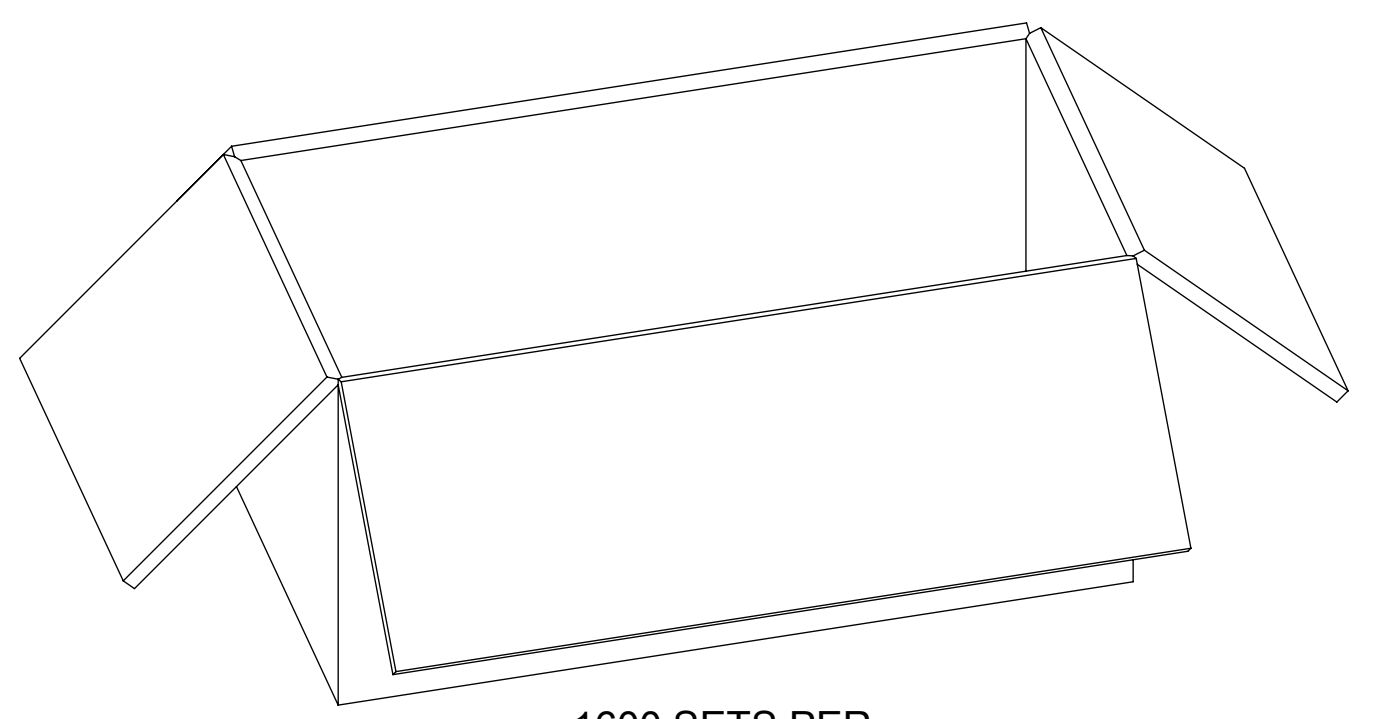
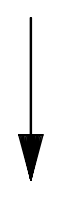
P/N: 73300-0220
 73300-0221
 73300-0222
 73300-0223
 73300-0224
 73300-0225

 73300-0227
 73300-0228
 73300-0229

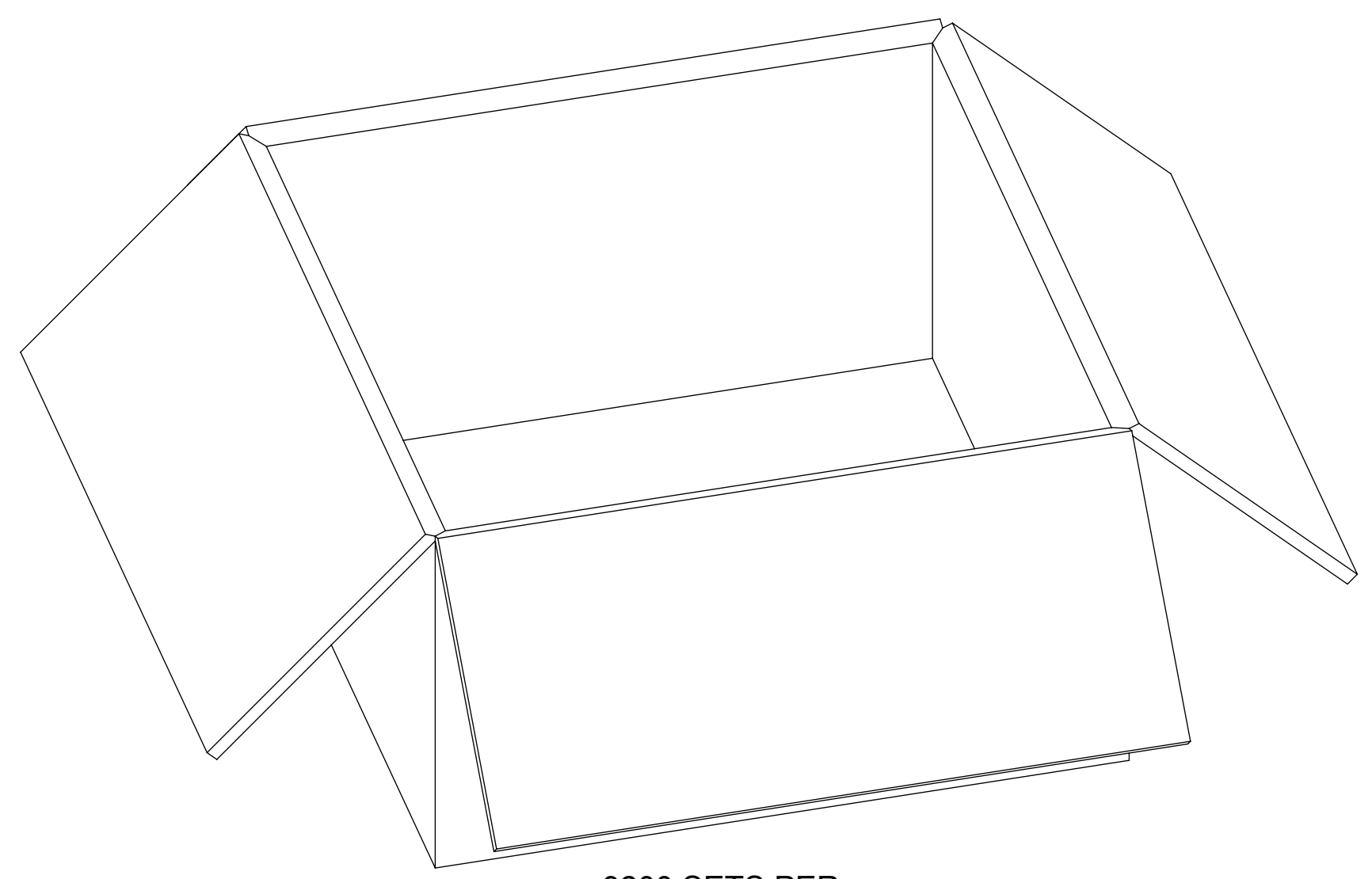
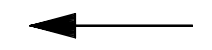
 73300-0231
 73300-0232
 73300-0233



80 SETS PER TRAY
 P/N: 89707-0190



1600 SETS PER
 INNER CARTON BOX
 P/N: 96707-0001

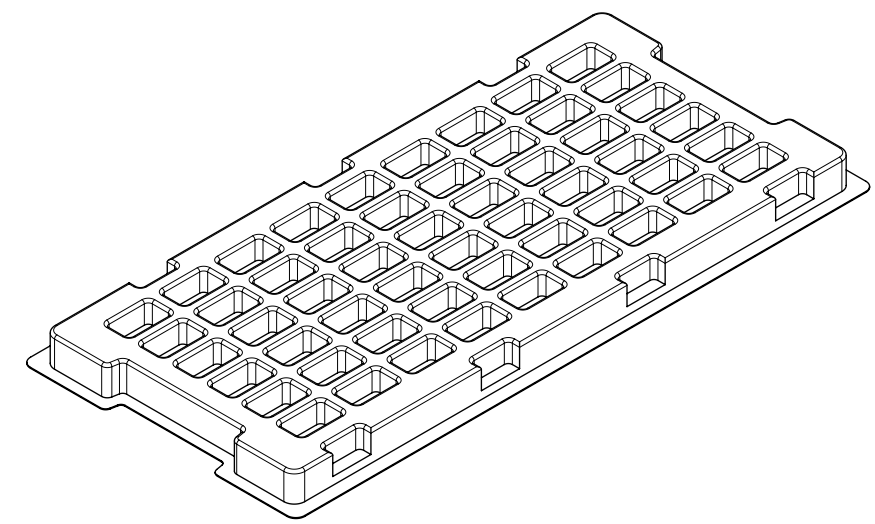
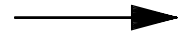
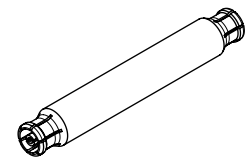


3200 SETS PER
 OUTER CARTON BOX
 P/N: 96708-0005

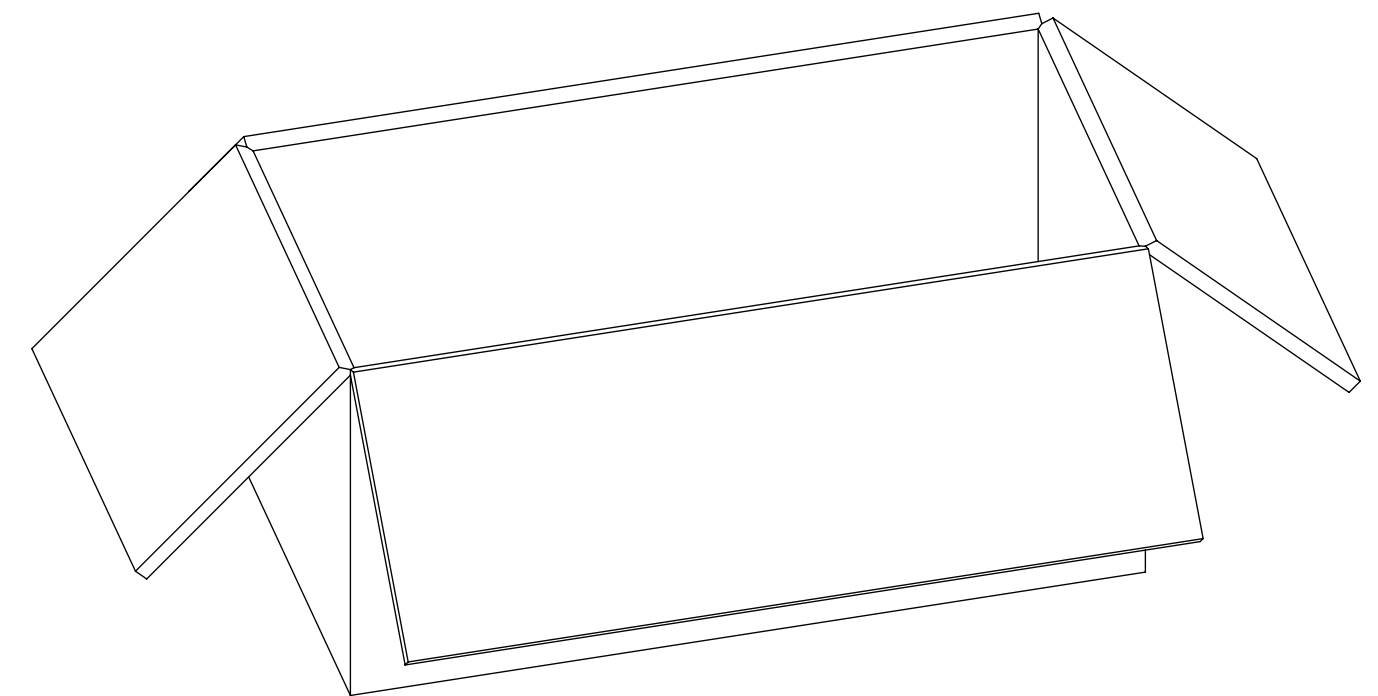
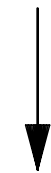
THIS DRAWING CONTAINS INFORMATION THAT IS PROPRIETARY TO MOLEX ELECTRONIC TECHNOLOGIES, LLC AND SHOULD NOT BE USED WITHOUT WRITTEN PERMISSION										
SYMBOLS		DIMENSION UNITS		SCALE		CURRENT REV DESC: SEE ECM				
▽ = 0	mm					molex SMPM JACK/JACK BULLET SMPM-J/J, EWR-12150				
GENERAL TOLERANCES (UNLESS SPECIFIED)										
▽ = 0	ANGULAR TOL	±	°			EC NO: 177433 DRWN: PSWAMI02 2018/05/23 CHK'D: PSWAMI02 2018/06/07 APPR: AROBERTSON 2018/06/07				
▽ = 0	4 PLACES	±				INITIAL REVISION: DRWN: RYEH 2016/06/22 APPR: YCHENG 2017/01/16				
▽ = 0	3 PLACES	±				DOCUMENT NUMBER		DOC TYPE	DOC PART	REVISION
▽ = 0	2 PLACES	±	0.25			SD-73300-022		PSD	000	A8
▽ = 0	1 PLACE	±				MATERIAL NUMBER		CUSTOMER		SHEET NUMBER
▽ = 0	0 PLACES	±				SEE TABLE				2 OF 3
▽ = 0	DRAFT WHERE APPLICABLE MUST REMAIN WITHIN DIMENSIONS		THIRD ANGLE PROJECTION		DRAWING	SERIES	C-SIZE		73300	

DOCUMENT STATUS	P1	RELEASE DATE	2018/06/07	12:57:41
-----------------	----	--------------	------------	----------

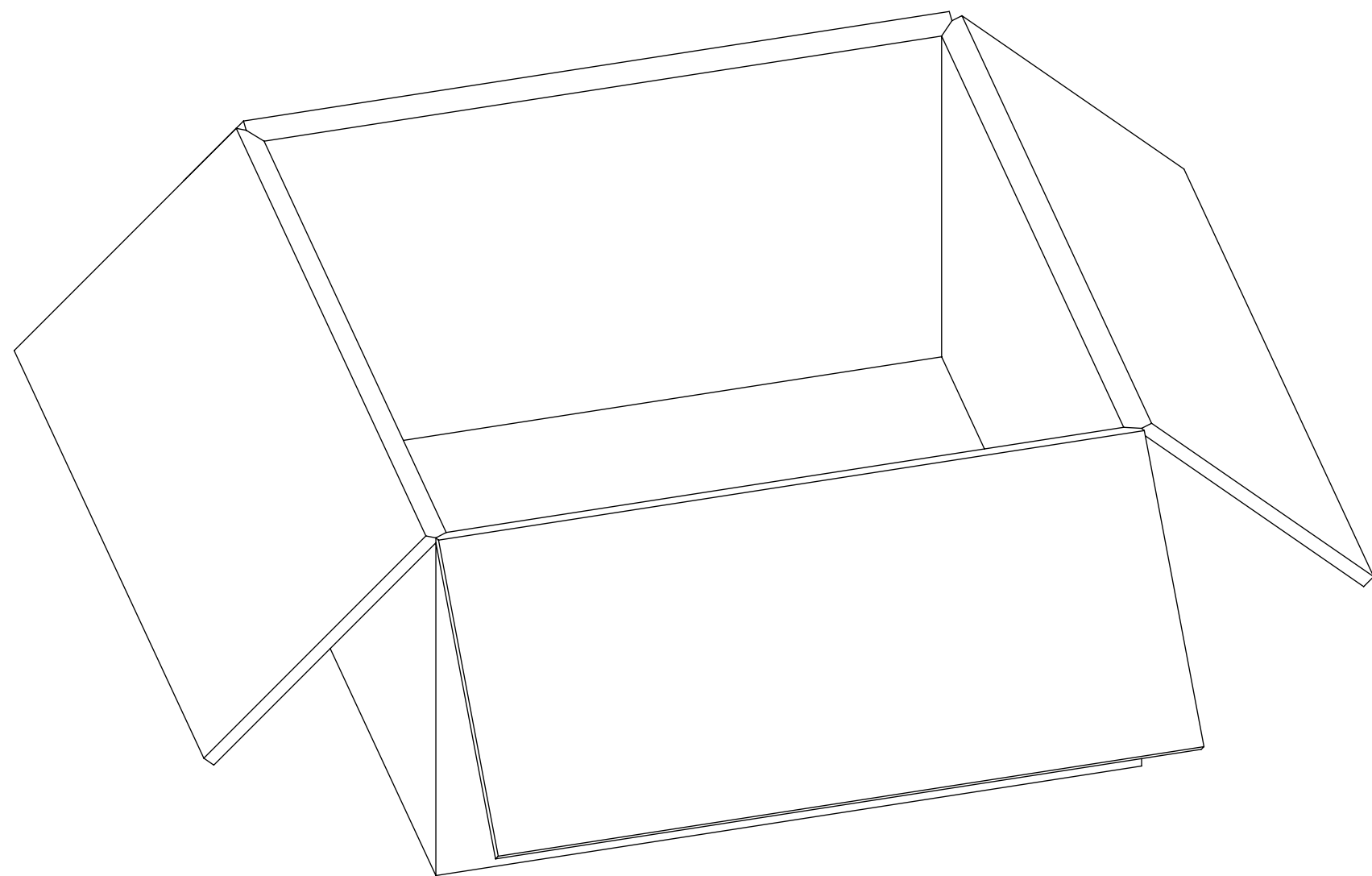
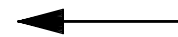
P/N: 73300-0226
73300-0230



54 SETS PER TRAY
P/N: 89707-0220



540 SETS PER
INNER CARTON BOX
P/N: 96707-0001



1080 SETS PER
OUTER CARTON BOX
P/N: 96708-0005

SYMBOLS = 0 = 0 = 0 = 0 = 0 = 0 = 0 = 0 = 0 = 0	THIS DRAWING CONTAINS INFORMATION THAT IS PROPRIETARY TO MOLEX ELECTRONIC TECHNOLOGIES, LLC AND SHOULD NOT BE USED WITHOUT WRITTEN PERMISSION							
	DIMENSION UNITS	SCALE	CURRENT REV DESC: SEE ECM					
	mm							
	GENERAL TOLERANCES (UNLESS SPECIFIED)		EC NO: 177433					
	ANGULAR TOL	± °	DRWN: PSWAMI02	2018/05/23				
			CHK'D: PSWAMI02	2018/06/07				
			APPR: AROBERTSON	2018/06/07				
	INITIAL REVISION:							
			DRWN: RYEH	2016/06/22				
			APPR: YCHENG	2017/01/16				
DRAFT WHERE APPLICABLE MUST REMAIN WITHIN DIMENSIONS		THIRD ANGLE PROJECTION	DRAWING	SERIES	DOCUMENT NUMBER	DOC TYPE	DOC PART	REVISION
			C-SIZE	73300	SD-73300-022	PSD	000	A8
					SEE TABLE			3 OF 3

molex

SMPM JACK/JACK BULLET
SMPM-J/J, EWR-12150

PRODUCT CUSTOMER DRAWING

SD-73300-022

PSD 000 A8

SEE TABLE

3 OF 3