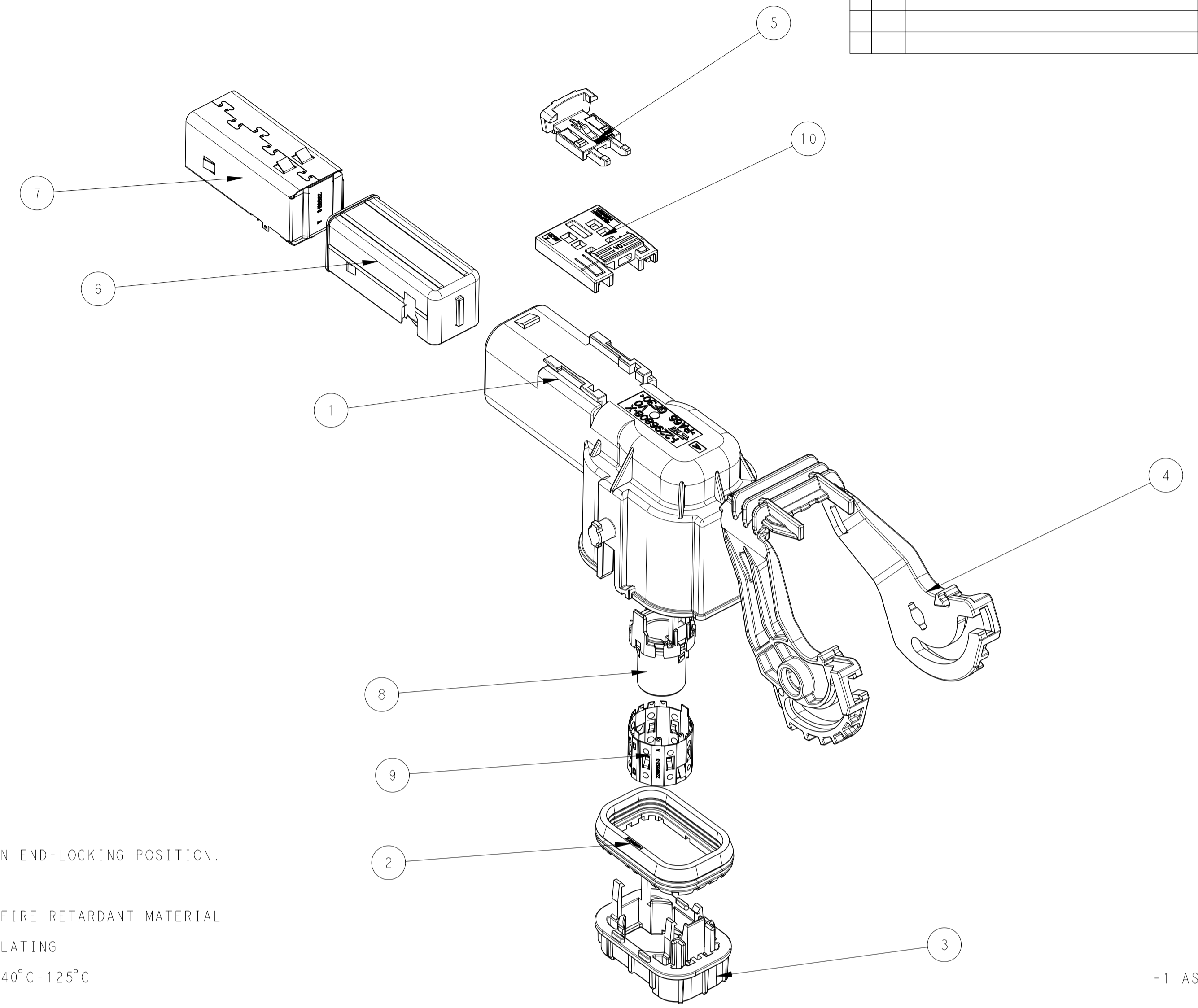
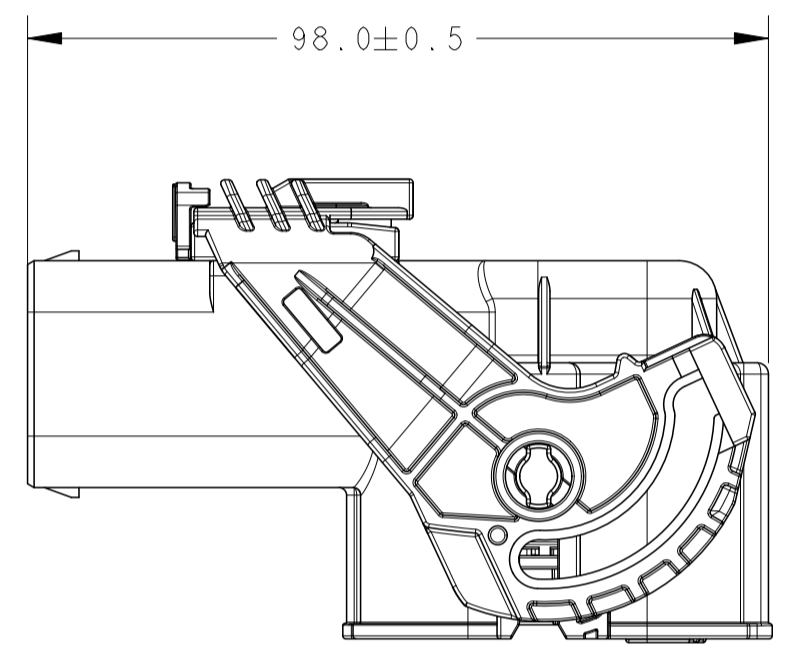
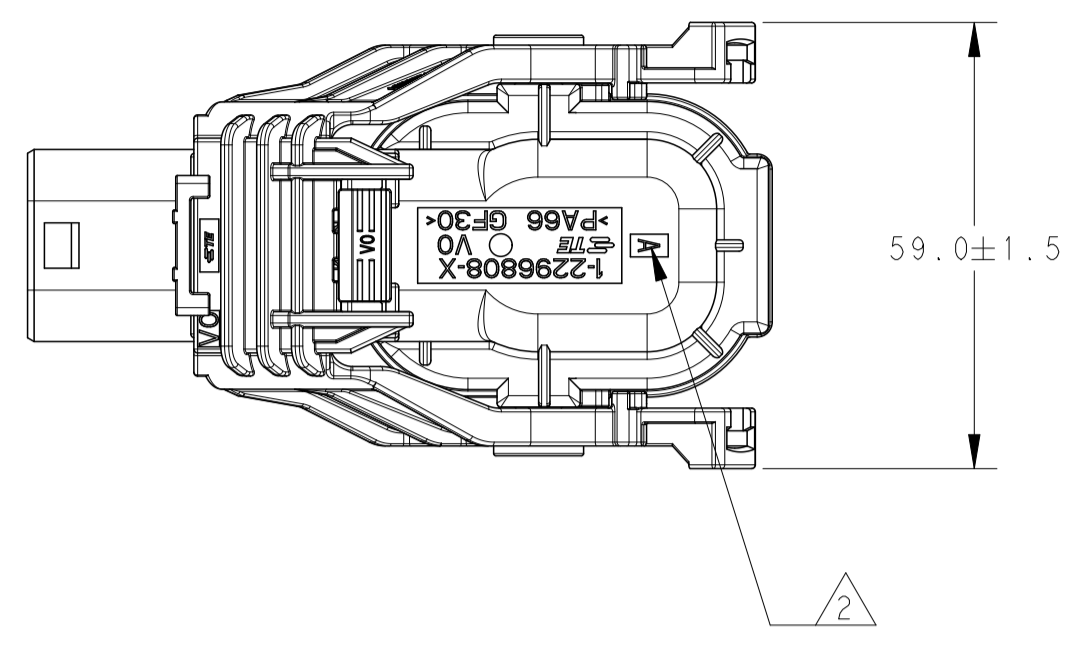
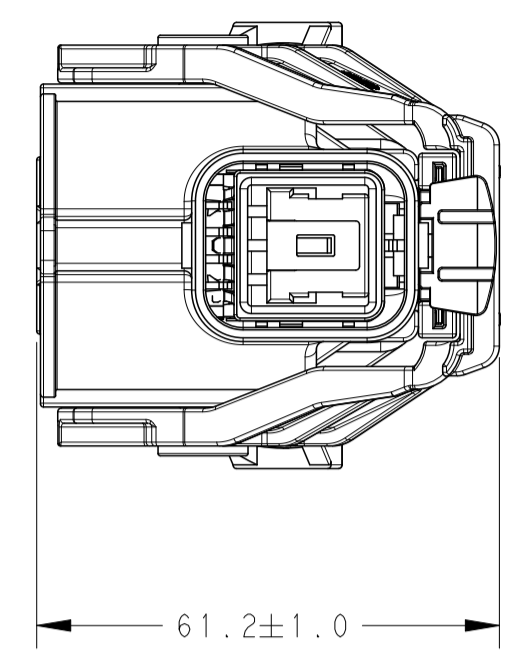


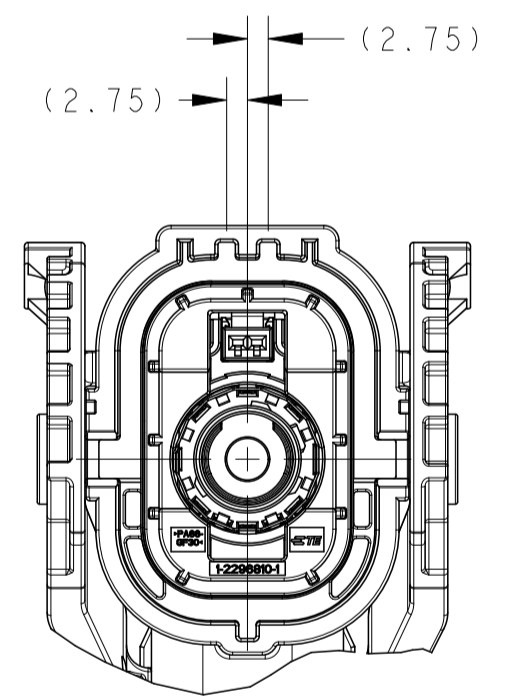
REVISIONS				
P	LYN	DESCRIPTION	DATE	APVD
A		RELEASED	18SEP17	JL IY



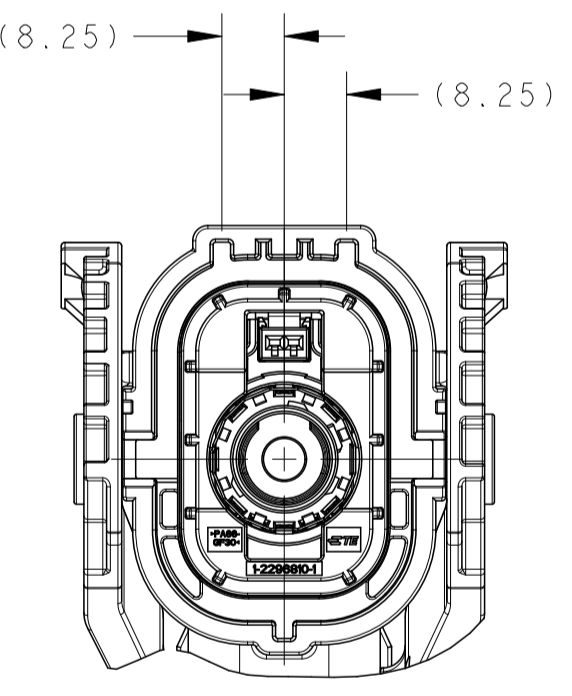
NOTES:

- 1. SUPPLY CONDITION: LEVER IN END-LOCKING POSITION.
- △ CODING INDICATION
- 3. ALL PLASTIC PARTS USE V0 FIRE RETARDANT MATERIAL
- 4. SHIELDING PARTS ARE TIN PLATING
- 5. APPLICATION TEMPERATURE -40°C-125°C

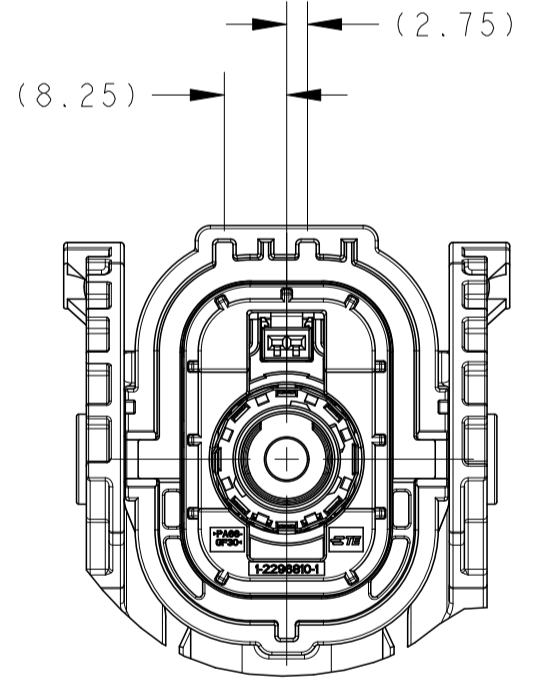
CODING DEFINITION △



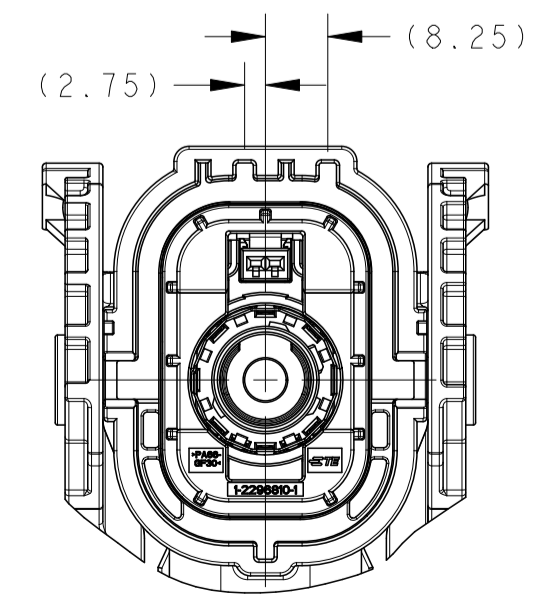
CODE A



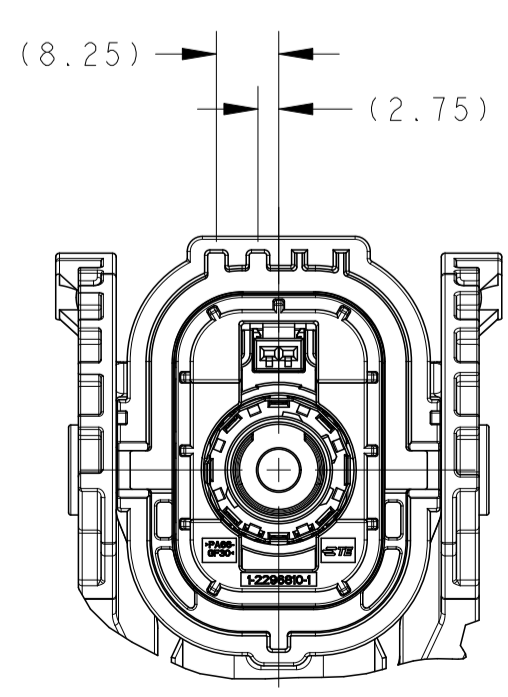
CODE B



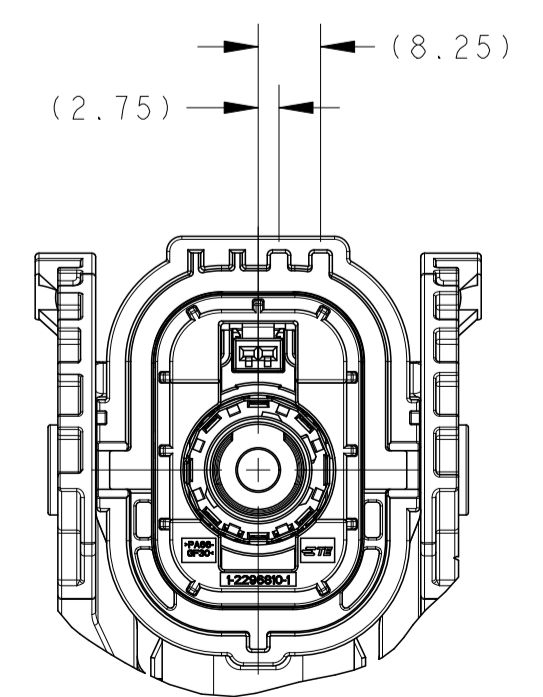
CODE C



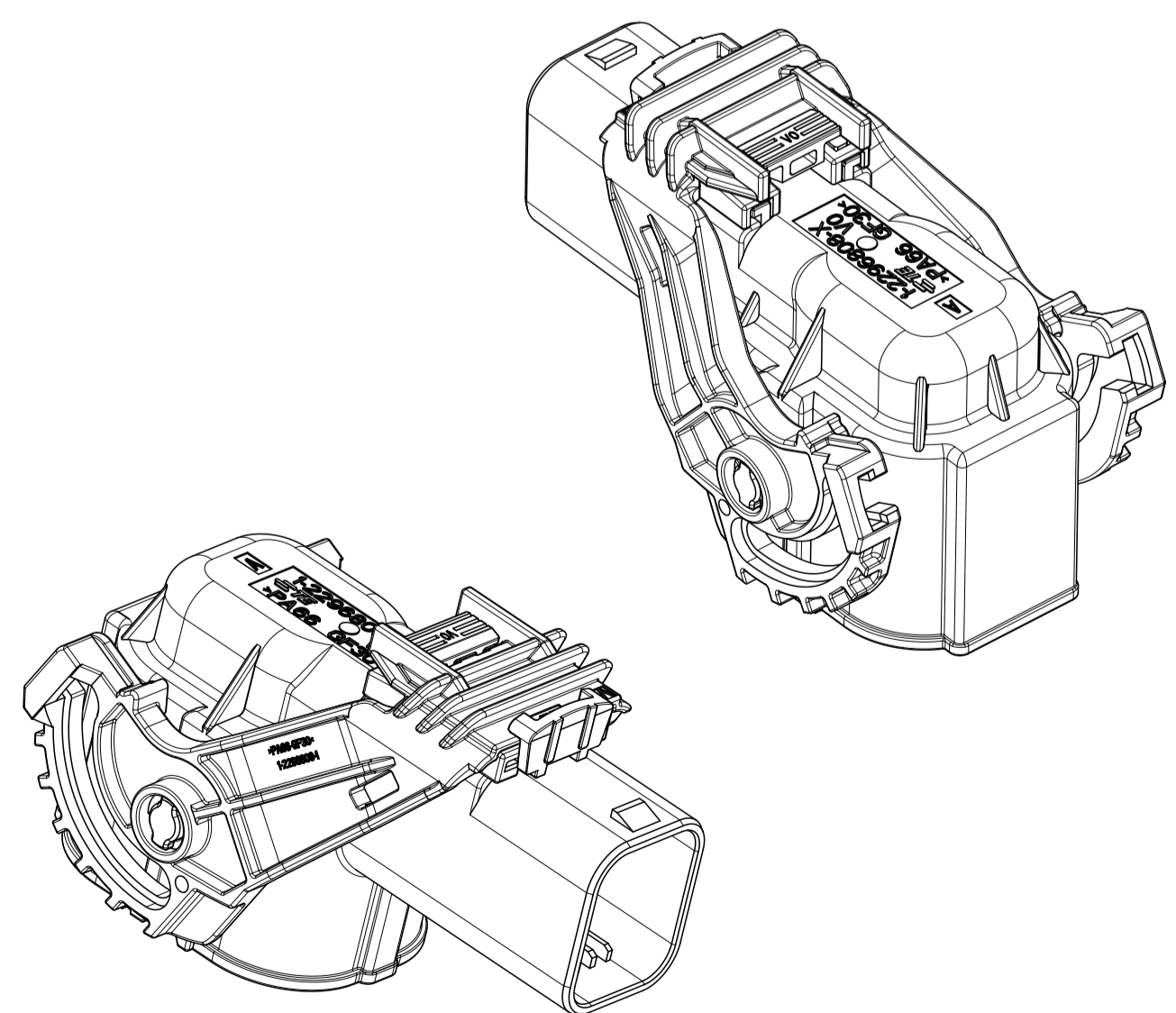
CODE D



CODE E



CODE F



-1 AS SHOWN

QTY	1	2	3	4	5	6	7	8	9	10	DESCRIPTION	MATERIAL	SURFACE COLOR	ITEM
1	1	1	1	1	1	1	1	1	1	1	CPA ADAPTER	PA66-GF	GRAY	10
1	1	1	1	1	1	1	1	1	1	1	SHIELDING SLEEVE,90 DEG	Cu-ALLOY	TIN PLATED	9
1	1	1	1	1	1	1	1	1	1	1	INSULATION INSERT,90 DEG	PA66-GF	GRAY	8
1	1	1	1	1	1	1	1	1	1	1	SHIELDING	Cu-ALLOY	TIN PLATED	7
1	1	1	1	1	1	1	1	1	1	1	INSULATION INSERT	PA66-GF	GRAY	6
1	1	1	1	1	1	1	1	1	1	1	CPA	PA66-GF	RED	5
-	1	-	-	1	-	-	-	-	-	-	LEVER,90DEG	PA66-GF	WHITE	4
-	-	1	-	-	1	-	-	-	-	-	LEVER,90DEG	PA66-GF	RED	4
1	-	-	1	-	-	1	-	-	-	-	LEVER,90DEG	PA66-GF	BLACK	4
1	1	1	1	1	1	1	1	1	1	1	MCON-1.2.RECEPTACLE HSG. ASSY	-	-	3
1	1	1	1	1	1	1	1	1	1	1	RADIAL SEAL	MVQ	NATURAL	2
1	-	-	-	-	-	-	-	-	-	-	P2P 1P PLUG HSG 90DEG, CODE A	PA66-GF	GRAY	1
-	1	-	-	-	-	-	-	-	-	-	P2P 1P PLUG HSG 90DEG, CODE F	PA66-GF	ORANGE	1
-	-	1	-	-	-	-	-	-	-	-	P2P 1P PLUG HSG 90DEG, CODE E	PA66-GF	ORANGE	1
-	-	-	1	-	-	-	-	-	-	-	P2P 1P PLUG HSG 90DEG, CODE D	PA66-GF	ORANGE	1
-	-	-	-	1	-	-	-	-	-	-	P2P 1P PLUG HSG 90DEG, CODE C	PA66-GF	ORANGE	1
-	-	-	-	-	1	-	-	-	-	-	P2P 1P PLUG HSG 90DEG, CODE B	PA66-GF	ORANGE	1
-	-	-	-	-	-	1	-	-	-	-	P2P 1P PLUG HSG 90DEG, CODE A	PA66-GF	ORANGE	1
-7	-6	-5	-4	-3	-2	-1					DESCRIPTION	MATERIAL	SURFACE COLOR	ITEM

THIS DRAWING IS A CONTROLLED DOCUMENT. DWG: J.LI 21AUG2017
 CHK: E. JIANG 28AUG2017
 APVD: J. YIN 18SEP2017

TE Connectivity

NAME: P2P 1P PLUG HSG 90DEG ASSY

SIZE: A1 CAGE CODE: - DRAWING NO: - RESTRICTED TO: -
 SCALE: 1:1 SHEET: 1 OF 1 REV: A

WEIGHT: (82.5g)

CUSTOMER DRAWING