



**120 ° Adjustable  
Illumination**



**6 ft Power Cord  
w/ 100V Plug**

**High  
Brightness**

14 Watts x 2  
LEDs

**Glass  
Diffuser**

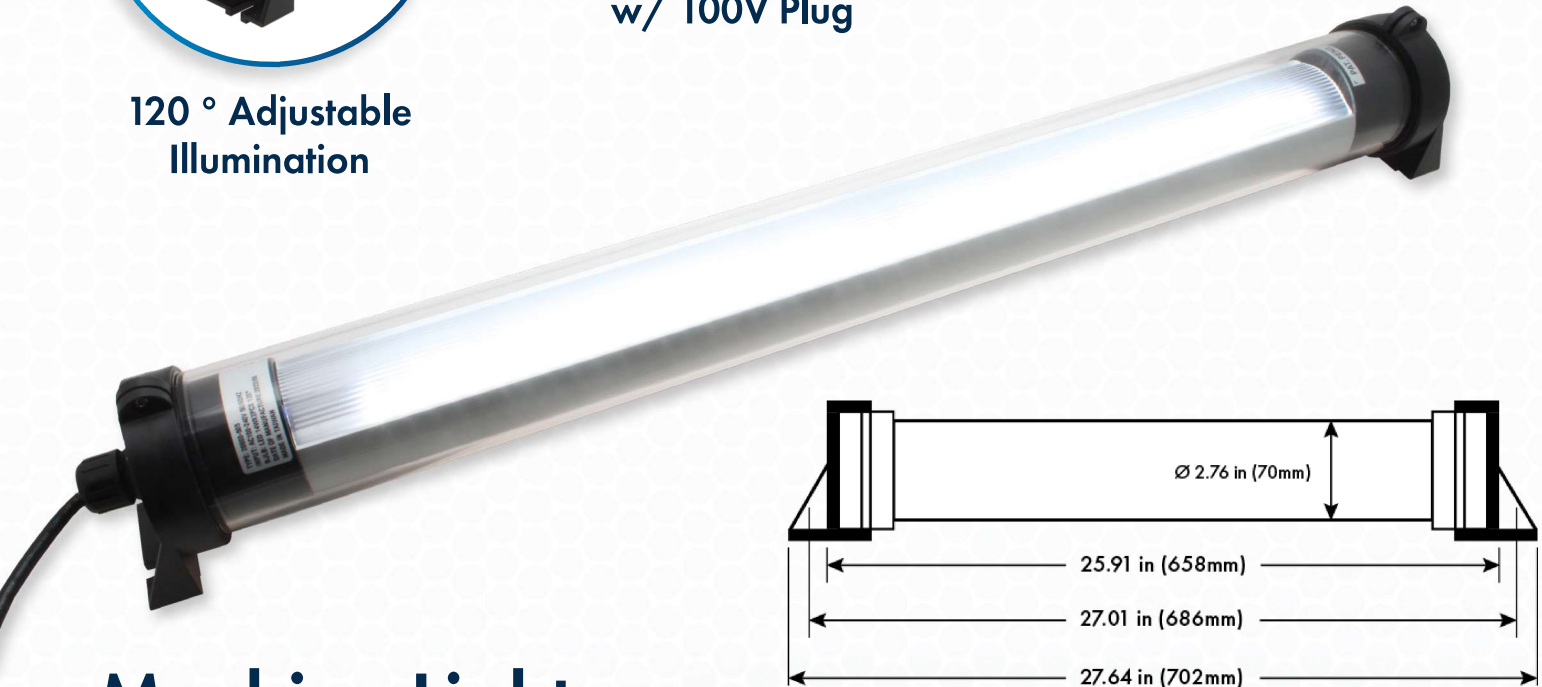
Provides even  
light distribution

**IP67 Rated**

Sealed to keep  
out fluids, chips  
& shavings

**Angle Light  
0° - 120°**

Adjustable  
mounting  
bracket



# Machine Light

**Tubular LED Machine Light 2 x 14 Watt 26 in (658mm)  
with Glass Diffuser**

Aven's LED machine lights are designed to provide even, ultra high brightness and a wide illumination angle for use with machining centers, semiconductor manufacturing equipment, workshops, clean rooms etc. This Tubular LED Machine Light is 26 in (658mm) in length with a diameter of 2.76 in (70mm). The LED lights provide 40,000 hours of life. The glass diffuser lens provides even light distribution. The machine light is IP67 rated and comes with a mounting bracket with hardware and a 6ft cable with 110V plug.

## Key Features

- Long life LEDs (40,000 hours)
- Illuminance: 530 lux at 55 inches (1.4 meters)
- Wide illumination angle
- IP67 rated
- Sealed to keep out fluids, chips and shavings
- Glass diffuser lens
- Built-in Ballast

### Machine Light Tubular LED Machine Light 2 x 14 Watt 26 in (658mm) with Glass Diffuser Lens

<b>Item #</b>	26600-505G
<b>Input Voltage</b>	AC100-240V 50/60 HZ
<b>LED Watts</b>	14 watts x 2
<b>Illuminance</b>	530 lux at 55 in (1.4meters)
<b>Color Temperature</b>	5700K
<b>Illumination Angle</b>	0° - 120° Degrees
<b>Rating</b>	IP67
<b>Lens Type</b>	Glass
<b>Cable Length</b>	6 ft with 110V Plug
<b>Operating Temperature Range</b>	-30°C to +40°C -22°F to +104°F
<b>Package Contents</b>	<ul style="list-style-type: none"> <li>• Machine Light</li> <li>• Mounting Bracket w/ Hardware</li> <li>• 6ft cable w/ 110V plug</li> </ul>