

NOTE

1. 材料及び仕上げ(めっき仕様) : TABLE 1 参照
 MATERIAL AND FINISHES : SEE TABLE 1

2. 適用製品及び各種仕様書はSHEET 2をご参照ください。
 PLEASE REFER TO SHEET 2 FOR APPLICABLE PRODUCTS AND VARIOUS SPECIFICATIONS.

3. 本製品は錫めっき品です。
 金めっき品については500580000-SDを参照ください。
 THIS PRODUCT IS TIN PLATING TYPE.
 PLEASE REFER TO 500580000-SD FOR GOLD PLATING TYPE.

1 TABLE 1

部品 PART	材質 MATERIAL	
ターミナル TERMINAL	りん青銅 PHOSPHOR BRONZE	
	全面めっき OVERALL PLATING	錫めっき 0.9 micro-meters MIN (リフロー処理、前めっき) TIN PLATING 0.9 micro-meters MIN (REFLOW TREATMENT, PRE-PLATED)
DOCUMENT STATUS	P1	RELEASE DATE 2022/04/19 08:41:16

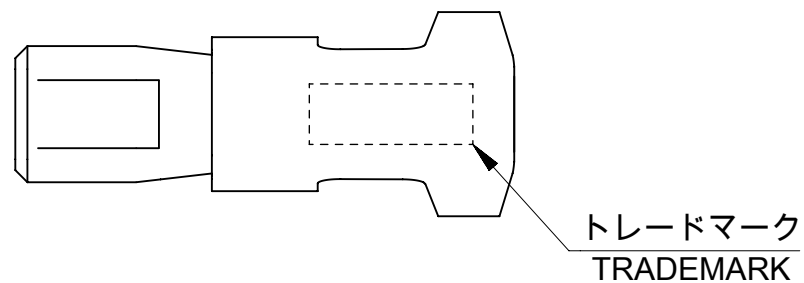
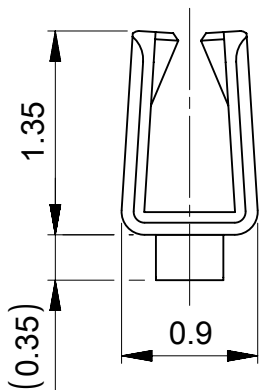
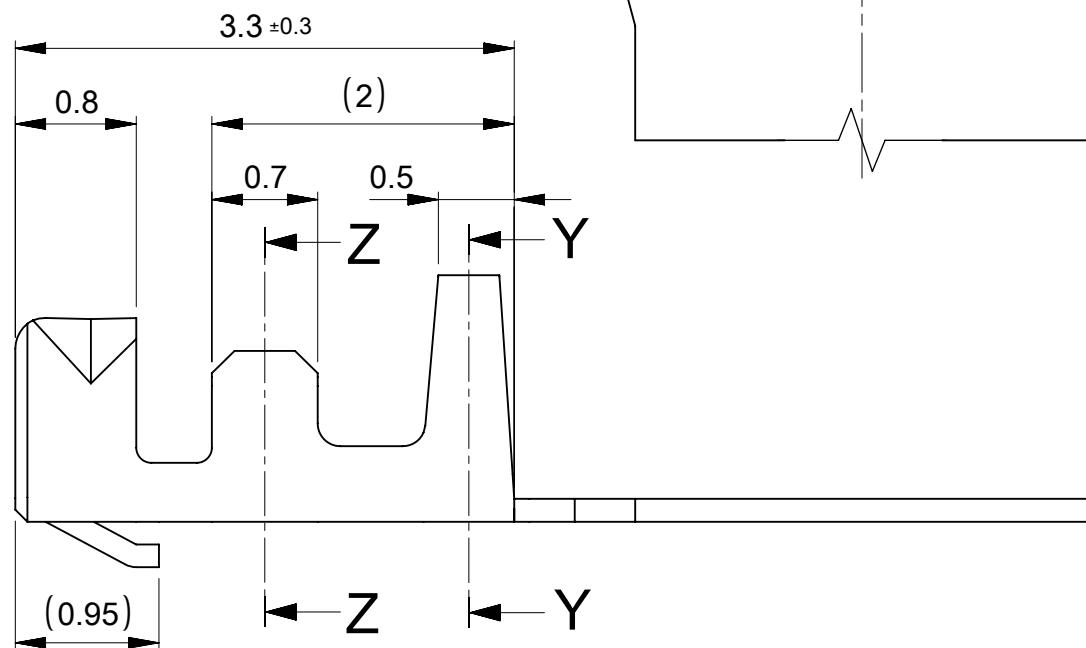
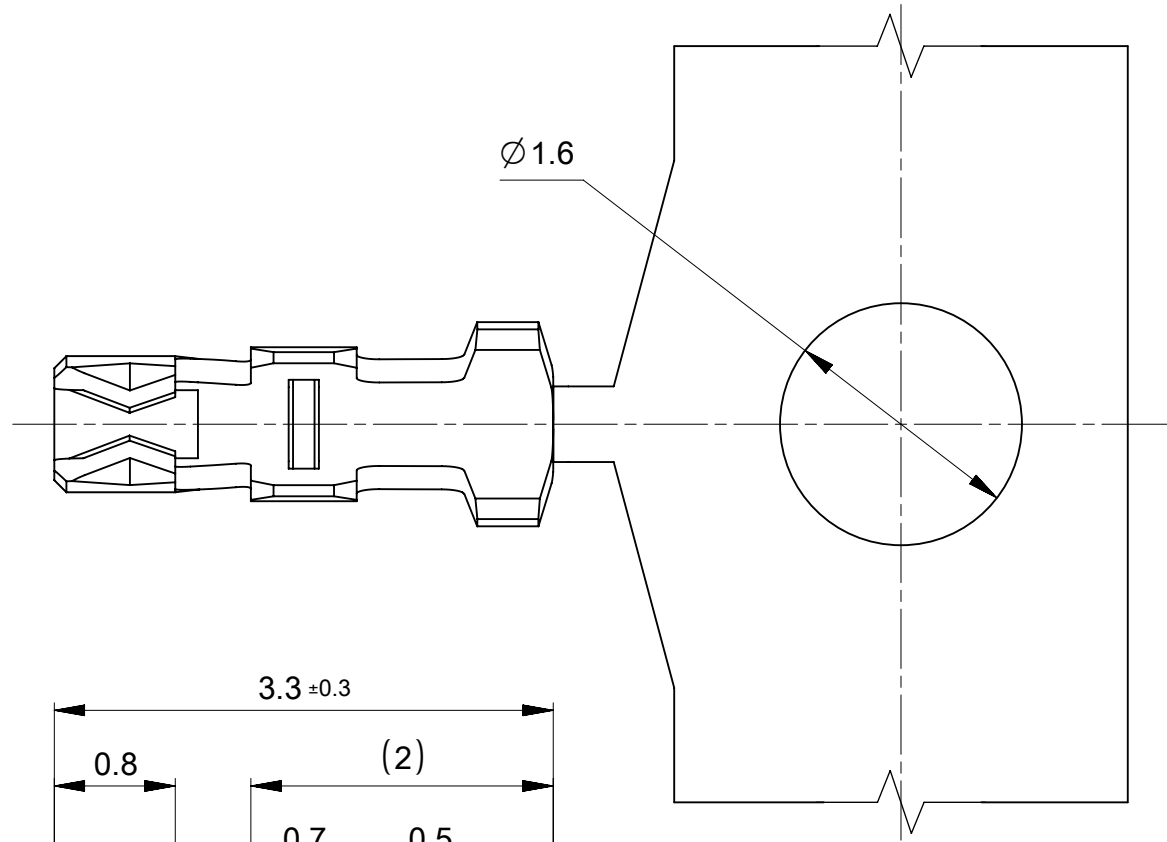
Φ0.5-Φ1.0	AWG#28-32	リール REEL	連鎖状 CHAIN	500588001
被覆外径 INS RANGE	適用電線範囲 WIRE RANGE	梱包形態 PACKING	端子形状 FORM	オーダー番号 ORDER NO
THIS DRAWING CONTAINS INFORMATION THAT IS PROPRIETARY TO MOLEX ELECTRONIC TECHNOLOGIES, LLC AND SHOULD NOT BE USED WITHOUT WRITTEN PERMISSION				
DIMENSION UNITS mm		SCALE NTS		
CURRENT REV DESC: NEW RELEASED				
GENERAL TOLERANCES (UNLESS SPECIFIED)		molex		
ANGULAR TOL ± 3.0°				
4 PLACES ± 0.2		PICOBLADE 1.25 TIN PLATING AWG28-32 RECEPTACLE CRIMP TERMINAL		
3 PLACES ± 0.2		PRODUCT CUSTOMER DRAWING		
2 PLACES ± 0.2		DOCUMENT NUMBER		
1 PLACE ± 0.2		500580002-SD		
0 PLACES ± 0.2		DOC TYPE DOC PART REVISION PSD 000 A		
DRAFT WHERE APPLICABLE MUST REMAIN WITHIN DIMENSIONS		THIRD ANGLE PROJECTION	DRAWING A3-SIZE	SERIES 50058
		MATERIAL NUMBER SEE CHART	CUSTOMER	SHEET NUMBER 1 OF 2

△ 2 適用製品および各種仕様書
APPLICABLE PRODUCTS AND SPECIFICATIONS

梱包仕様書 PACKING SPECIFICATION	PART NUMBER		SPECIFICATION NUMBER			
	500588001		500589200SPK PS 200			
適用ハウジング APPLICABLE HOUSING	PART NUMBER					
	51021**00					
適用嵌合相手 MATE WITH	THROUGH HOLE		SMT			WIRE TO WIRE
	TIN PLATING		TIN PLATING			TIN PLATING
シリーズ番号 SERIES NUMBER	VERTICAL	RIGHT ANGLE	VERTICAL		RIGHT ANGLE	
			WITH VACUUM CAP	WITHOUT VACUUM CAP		
53047**10	53048**10	53398**67	53398**71	53621**71	51047**00	
製品仕様書 PRODUCT SPECIFICATION	510211110-PS PS 000	510211111-PS PS 000	510211124-PS PS 000			510211109-PS PS 000
アプリケーション仕様書(取扱説明書) APPLICATION SPECIFICATION	510210000-AS PS 000				510210001-AS PS 000	

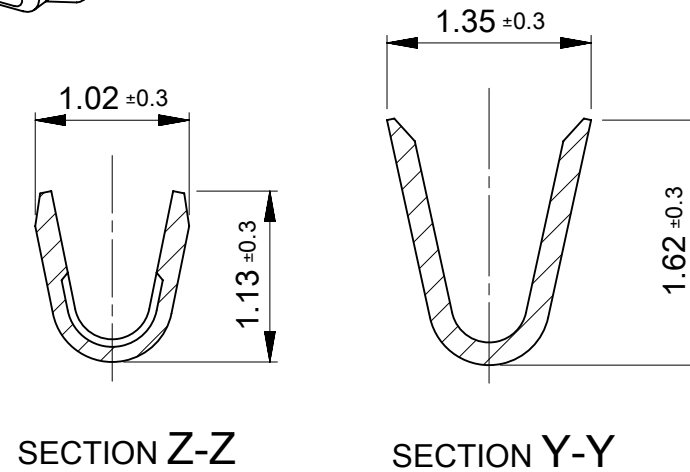
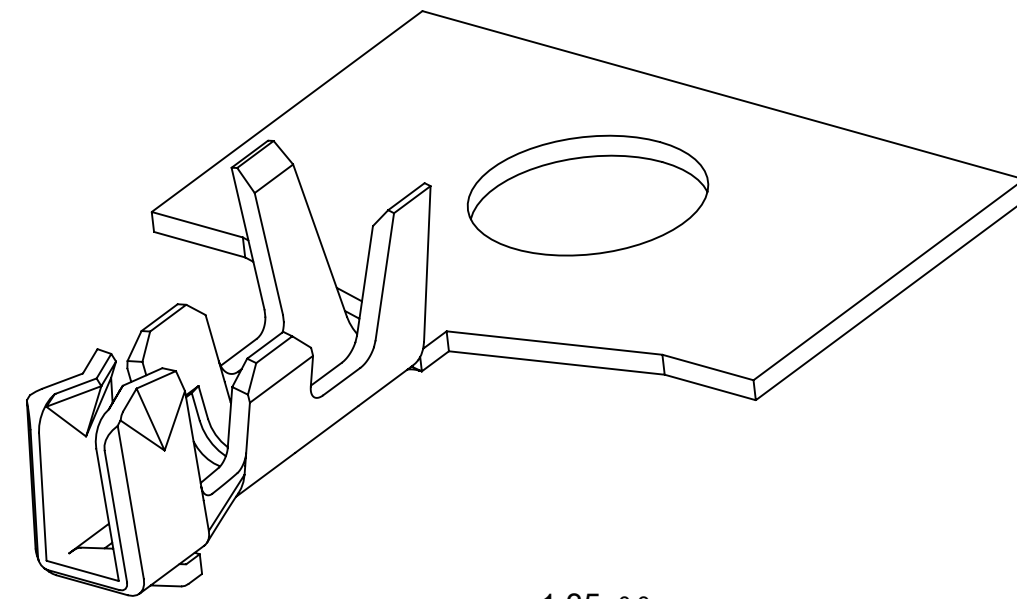
製品嵌合図は各嵌合相手図面参照のこと
MATING VIEW: REFER TO EACH "MATE WITH" PART DRAWING.

THIS DRAWING CONTAINS INFORMATION THAT IS PROPRIETARY TO MOLEX ELECTRONIC TECHNOLOGIES, LLC AND SHOULD NOT BE USED WITHOUT WRITTEN PERMISSION									
DIMENSION UNITS	SCALE	CURRENT REV DESC: NEW RELEASED				molex			
mm	NTS					PICOBLADE 1.25 TIN PLATING AWG28-32 RECEPTACLE CRIMP TERMINAL			
GENERAL TOLERANCES (UNLESS SPECIFIED)		EC NO: 691727 DRWN: HHUSSIN 2021/03/24 CHK'D: SAKIYAMA 2022/04/19 APPR: AIDA 2022/04/19				PRODUCT CUSTOMER DRAWING			
ANGULAR TOL	± 3.0 °					INITIAL REVISION:			
4 PLACES	± 0.2					DRWN: HHUSSIN 2021/03/24			
3 PLACES	± 0.2					APPR: AIDA 2022/04/19			
2 PLACES	± 0.2					DRWN: HHUSSIN 2021/03/24			
1 PLACE	± 0.2	APPR: AIDA 2022/04/19				DOCUMENT NUMBER	DOC TYPE	DOC PART	REVISION
0 PLACES	± 0.2	DRAFT WHERE APPLICABLE MUST REMAIN WITHIN DIMENSIONS				500580002-SD	PSD	000	A
		THIRD ANGLE PROJECTION	DRAWING	SERIES	MATERIAL NUMBER	CUSTOMER		SHEET NUMBER	
			A3-SIZE	50058	SEE CHART			2 OF 2	



トレードマーク
TRADEMARK

1 TABLE 1



NOTE

- 1 材料及び仕上げ(めっき仕様) : TABLE 1 参照
MATERIAL AND FINISHES : SEE TABLE 1
- 2 適用製品及び各種仕様書はSHEET 2をご参照ください。
PLEASE REFER TO SHEET 2 FOR APPLICABLE PRODUCTS AND VARIOUS SPECIFICATIONS.
- 3. 本製品は錫めっき品です。
金めっき品については500790000-SDを参照ください。
THIS PRODUCT IS TIN PLATING TYPE.
PLEASE REFER TO 500790000-SD FOR GOLD PLATING TYPE.

Φ0.5-Φ1.04	AWG#26-28	リール REEL	連鎖状 CHAIN	500798001
被覆外径 INS RANGE	適用電線範囲 WIRE RANGE	梱包形態 PACKING	端子形状 FORM	オーダー番号 ORDER NO

THIS DRAWING CONTAINS INFORMATION THAT IS PROPRIETARY TO MOLEX ELECTRONIC TECHNOLOGIES, LLC AND SHOULD NOT BE USED WITHOUT WRITTEN PERMISSION											
DIMENSION UNITS		SCALE		CURRENT REV DESC: NEW RELEASED							
mm		NTS		molex							
GENERAL TOLERANCES (UNLESS SPECIFIED)											
ANGULAR TOL ± 3.0°				PICOBLADE 1.25 TIN PLATING AWG26-28 RECEPTACLE CRIMP TERMINAL							
4 PLACES ± 0.2				PRODUCT CUSTOMER DRAWING							
3 PLACES ± 0.2				DOCUMENT NUMBER							
2 PLACES ± 0.2				500790002-SD							
1 PLACE ± 0.2				DOC TYPE							
0 PLACES ± 0.2				PSD							
DRAFT WHERE APPLICABLE MUST REMAIN WITHIN DIMENSIONS				THIRD ANGLE PROJECTION		DRAWING		SERIES		SHEET NUMBER	
				A3-SIZE		50079		SEE CHART		1 OF 2	

部品 PART	材質 MATERIAL	
ターミナル TERMINAL	りん青銅 PHOSPHOR BRONZE	
	全面めっき OVERALL PLATING	錫めっき 0.9 micro-meters MIN (リフロー処理、前めっき) TIN PLATING 0.9 micro-meters MIN (REFLOW TREATMENT, PRE-PLATED)

DOCUMENT STATUS	P1	RELEASE DATE	2022/04/19	08:41:17
-----------------	----	--------------	------------	----------

△ 2 適用製品および各種仕様書
APPLICABLE PRODUCTS AND SPECIFICATIONS

梱包仕様書 PACKING SPECIFICATION	PART NUMBER		SPECIFICATION NUMBER		
	500798001		SPK-50079-001 PS 001		
適用ハウジング APPLICABLE HOUSING	PART NUMBER				
	51021**00				
適用嵌合相手 MATE WITH	THROUGH HOLE		SMT		WIRE TO WIRE
	TIN PLATING		TIN PLATING		TIN PLATING
シリーズ番号 SERIES NUMBER	VERTICAL	RIGHT ANGLE	VERTICAL		
			WITH VACUUM CAP	WITHOUT VACUUM CAP	RIGHT ANGLE
53047**10	53048**10	53398**67	53398**71	53621**71	
製品仕様書 PRODUCT SPECIFICATION	510211110-PS PS 000	510211111-PS PS 000	510211124-PS PS 000		510211109-PS PS 000
アプリケーション仕様書(取扱説明書) APPLICATION SPECIFICATION	510210000-AS PS 000				510210001-AS PS 000

製品嵌合図は各嵌合相手図面参照のこと
 MATING VIEW: REFER TO EACH "MATE WITH" PART DRAWING.

THIS DRAWING CONTAINS INFORMATION THAT IS PROPRIETARY TO MOLEX ELECTRONIC TECHNOLOGIES, LLC AND SHOULD NOT BE USED WITHOUT WRITTEN PERMISSION									
DIMENSION UNITS	SCALE	CURRENT REV DESC: NEW RELEASED			molex				
mm	NTS				PICOBLADE 1.25 TIN PLATING AWG26-28 RECEPTACLE CRIMP TERMINAL				
GENERAL TOLERANCES (UNLESS SPECIFIED)					PRODUCT CUSTOMER DRAWING				
ANGULAR TOL ± 3.0 °									
4 PLACES ± 0.2	3 PLACES ± 0.2	2 PLACES ± 0.2	1 PLACE ± 0.2	0 PLACES ± 0.2	INITIAL REVISION:				
		EC NO: 691727		DRWN: HHUSSIN		2021/03/19			
		CHK'D: SAKIYAMA		2022/04/19		APPR: AIDA		2022/04/19	
		DRWN: HHUSSIN		2021/03/19		APPR: AIDA		2022/04/19	
DRAFT WHERE APPLICABLE MUST REMAIN WITHIN DIMENSIONS		THIRD ANGLE PROJECTION		DRAWING	SERIES	MATERIAL NUMBER	CUSTOMER		SHEET NUMBER
				A3-SIZE	50079	SEE CHART			2 OF 2