

A-INL-M50-N-S - Counter nut

1411247

<https://www.phoenixcontact.com/us/products/1411247>

Please be informed that the data shown in this PDF document is generated from our online catalog. Please find the complete data in the user documentation. Our general terms of use for downloads are valid.

Counter nut, for threads M50 x 1.5, color: silver



Commercial data

Item number	1411247
Packing unit	25 pc
Minimum order quantity	100 pc
Sales key	BF68
Product key	BF7DZX
Catalog page	Page 688 (C-2-2019)
GTIN	4046356923798
Weight per piece (including packing)	32.48 g
Weight per piece (excluding packing)	32.48 g
Customs tariff number	74198090
Country of origin	DE

A-INL-M50-N-S - Counter nut

1411247

<https://www.phoenixcontact.com/us/products/1411247>

Technical data

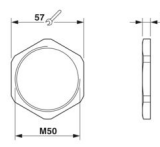
Product properties

Product type	Flat nut
Thread type	M50

Data management status

Article revision	00
------------------	----

Dimensions

Dimensional drawing	
Length	5 mm
Diameter	50 mm
Connecting thread diameter	50 mm
Wrench size, counter nut	57 mm
Hexagon angular dimension	65 mm
Thread type connection side	M50 x 1.5
Thread pitch	1.5 mm

Material specifications

Material	Brass, nickel-plated
----------	----------------------

Cable/line

Halogen-free	yes
--------------	-----

Environmental and real-life conditions

Ambient conditions

Ambient temperature (operation)	-70 °C ... 220 °C
---------------------------------	-------------------

A-INL-M50-N-S - Counter nut

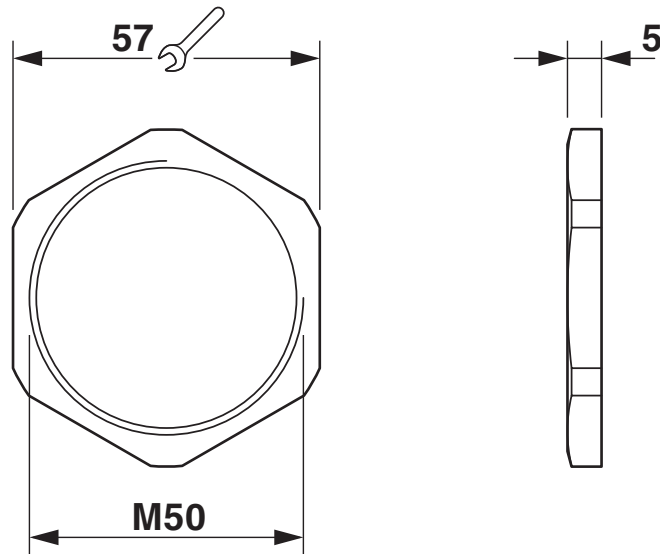
1411247

<https://www.phoenixcontact.com/us/products/1411247>



Drawings

Dimensional drawing



A-INL-M50-N-S - Counter nut



1411247

<https://www.phoenixcontact.com/us/products/1411247>

Classifications

ECLASS

ECLASS-11.0	27144424
ECLASS-13.0	27140807

ETIM

ETIM 9.0	EC000879
----------	----------

UNSPSC

UNSPSC 21.0	31161700
-------------	----------

A-INL-M50-N-S - Counter nut



1411247

<https://www.phoenixcontact.com/us/products/1411247>

Environmental product compliance

EU RoHS

Fulfills EU RoHS substance requirements	Yes
Exemption	6(c)

China RoHS

Environment friendly use period (EFUP)	EFUP-50
	An article-related China RoHS declaration table can be found in the download area for the respective article under "Manufacturer declaration". For all articles with EFUP-E, no China RoHS declaration table issued and required.

EU REACH SVHC

REACH candidate substance (CAS No.)	Lead(CAS: 7439-92-1)
SCIP	df14a325-0050-4f47-b4ce-14e41e64b9b9

Phoenix Contact 2024 © - all rights reserved

<https://www.phoenixcontact.com>

Phoenix Contact USA
586 Fulling Mill Road
Middletown, PA 17057, United States
(+717) 944-1300
info@phoenixcon.com