

UPS-BAT/VRLA-WTR/24DC/26AH - Battery module



2320429

<https://www.phoenixcontact.com/us/products/2320429>

Please be informed that the data shown in this PDF document is generated from our online catalog. Please find the complete data in the user documentation. Our general terms of use for downloads are valid.

Battery module, lead AGM, VRLA technology, 24 V DC, 26 Ah, tool-free battery replacement, automatic detection, and communication with QUINT UPS-IQ



Product description

For continuous monitoring and intelligent management, there is constant communication with the QUINT UPS. Thanks to automatic detection of the battery module and tool-free switching during operation, quick installation is possible. The battery modules for QUINT UPS with IQ Technology leave the warehouse fully charged.

Your advantages

- Maximum buffer times at extreme temperatures
- Pure lead AGM technology (Absorbent Glass Mat)

Commercial data

Item number	2320429
Packing unit	1 pc
Minimum order quantity	1 pc
Sales key	CM24
Product key	CMUEW3
Catalog page	Page 338 (C-4-2019)
GTIN	4046356707718
Weight per piece (including packing)	21,460 g
Weight per piece (excluding packing)	21,460 g
Customs tariff number	85072080
Country of origin	US

Technical data

Notes

General

Note on the battery	This product contains a battery with a limited shelf life that must be charged every few months. The product packaging indicates when the battery must be started up or recharged. The general shelf life can be found in the technical data area under "Latest startup".
---------------------	---

Input data

Input voltage	24 V DC
Buffer period	120 min. (10 A) 30 min. (40 A)

Output data

Nominal output voltage	24 V DC
Output current I_{max}	45 A
Output fuse	2x 25 A ATOF 32V
Connection in parallel	15
Connection in series	No

Battery operation

Nominal output voltage	24 V DC
Nominal output current (I_N)	45 A

Energy storage

End-of-charge voltage	27.6 V (20 °C)
Charging current	10.4 A
Nominal capacity	26 Ah
Latest startup date (battery only)	12 Months (0 °C ... 20 °C)
Latest startup (battery only) - range	9 Months ... 12 Months (20 °C ... 30 °C) 6 Months ... 9 Months (30 °C ... 40 °C)
Battery technology	VRLA-WTR
Memory medium	Pure lead AGM
Accumulator type	Genesis G26EPX
Number of cells	2
Size designation	Block
Battery pack	yes
IQ technology	Yes
Temperature sensor	yes
Suitable for fast charging	yes
Approved according to	UL Style 3321150 °C 600 V AC 750 V DC

Product properties

UPS-BAT/VRLA-WTR/24DC/26AH - Battery module



2320429

<https://www.phoenixcontact.com/us/products/2320429>

Product type	Battery module
Product family	Battery module
Application	for QUINT4 DC-UPS, QUINT4 AC-UPS, and QUINT-UPS
Disposal	Used batteries must not be thrown away with household waste, they should instead be disposed of in accordance with applicable national regulations.
IQ technology	Yes

Insulation characteristics

Protection class	III
Degree of pollution	2

Dimensions

Width	358 mm
Height	174 mm
Depth	169 mm

Mounting

Mounting position	Horizontally, on a mounting panel
-------------------	-----------------------------------

Material specifications

Housing material	Plastic
Housing material	Metal

Cable/line

Battery connecting cable: A+/-

Cable cross section	6 mm ²
Cable length	340 mm
Color	red/black

Battery connecting cable: B+/-

Cable cross section	6 mm ²
Cable length	110 mm
Color	red/black

Environmental and real-life conditions

Ambient conditions

Degree of protection	IP20
Ambient temperature (operation)	-25 °C ... 60 °C
Ambient temperature (storage/transport)	-40 °C ... 60 °C
Max. permissible relative humidity (operation)	≤ 95 %
Shock	18 ms, 30g, in each space direction (according to IEC 60068-2-27)
Vibration (operation)	< 15 Hz, amplitude ±2,5 mm, 15 Hz ... 150 Hz, according to IEC 60068-2-6 15 Hz ... 150 Hz, 2.3g, 90 min.

UPS-BAT/VRLA-WTR/24DC/26AH - Battery module



2320429

<https://www.phoenixcontact.com/us/products/2320429>

Standards and regulations

Standard - Electrical safety	EN 62368-1/VDE 0868-1
------------------------------	-----------------------

Approvals

Shipbuilding approval	DNV GL (EMC A), ABS
UL approvals	UL/C-UL listed UL 508
	UL/C-UL Recognized UL 60950-1

Ex data

Suited for EX-applications	No
----------------------------	----

UPS-BAT/VRLA-WTR/24DC/26AH - Battery module

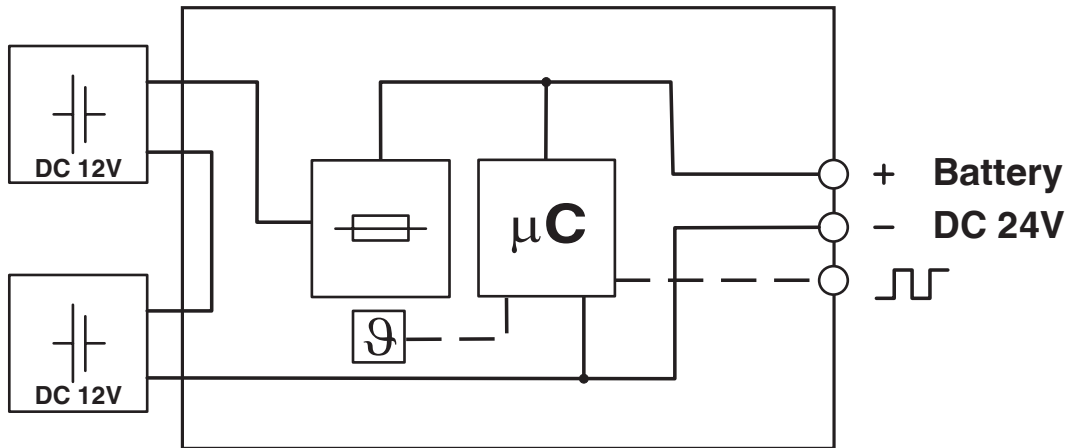


2320429

<https://www.phoenixcontact.com/us/products/2320429>

Drawings

Block diagram



UPS-BAT/VRLA-WTR/24DC/26AH - Battery module



2320429

<https://www.phoenixcontact.com/us/products/2320429>

Approvals

To download certificates, visit the product detail page: <https://www.phoenixcontact.com/us/products/2320429>



cUL Recognized
Approval ID: FILE E 211944



UL Recognized
Approval ID: FILE E 211944



IECEE CB Scheme
Approval ID: DK-29680-A1-M1-UL



LR
Approval ID: LR22136091TA



BV
Approval ID: 41516/B0 BV



UL Listed
Approval ID: FILE E 123528



cUL Listed
Approval ID: FILE E 123528

ABS

Approval ID: 22-2244289-PDA

DNV

Approval ID: TAA0000265

	Nominal voltage U_N	Nominal current I_N	Cross section AWG	Cross section mm^2
	500 V	41 A	-	- 6



cUL Listed
Approval ID: FILE E 199827



UL Listed
Approval ID: FILE E 199827

UPS-BAT/VRLA-WTR/24DC/26AH - Battery module



2320429

<https://www.phoenixcontact.com/us/products/2320429>

cULus Recognized

cULus Listed

cULus Listed

UPS-BAT/VRLA-WTR/24DC/26AH - Battery module



2320429

<https://www.phoenixcontact.com/us/products/2320429>

Classifications

ECLASS

ECLASS-11.0	27050403
ECLASS-13.0	27050403
ECLASS-12.0	27050403

ETIM

ETIM 9.0	EC000357
----------	----------

UNSPSC

UNSPSC 21.0	26111700
-------------	----------

2320429

<https://www.phoenixcontact.com/us/products/2320429>

Environmental product compliance

EU RoHS

Fulfills EU RoHS substance requirements	Yes
Exemption	7(a), 7(c)-I

China RoHS

Environment friendly use period (EFUP)	EFUP-15
	An article-related China RoHS declaration table can be found in the download area for the respective article under "Manufacturer declaration". For all articles with EFUP-E, no China RoHS declaration table issued and required.

EU REACH SVHC

REACH candidate substance (CAS No.)	Lead(CAS: 7439-92-1)
SCIP	e820281b-4250-4995-b18c-bbb6cab2a92b

UPS-BAT/VRLA-WTR/24DC/26AH - Battery module



2320429

<https://www.phoenixcontact.com/us/products/2320429>

Accessories

BATTERY MOUNTING CASE - Mounting set for securing the batteries

2320458

<https://www.phoenixcontact.com/us/products/2320458>

Used for mounting batteries that cannot be mounted on DIN rails.



BATTERY MOUNTING KIT - Mounting set for securing the batteries

2320788

<https://www.phoenixcontact.com/us/products/2320788>

Used for mounting batteries that cannot be mounted on DIN rails.



UPS-BAT/VRLA-WTR/24DC/26AH - Battery module



2320429

<https://www.phoenixcontact.com/us/products/2320429>

UPS-BAT-KIT-WTR 2X12V/26AH - Uninterruptible power supply replacement battery

2908369

<https://www.phoenixcontact.com/us/products/2908369>

Replacement battery for UPS-BAT/VRLA-WTR... battery modules



FUSE 25A/32V ATOF - Fuse

2908366

<https://www.phoenixcontact.com/us/products/2908366>

Fuse, nominal current: 25 A, length: 19.1 mm, width: 5 mm, height: 18.8 mm



Phoenix Contact 2024 © - all rights reserved
<https://www.phoenixcontact.com>

Phoenix Contact USA
586 Fulling Mill Road
Middletown, PA 17057, United States
(+717) 944-1300
info@phoenixcon.com