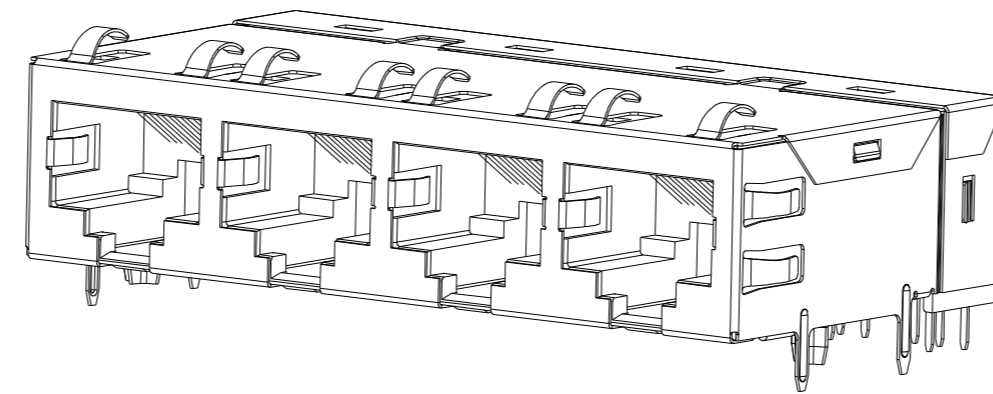
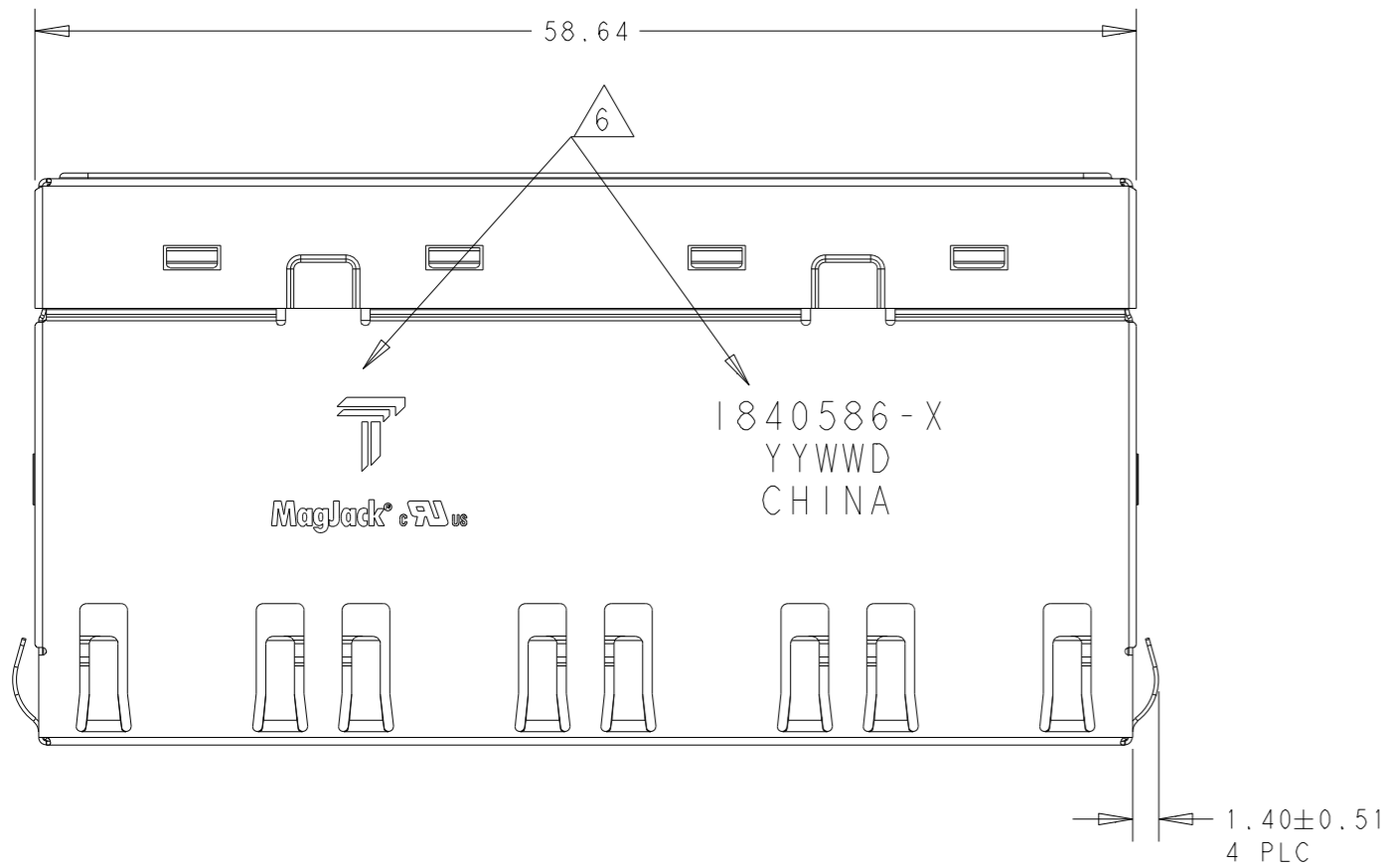


THIS DRAWING AND THE SUBJECT MATTER SHOWN THEREON ARE CONFIDENTIAL AND THE PROPERTY OF BEL/STEWART/TRP CONNECTOR AND SHALL NOT BE REPRODUCED, COPIED, OR USED IN ANY MANNER WITHOUT THE WRITTEN CONSENT OF TRP CONNECTOR.

PRODUCT MAY BE PROTECTED BY ONE OR MORE OF THE FOLLOWING US PATENTS:  
 5736910 5939955 6425781 6428361 6554638 6840817 7123117  
 7429195 7717749 7808751 6217391 6149050 7924130

REVISIONS				
P	LTR	DESCRIPTION	DATE	APVD
D		EC-1411035 COMPANY LOGO CHANGE	24DEC2014	DP TY



- MATERIAL  
 HOUSING: THERMOPLASTIC BLACK, FLAMMABILITY RATING UL 94V-0  
 SHIELD: 0.20mm THICK, BRASS  
 PREPLATED WITH MIN 0.76um SEMI-BRIGHT NICKEL  
 POST-DIPPED WITH 2.54um MIN SAC SOLDER AT GROUND PINS.  
 CONTACT TAILS: PHOSPHOR BRONZE, 0.46mmX0.30mm  
 WITH 1.27um MIN OVERALL NICKEL UNDERPLATE AND  
 SELECTIVE 1.27um MIN GOLD PLATING AT MATING INTERFACE  
 SOLDER TAIL: 0.25mm THICK, PHOSPHOR BRONZE, 1.27um MIN OVERALL NICKEL UNDERPLATE, 3um MIN TIN PLATE.

2 RJ45 CAVITY CONFORMS TO FCC RULES AND REGULATIONS PART 68, SUB-PART F.

- MAGNETICS  
 -APPLICATION: 10/100 BASE-T, PoE  
 -IMPEDANCE: 100 OHMS  
 -TURNS RATIO (CHIP:CABLE): TX = 1:1, RX = 1:1  
 -OPEN CIRCUIT INDUCTANCE (OCL): 350uH MIN @100kHz, 0.1VRMS,  
 8mADC BIAS FROM 0°C TO 70°C, TX AND RX  
 -PoE CURRENT: 350mADC MAX  
 -PERFORMANCE @ 25°C:  
 INSERTION LOSS (IL): 1.1dB MAX FROM 0.5MHz TO 100MHz  
 RETURN LOSS (RL): 18dB MIN FROM 0.5MHz TO 30MHz  
 18-20LOG(f/30)dB MIN FROM 30.1MHz TO 60MHz  
 12dB MIN FROM 60.1MHz TO 80MHz  
 CROSSTALK ATTENUATION: 35dB MIN FROM 0.5MHz TO 40MHz  
 33-20LOG(f/50)dB MIN FROM 40.1MHz TO 100MHz  
 COMMON MODE REJECTION RATIO (CMRR): 30dB MIN FROM 0.5MHz TO 100MHz  
 -ISOLATION VOLTAGE: 1500VAC (MAX) AT 60Hz FOR 60 SECONDS WITH ALL PORTS CONNECTED.

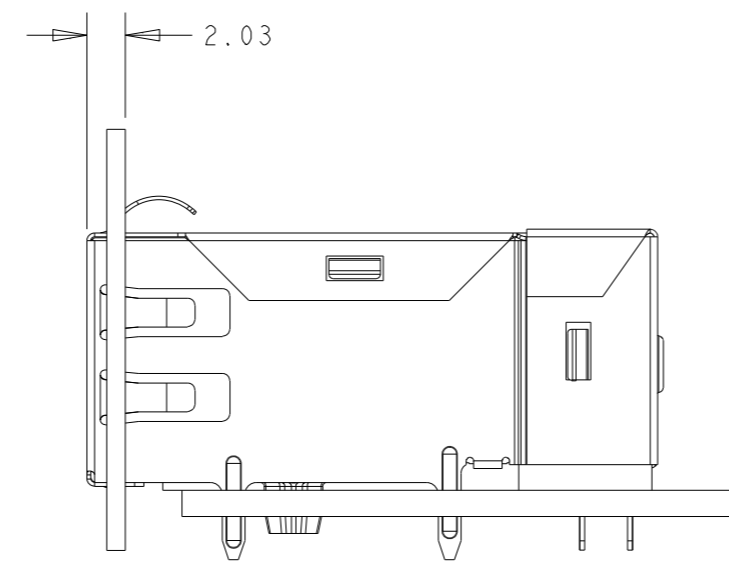
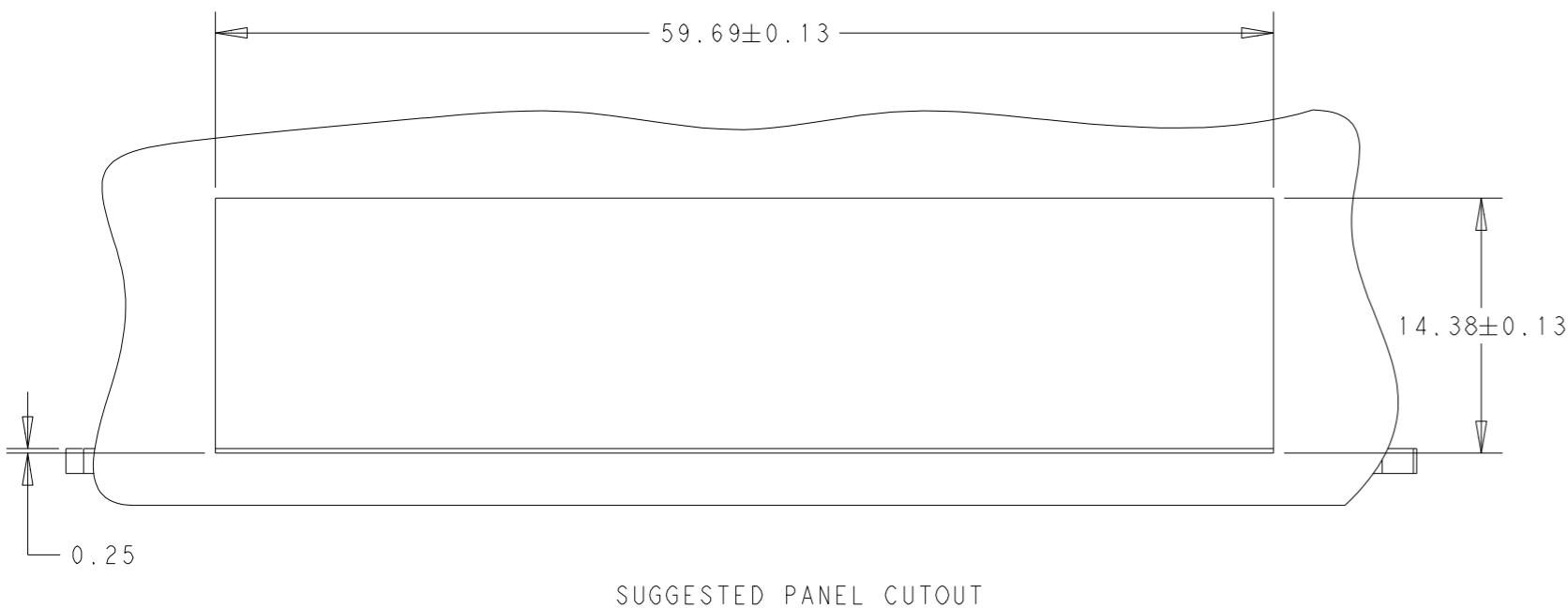
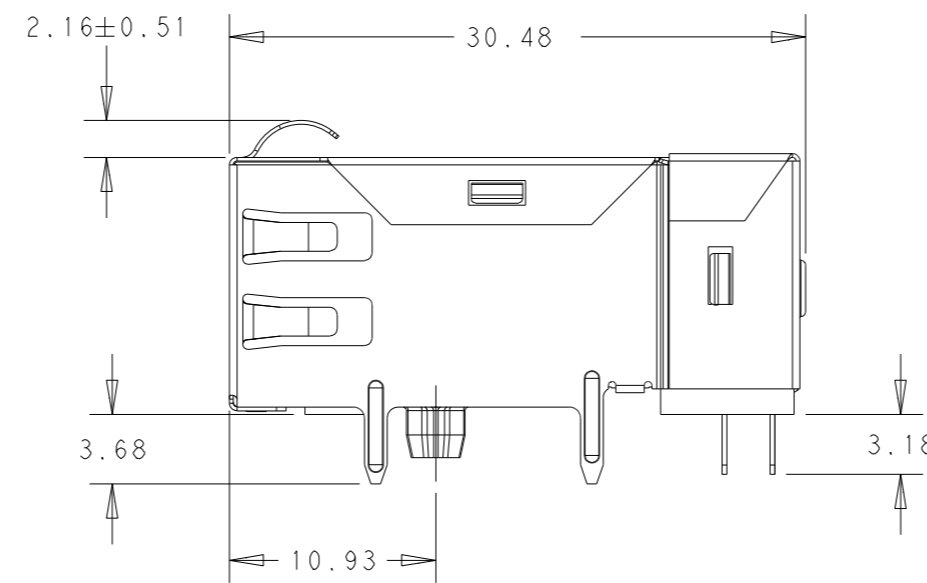
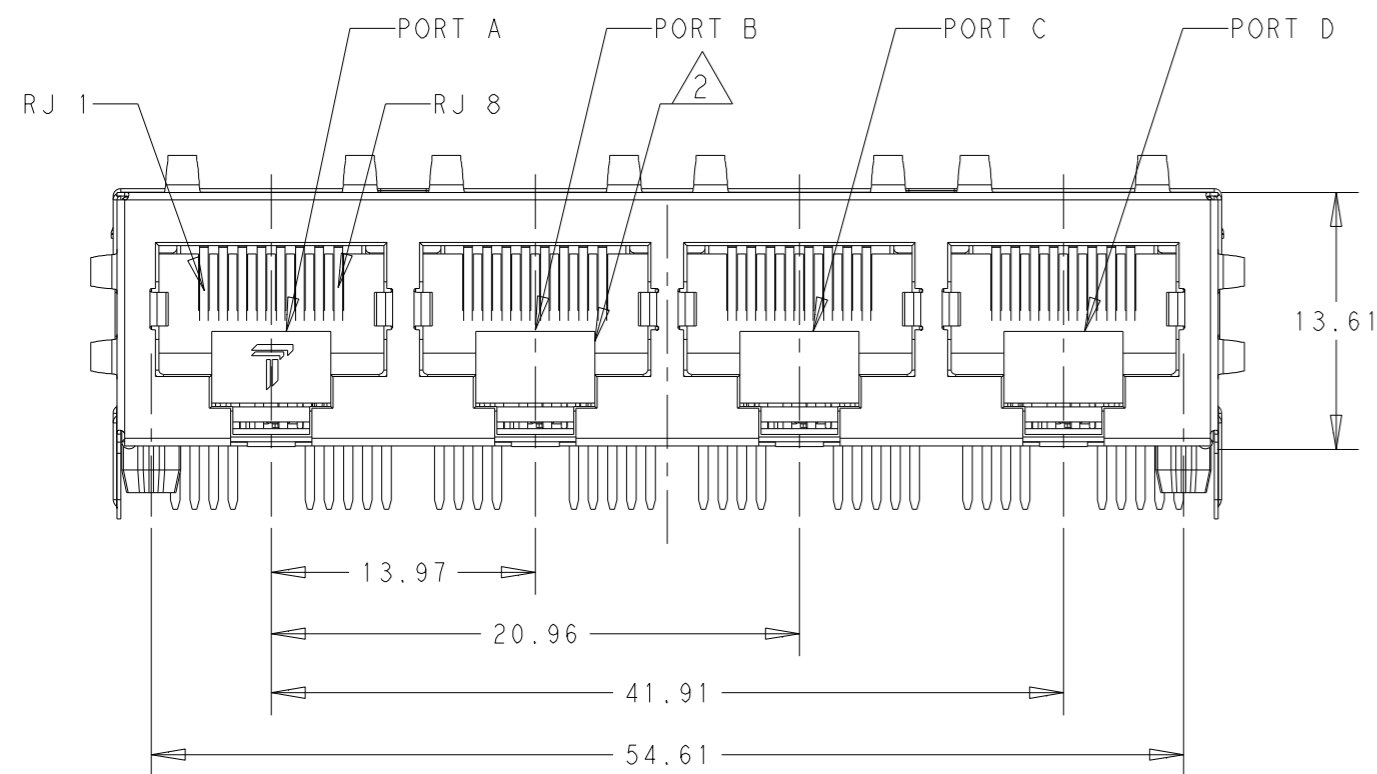
4. OPERATING TEMPERATURE: 0°C TO 70°C

5 THE MAGNETIC CIRCUITS ARE SYMMETRICAL TO SUPPORT AUTO-MDIX OPERATION.

6 TRP CONNECTOR LOGO, PART NUMBER, DATE CODE, PLACE OF ORIGIN TO BE MARKED IN APPROXIMATE LOCATION AS SHOWN.  
 DATE CODE: YYWWD "YY" IS YEAR, "WW" IS WORK WEEK, "D" IS DAY OF WEEK, WITH SUNDAY=1.


7. PART SHOULD BE RECOMMENDED FOR WAVE SOLDERING PROCESS, PREHEAT TEMPERATURE IS 120°C TO 160°C, 120 SECONDS TO 180 SECONDS, PEAK WAVE SOLDERING TEMPERATURE IS 260°C MAX, 10 SECONDS MAX.

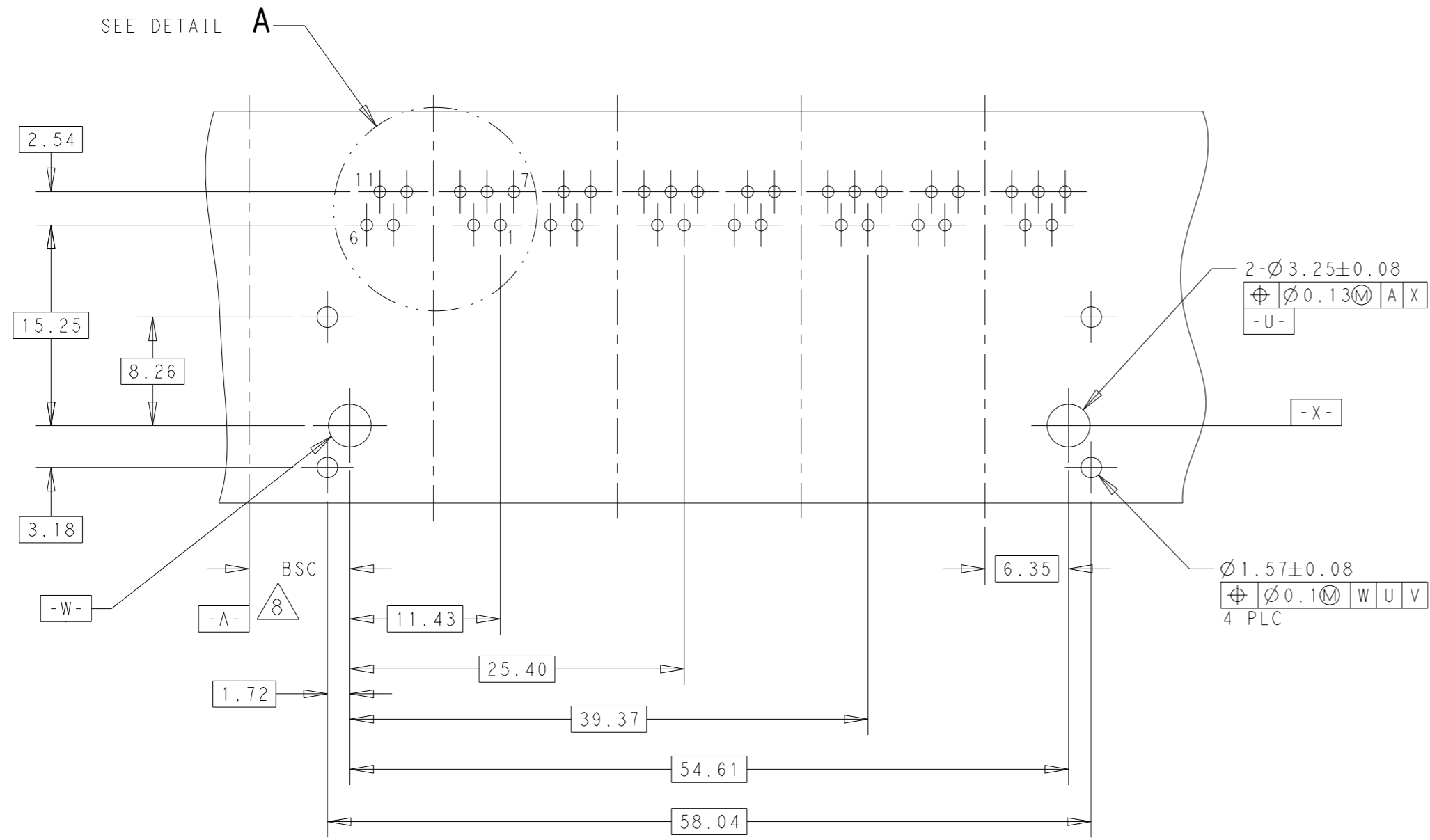
8 DATUM AND BASIC DIMENSION ESTABLISHED BY CUSTOMER.



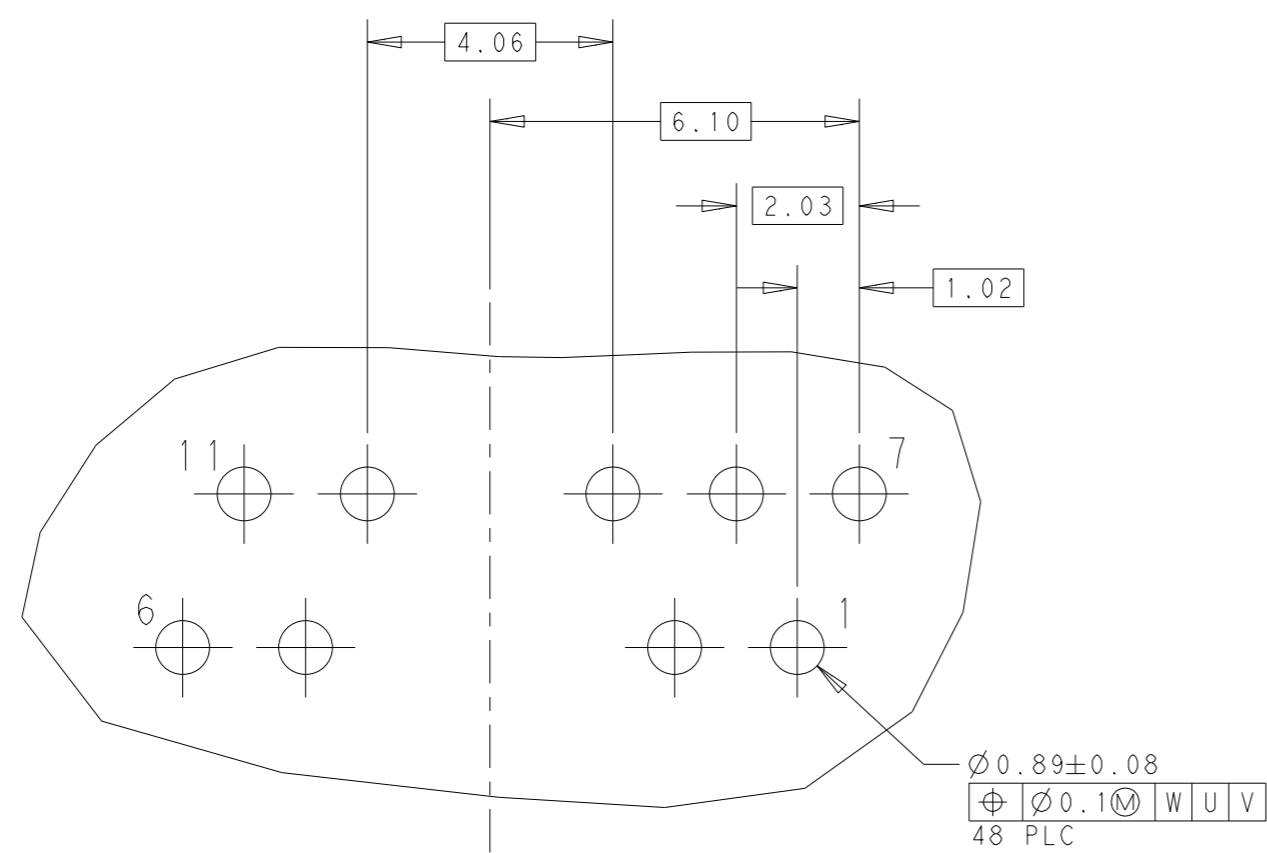
CONNECTOR ASSEMBLED TO PANEL AND PCB

1840586-1  
PART NUMBER

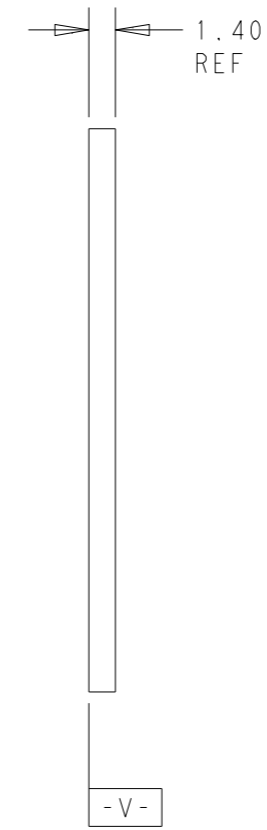
THIS DRAWING IS A CONTROLLED DOCUMENT.		DWN SUNNY HAO/ FRANK LIU 18APR2011	 <b>trp</b> CONNECTOR a bel group	DONGGUAN CHINA	
DIMENSIONS: mm		CHK TOWER YU 18APR2011		DESC 1X4 8V22 10/100 POE TAB DOWN LOW PROFILE W/O LED	
TOLERANCES UNLESS OTHERWISE SPECIFIED:		APVD KEITH ZHU 18APR2011	SIZE A2	CAGE CODE C-1840586	RESTRICTED TO CSI
0 PLC ± 1 PLC ±0.25 2 PLC ±0.25 3 PLC ±0.25 4 PLC ± ANGLES ±° APPLICATION SPEC		MODEL NAME MAGJACK GANG PoE	DRAWING NO C-1840586	SCALE NTS	SHEET 1 OF 2 REV D
PRODUCT SPEC 108-104004		RESTRICTED CUSTOMER DRAWING			



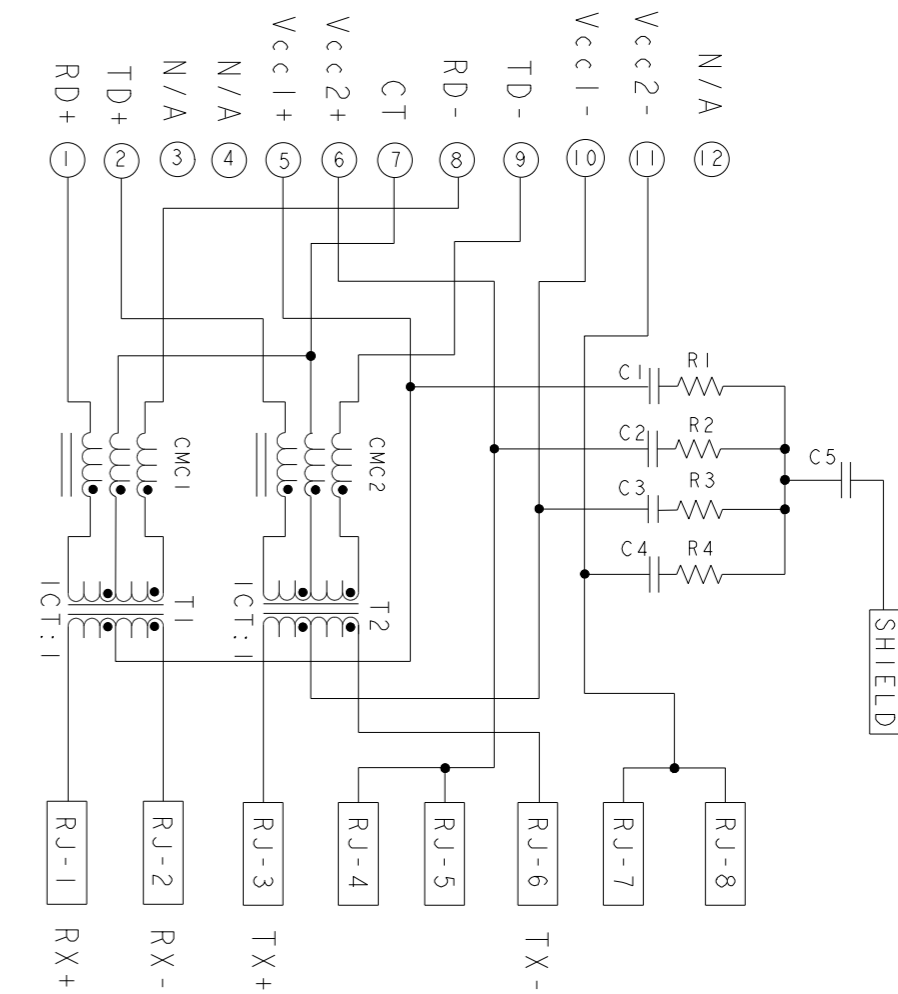
SUGGESTED PCB FOOTPRINT COMPONENT SIDE




DETAIL A  
SCALE 8:1



8V22 10/100 BASE-T PoE CIRCUIT  $\triangle$  3  $\triangle$  5



C1~C4=22nF, 100V CAPACITORS  
 C5=1000pF, 2kV CAPACITOR  
 R1~R4=75 Ohms, RESISTORS

THIS DRAWING IS A CONTROLLED DOCUMENT.		DWN SUNNY HAO/ 18APR2011	 <b>trp CONNECTOR</b> a bel group		DONGGUAN CHINA		
DIMENSIONS: mm		CHK TOWER YU 18APR2011			DESC 1X4 8V22 10/100 POE TAB DOWN LOW PROFILE W/O LED		RESTRICTED TO
TOLERANCES UNLESS OTHERWISE SPECIFIED:		APVD KEITH ZHU 18APR2011	MODEL NAME MAGJACK GANG PoE		SIZE A2	CAGE CODE C-1840586	DRAWING NO -
PRODUCT SPEC 108-104004		0 PLC $\pm$ 1 PLC $\pm$ 0.25 2 PLC $\pm$ 0.25 3 PLC $\pm$ 0.25 4 PLC $\pm$ ANGLES $\pm$ 1° APPLICATION SPEC -		RESTRICTED CUSTOMER DRAWING		SCALE NTS	SHEET 2 OF 2
						REV D	