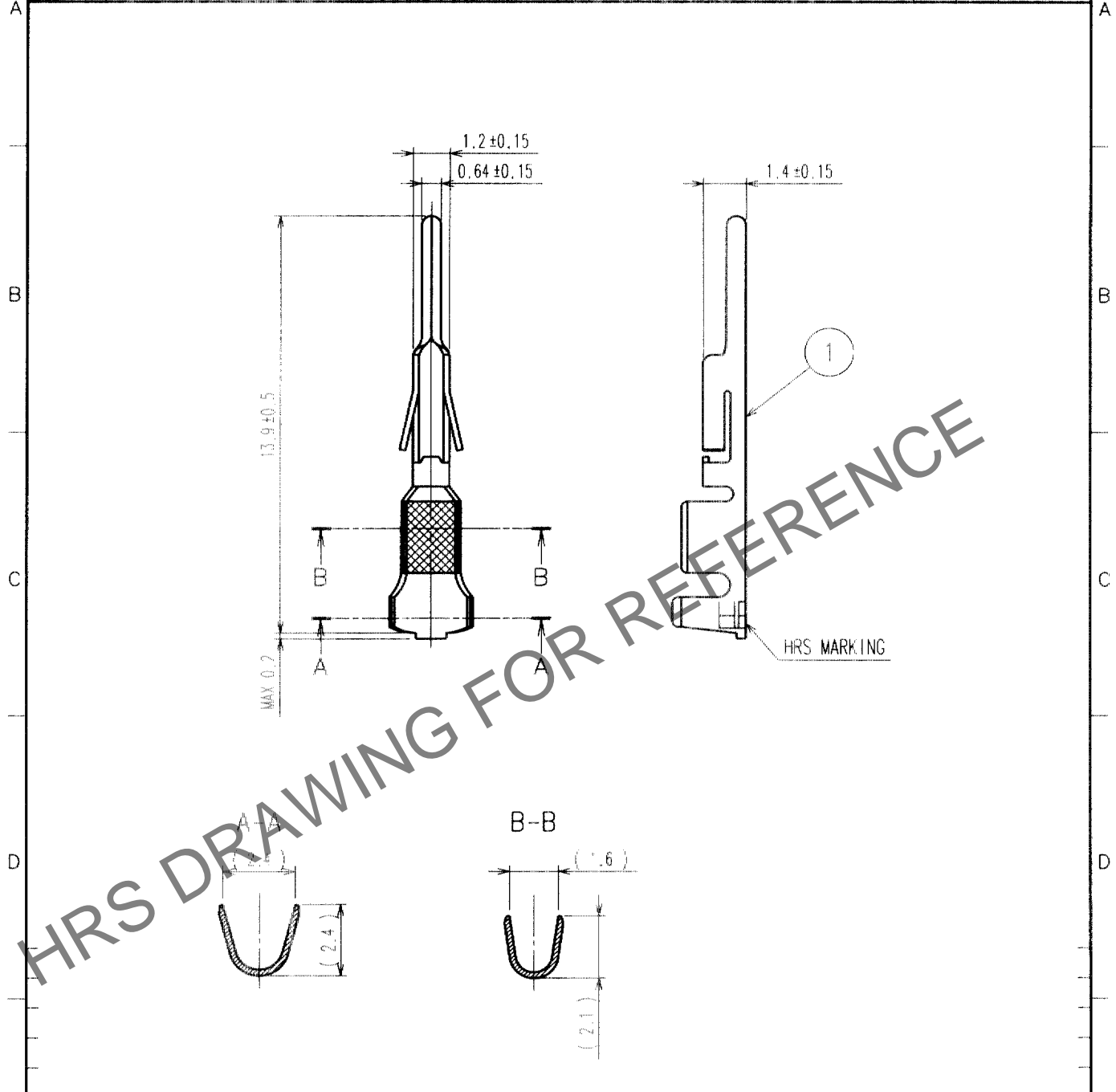


Jun.1.2024 Copyright 2024 HIROSE ELECTRIC CO., LTD. All Rights Reserved.
 In case of consideration for using Automotive equipment / device which demand high reliability, kindly contact our sales window correspondents.

1		2			3			4		
COUNT	DESCRIPTION OF REVISIONS	BY	CHKD	DATE	COUNT	DESCRIPTION OF REVISIONS	BY	CHKD	DATE	
△					△					
△					△					
△					△					



NOTE 1. APPLICABLE CABLE : AWG20-22

NO.	MATERIAL	FINISH, REMARKS	NO.	MATERIAL	FINISH, REMARKS
			1	PHOSPHOR BRONZE	TIN PLATED

CODE NO. (OLD)	DRAWN	DESIGNED	CHECKED	APPROVED	RELEASED
	S. Haro	W. Fukuchi	C. Hanami	K. Katayama	
	'99.11.10	'99.11.12	'99.11.12	'99.11.12	

	DRAWING NO.	PART NO.
	EDC4-020432	DF1B-2022PC
SACLE 5 : 1 UNITS mm	HIROSE ELECTRIC CO., LTD.	CODE NO. CL541-0260-8

TO

1/1