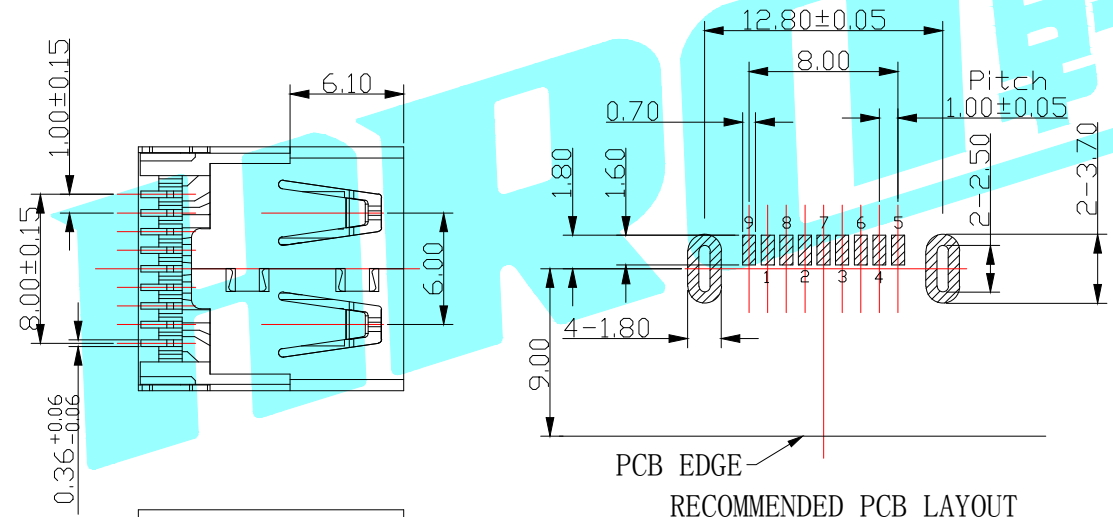
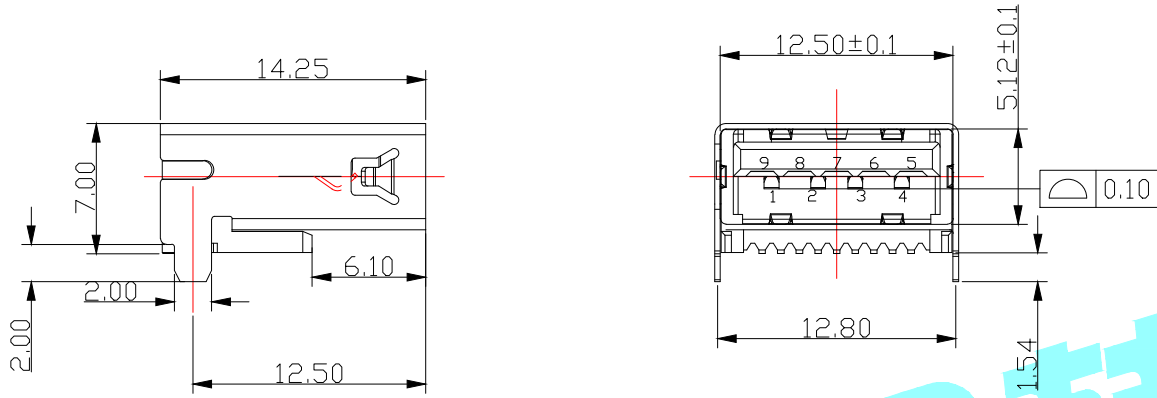
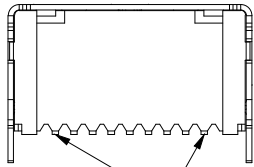
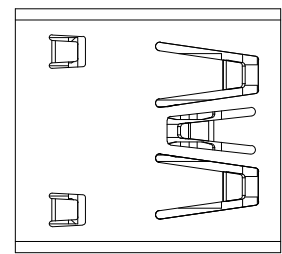


ROHS



RECOMMENDED PCB LAYOUT
TOLERANCE: ±0.05mm



Pin NUMBER	SIGNAL NAME
1	VBUS
2	D-
3	D+
4	GND
5	StdA_SSRX-
6	StdA_SSRX+
7	GND_DRAIN
8	StdA_SSTX-
9	StdA_SSTX+
Shell	Shield

NOTE:

1. MATERIAL:
 - 1.1 INSULATOR:HIGH TEMPERATURE PLASTIC
 - 1.2 CONTACT:BRONZE
 - 1.3 SHELL:BRASS & K7 & SPCC
2. ELECTRICAL CHARACTERISTICS:
 - 2.1 CONTACTRESISTANCE:30mΩ MAXIMUM
 - 2.2 CONTACT CURRENT RATING:1.5A
 - 2.3 DIELECTRIC WITHSTANDING VOLTAGE:100 V AC
 - 2.4 INSULATION RESISTANCE 100 MEGOHMS MIN
 - 2.5 OPERATING TEMPEROTURE:-40° C ~ 85° C
- 3 MECHANICAL CHARACTERISTICS:
 - 3.1 MATING FORCE:3.57kgf MAX
 - 3.2 UNMATED FORCE:0.82kgf MIN AFTER TEST
 - 3.3 DURABILITY MANDATORY:1500 CYCLES
4. PLATING
 - 4.1 TERMINAL:
 - 50u" MIN NICKEL ALL OVER
 - 80u"MIN Tin ON SOLDER AREA
 - (1~30)u"Au ON CONTACT AREA
 - 4.2 SHELL:100u"MIN. NICEL ALL OVER

APPROVALS		DATE	HRO 韓榮® ELECTRONICS CO.,LTD			
DRAWN	LIUCAN	2021.9.3	TITLE:	USB CONNECTOR		
CHECKED			PART NO.	U-A-39WD-W-1		
APPROVALS			UNIT: mm	SCALE: 1:1	PROJ:	
TOLERANCES ARE	30~以上 10~30 5~10 ~ 5	±0.30 ±0.20 ±0.15 ±0.10	ANGLE	DRAWING NO.		SHEET 1 OF 1

ECN NO.	REV.	DATE.	DESCRIPTION.	CHANGE.	CHECK.	APPRO.
	A		NEW			