

## Overview of the Sensor



The iVu Series Image Sensor is used to monitor parts for type, size, orientation, shape, and location. The package consists of lighting, sensor, lens, and display. Appropriate cables and mounting brackets can be ordered for each application. Additionally, other lenses, brackets, filters and external lights are available. Installation, setup and configuration can be done quickly without requiring a PC to configure the sensor.

### Features


- Three sensors in one package—a match sensor that determines whether a pattern on a label or part matches some reference pattern; an area sensor that detects whether a particular feature (or features) is present or not; and an area sensor with tools that adjust for motion
- No external PC required to configure the sensor
- USB 2.0 compliant host provided for easy updating and diagnostics
- Special image processing expertise is not required
- Integrated color touch screen display
- High speed processing

## Models

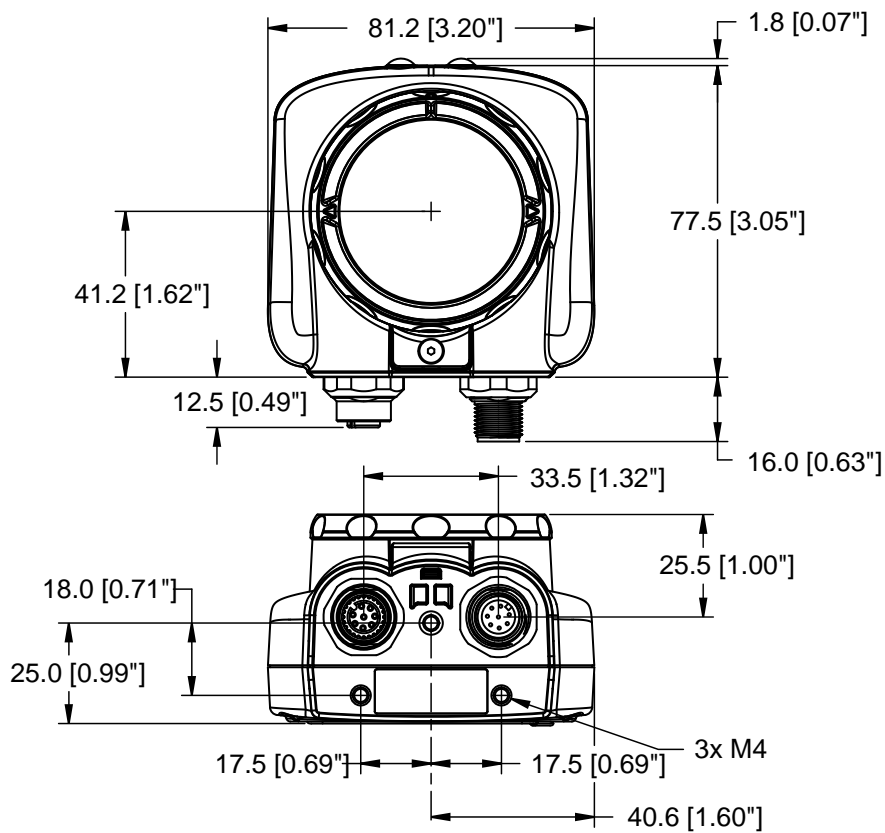
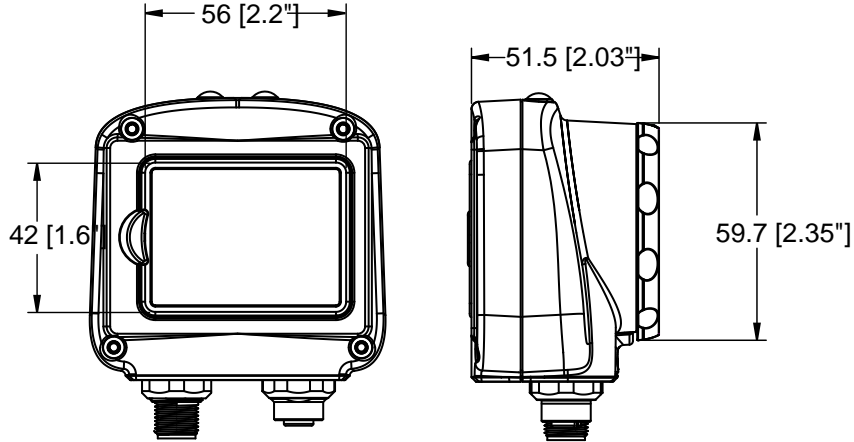
Ring Light Options	Lens Options				Output Type
	8 mm	12 mm	16 mm	25 mm	
None	IVUTGNX08	IVUTGNX12	IVUTGNX16	IVUTGNX25	NPN
	IVUTGPX08	IVUTGPX12	IVUTGPX16	IVUTGPX25	PNP
Red	IVUTGNR08	IVUTGNR12	IVUTGNR16	IVUTGNR25	NPN
	IVUTGPR08	IVUTGPR12	IVUTGPR16	IVUTGPR25	PNP
Blue	IVUTGNB08	IVUTGNB12	IVUTGNB16	IVUTGNB25	NPN
	IVUTGPB08	IVUTGPB12	IVUTGPB16	IVUTGPB25	PNP
Green	IVUTGNG08	IVUTGNG12	IVUTGNG16	IVUTGNG25	NPN
	IVUTGPG08	IVUTGPG12	IVUTGPG16	IVUTGPG25	PNP
IR	IVUTGNI08	IVUTGNI12	IVUTGNI16	IVUTGNI25	NPN
	IVUTGPI08	IVUTGPI12	IVUTGPI16	IVUTGPI25	PNP



## Sensor Specifications


Feature	Description
<b>Power Connection</b>	8-pin Euro-style (M12) male connector; accessory cable required for operation (see <a href="#">Power Cables</a> on page 4 ).
<b>USB 2.0 Host</b>	8-pin Euro-style (M12) female connector; optional USB cable required for operation of USB Thumb Drive (see <a href="#">USB Cables</a> on page 5).
<b>Power Requirements</b>	<b>Voltage:</b> 10-30V dc <b>Current:</b> 500 mA maximum (exclusive of I/O load)
<b>Output Configuration</b>	NPN or PNP determined by model
<b>Tools</b>	Match, Area, Area with Motion
<b>Demo Mode</b>	Full tool functionality on canned images
<b>Sensor Lock</b>	Optional password protection
<b>External Strobe Output</b>	+ 5V dc
<b>Integrated Ring Light</b>	Red, NIR, Green, Blue
<b>Output Rating</b>	150 mA
<b>Display</b>	68.5 mm (2.7") LCD Color Integrated Display 320 X 240 Transreflective
<b>Acquisition</b>	<b>Frames Per Second:</b> 100 max.
<b>Exposure Time</b>	0.1 to 1.049 s
<b>Imager</b>	1/3 inch CMOS 752 X 480 pixels; adjustable Field of View (FOV)
<b>Lens Mount</b>	M12 X 1 mm thread; micro video lens
<b>Construction</b>	Black Valox™ sensor housing; acrylic window <b>Weight:</b> Approximately .295 kg (10.4 oz.)
<b>Environmental Rating</b>	IP67
<b>Operating Conditions</b>	<b>Stable Ambient Temperature:</b> 0° to + 50° C (+32° to + 122° F) <b>Relative Humidity:</b> 95%, max. relative, non-condensing
<b>Certifications</b>	

**Dimensions**



## Cable Connections

The power and I/O cable for the iVu Series sensor is available in 2, 5, 9, and 15 m (6, 15, 30, 50') lengths. The 8-pin connector on the sensor is shown below (B). See the table below for details.

	Pin #	Wire Color	Description	Direction
	2	Brown	10-30V dc	Input
	7	Blue	Common (Signal Ground)	Input
	6	Pink	External Trigger	Input
	5	Gray	Remote Teach	Input
	1	White	Pass/Fail	Output
	8	Red	Ready	Output
	4	Yellow	Strobe Out (5V dc only)	Output
	3	Green	<i>Reserved</i>	Output (Do not connect)

## Power Cables

Model	Length	Description
MQDC2S-806	2 m (6')	8-pin cable, straight
MQDC2S-815	5 m (15')	
MQDC2S-830	9 m (30')	
MQDC2S-850	15 m (50')	
MQDC2S-806RA	2 m (6')	8-pin cable, right angle
MQDC2S-815RA	5 m (15')	
MQDC2S-830RA	9 m (30')	
MQDC2S-850RA	15 m (50')	

## USB Cables

Model	Length	Description
MQDEC-8005-USB	.15 m (6")	USB cable, straight
MQDEC-801-USB	.30 m (1')	
MQDEC-803-USB	.90 m (3')	
MQDEC-810-USB	3 m (10')	
MQDEC-8005RA-USB	.15 m (6")	USB cable, right angle
MQDEC-801RA-USB	.30 m (1')	
MQDEC-803RA-USB	.90 m (3')	
MQDEC-810RA-USB	3 m (10')	

## Lenses

Model	Lens Description
LMF08	8 mm lens
LMF12	12 mm lens
LMF16	16 mm lens
LMF25	25 mm lens

## Filters

Model	Description
FLTMR	Red filter kit
FLTMB	Blue filter kit
FLTMG	Green filter kit
FLTMI	IR Filter kit

**Brackets**

Model	Description	Mounting Bracket
<b>SMBIVURAL</b>	Right angle, left mounting bracket	
<b>SMBIVURAR</b>	Right angle, right mounting bracket	
<b>SMBIVUB</b>	Bottom mounting bracket kit	
<b>SMBIVUU</b>	U-shape mounting bracket kit (includes SMBIVUB)	



**Warranty:** Banner Engineering Corp. will repair or replace, free of charge, any product of its manufacture found to be defective at the time it is returned to the factory during the warranty period. This warranty does not cover damage or liability for the improper application of Banner products. This warranty is in lieu of any other warranty either expressed or implied.