

# FLKM 14-PA/GE/DI - Front adapter



2290038

<https://www.phoenixcontact.com/us/products/2290038>

Please be informed that the data shown in this PDF document is generated from our online catalog. Please find the complete data in the user documentation. Our general terms of use for downloads are valid.



VARIOFACE front adapter, for GE-FANUC series 90-30, 2 x 8 channels can be connected, digital input

## Your advantages

- Preassembled system cables are connected directly to I/O modules using the front adapters

## Commercial data

|                                      |                                |
|--------------------------------------|--------------------------------|
| Item number                          | 2290038                        |
| Packing unit                         | 5 pc                           |
| Minimum order quantity               | 1 pc                           |
| Note                                 | Made to order (non-returnable) |
| Sales key                            | C421                           |
| Product key                          | CK231G                         |
| Catalog page                         | Page 485 (C-5-2017)            |
| GTIN                                 | 4017918057923                  |
| Weight per piece (including packing) | 54.62 g                        |
| Weight per piece (excluding packing) | 41.344 g                       |
| Customs tariff number                | 85366990                       |
| Country of origin                    | DE                             |

# FLKM 14-PA/GE/DI - Front adapter



2290038

<https://www.phoenixcontact.com/us/products/2290038>

## Technical data

### Product properties

|                |               |
|----------------|---------------|
| Product type   | Front adapter |
| Product family | VARIOFACE     |

### Insulation characteristics: Air clearances and creepage distances

|                      |                       |
|----------------------|-----------------------|
| Insulation           | Functional insulation |
| Overvoltage category | II                    |
| Pollution degree     | 2                     |

### Electrical properties

|                                      |                       |
|--------------------------------------|-----------------------|
| Operating voltage (AC)               | ≤ 30 V AC             |
| Operating voltage (DC)               | ≤ 60 V DC             |
| Nominal operating mode               | 100% operating factor |
| Current (per branch)                 | ≤ 1 A                 |
| Current (Voltage supply via IDC/FLK) | ≤ 3 A                 |

### Air clearances and creepage distances

|                          |                    |
|--------------------------|--------------------|
| Rated insulation voltage | 63 V               |
| Rated surge voltage      | 0.6 kV (1.2/50 μs) |

### Supported controller GE-FANUC 90-30

|                   |              |
|-------------------|--------------|
| Suitable I/O card | IC693 MDL241 |
|                   | IC693 MDL634 |
|                   | IC693 MDL645 |
|                   | IC693 MDL646 |

### Connection data

#### Connection 1 (control level)

|                     |                    |
|---------------------|--------------------|
| Connection method   | Plug-in connection |
| Number of positions | 19                 |

#### Connection 2 (field level)

|                                  |                   |
|----------------------------------|-------------------|
| Connection in acc. with standard | IEC 60603-13      |
| Connection method                | IDC/FLK pin strip |
| Number of connections            | 2                 |
| Number of positions              | 14                |
| Insertion/withdrawal cycles      | > 50              |
| Pitch                            | 2.54 mm           |

#### Connection 3 (supply)

|                   |                  |
|-------------------|------------------|
| Connection method | Screw connection |
| Stripping length  | 7 mm             |
| Screw thread      | M3               |

# FLKM 14-PA/GE/DI - Front adapter



2290038

<https://www.phoenixcontact.com/us/products/2290038>

|   |  |
|---|--|
| Number of connections   | 1  |
| Number of positions   | 2  |
| Conductor cross section rigid   | 0.14 mm <sup>2</sup> ... 1.5 mm <sup>2</sup>                                   |
| Conductor cross-section rigid (2 conductors with same cross section)    | 0.08 mm <sup>2</sup> ... 0.5 mm <sup>2</sup>                                   |
| Conductor cross section flexible  | 0.14 mm <sup>2</sup> ... 1.5 mm <sup>2</sup>                                   |
|   | 0.25 mm <sup>2</sup> ... 1.5 mm <sup>2</sup> (Ferrule without plastic sleeve)  |
|   | 0.25 mm <sup>2</sup> ... 0.75 mm <sup>2</sup> (Ferrule with plastic sleeve)    |
| Conductor cross section flexible (2 conductors with same cross section) | 0.08 mm <sup>2</sup> ... 0.75 mm <sup>2</sup>                                  |
|   | 0.25 mm <sup>2</sup> ... 0.34 mm <sup>2</sup> (Ferrule without plastic sleeve) |
|   | 0.5 mm <sup>2</sup> ... 0.5 mm <sup>2</sup> (TWIN ferrule with plastic sleeve) |
| Conductor cross section AWG   | 28 ... 16  |
| Tightening torque   | 0.22 Nm ... 0.25 Nm  |
| Pitch   | 3.81 mm  |

## Environmental and real-life conditions

### Ambient conditions

|  |                  |
|--|------------------|
| Degree of protection (Module)                | IP20             |
| Degree of protection (Installation location) | ≥ IP54           |
| Ambient temperature (operation)              | -20 °C ... 50 °C |
| Ambient temperature (storage/transport)      | -20 °C ... 70 °C |
| Altitude                                     | ≤ 2000 m         |

## Standards and regulations

### Air clearances and creepage distances

|                       |                |
|-----------------------|----------------|
| Standards/regulations | EN IEC 60664-1 |
|-----------------------|----------------|

## Mounting

|                   |                  |
|-------------------|------------------|
| Mounting type     | Plug-in mounting |
| Mounting position | any              |

## Notes

|                    |  |
|--------------------|--|
| Notes on operation | For proper use, the specifications of the installation directive (see Downloads) must be observed. For applications or use with third-party products, the specifications, and the safety and warning instructions of the respective third-party manufacturer must also be met. |
|--------------------|--|

# FLKM 14-PA/GE/DI - Front adapter

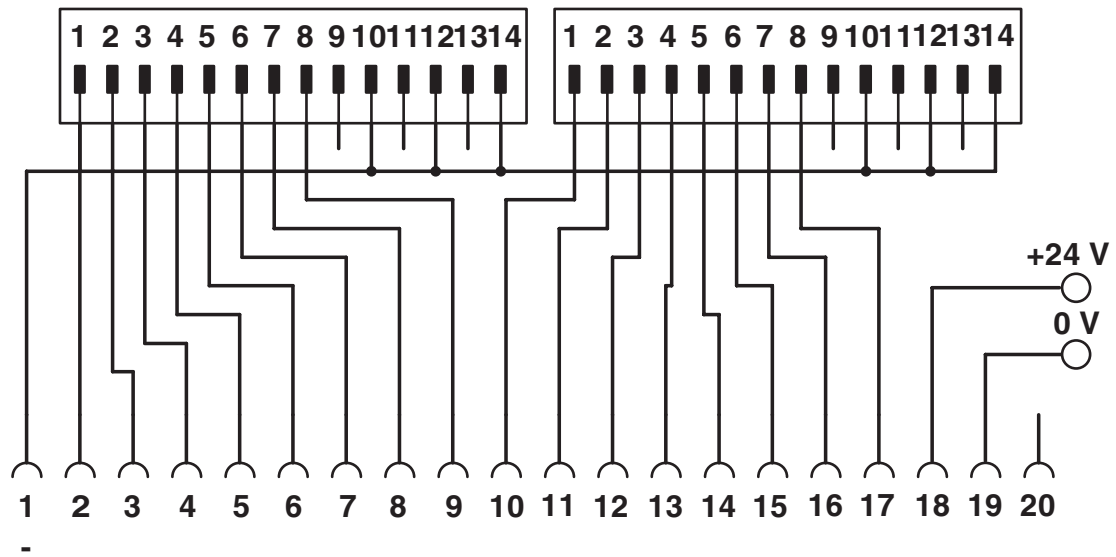


2290038

<https://www.phoenixcontact.com/us/products/2290038>

## Drawings

Circuit diagram



# FLKM 14-PA/GE/DI - Front adapter



2290038

<https://www.phoenixcontact.com/us/products/2290038>

## Approvals

To download certificates, visit the product detail page: <https://www.phoenixcontact.com/us/products/2290038>

|  |                       |                       |                   |                             |
|--|-----------------------|-----------------------|-------------------|-----------------------------|
|  <b>UL Recognized</b><br>Approval ID: E238705 | Nominal voltage $U_N$ | Nominal current $I_N$ | Cross section AWG | Cross section $\text{mm}^2$ |
|  | 125 V                 | 2 A                   | -                 | -                           |

# FLKM 14-PA/GE/DI - Front adapter



2290038

<https://www.phoenixcontact.com/us/products/2290038>

## Classifications

### ECLASS

|             |          |
|-------------|----------|
| ECLASS-11.0 | 27242292 |
| ECLASS-12.0 | 27242292 |
| ECLASS-13.0 | 27242292 |

### ETIM

|          |          |
|----------|----------|
| ETIM 9.0 | EC002584 |
|----------|----------|

### UNSPSC

|             |          |
|-------------|----------|
| UNSPSC 21.0 | 32151600 |
|-------------|----------|

# FLKM 14-PA/GE/DI - Front adapter



2290038

<https://www.phoenixcontact.com/us/products/2290038>

## Environmental product compliance

### EU RoHS

|   |                    |
|---|--------------------|
| Fulfills EU RoHS substance requirements | Yes, No exemptions |
|---|--------------------|

### China RoHS

|  |   |
|--|---|
| Environment friendly use period (EFUP) | EFUP-50   |
|  | An article-related China RoHS declaration table can be found in the download area for the respective article under "Manufacturer declaration". For all articles with EFUP-E, no China RoHS declaration table issued and required. |

### EU REACH SVHC

|                                     |                            |
|-------------------------------------|----------------------------|
| REACH candidate substance (CAS No.) | No substance above 0.1 wt% |
|-------------------------------------|----------------------------|

Phoenix Contact 2024 © - all rights reserved  
<https://www.phoenixcontact.com>

Phoenix Contact USA  
586 Fulling Mill Road  
Middletown, PA 17057, United States  
(+717) 944-1300  
[info@phoenixcon.com](mailto:info@phoenixcon.com)