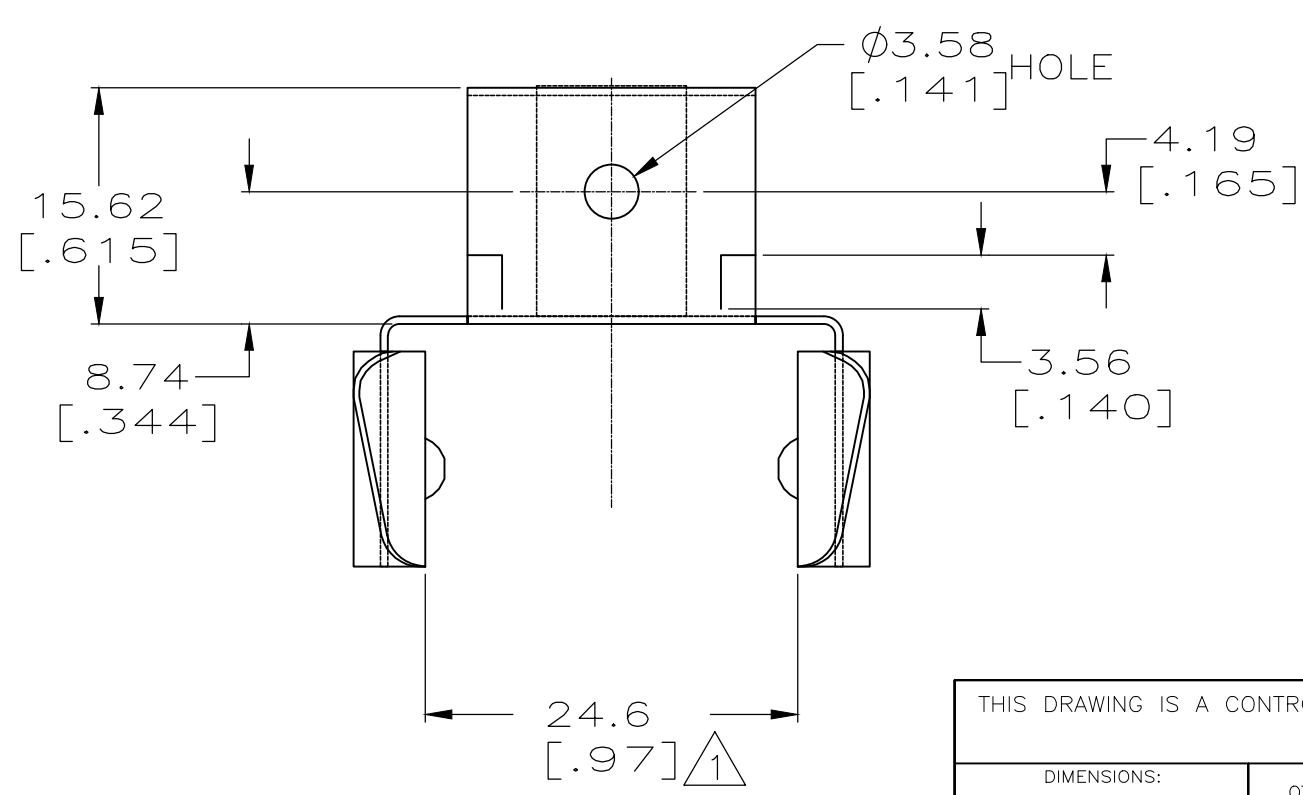
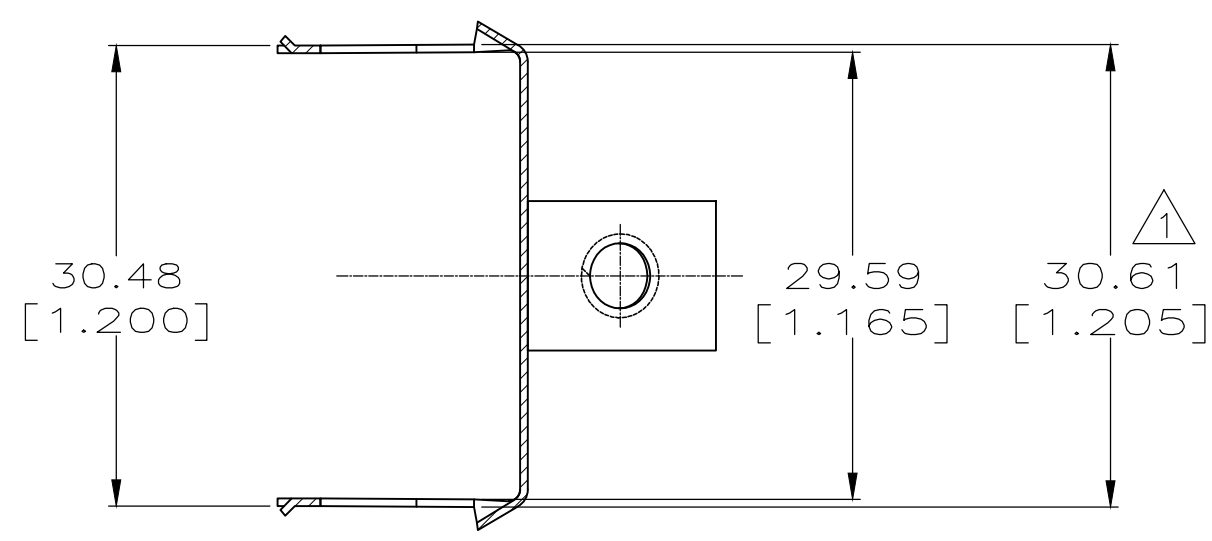
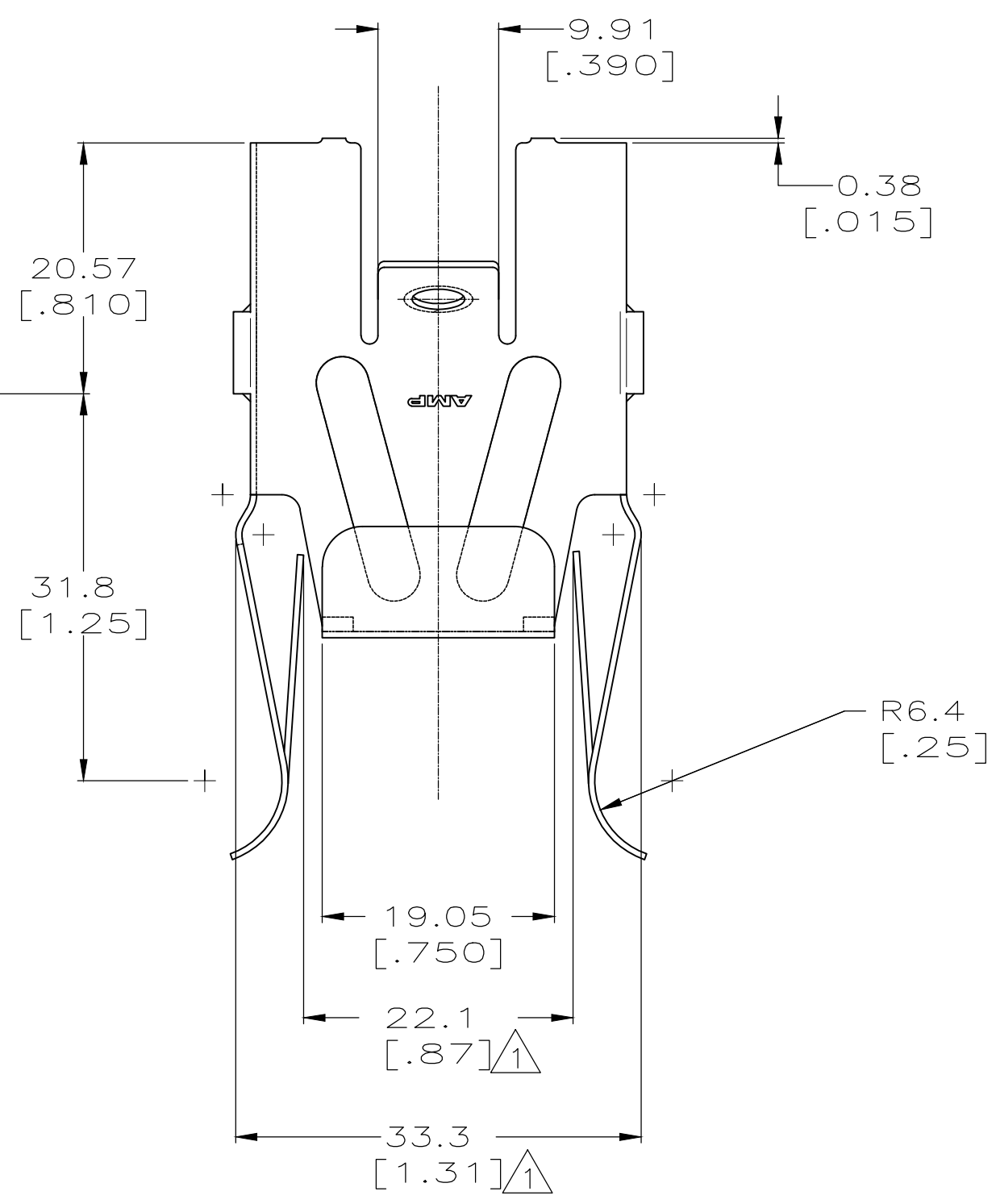
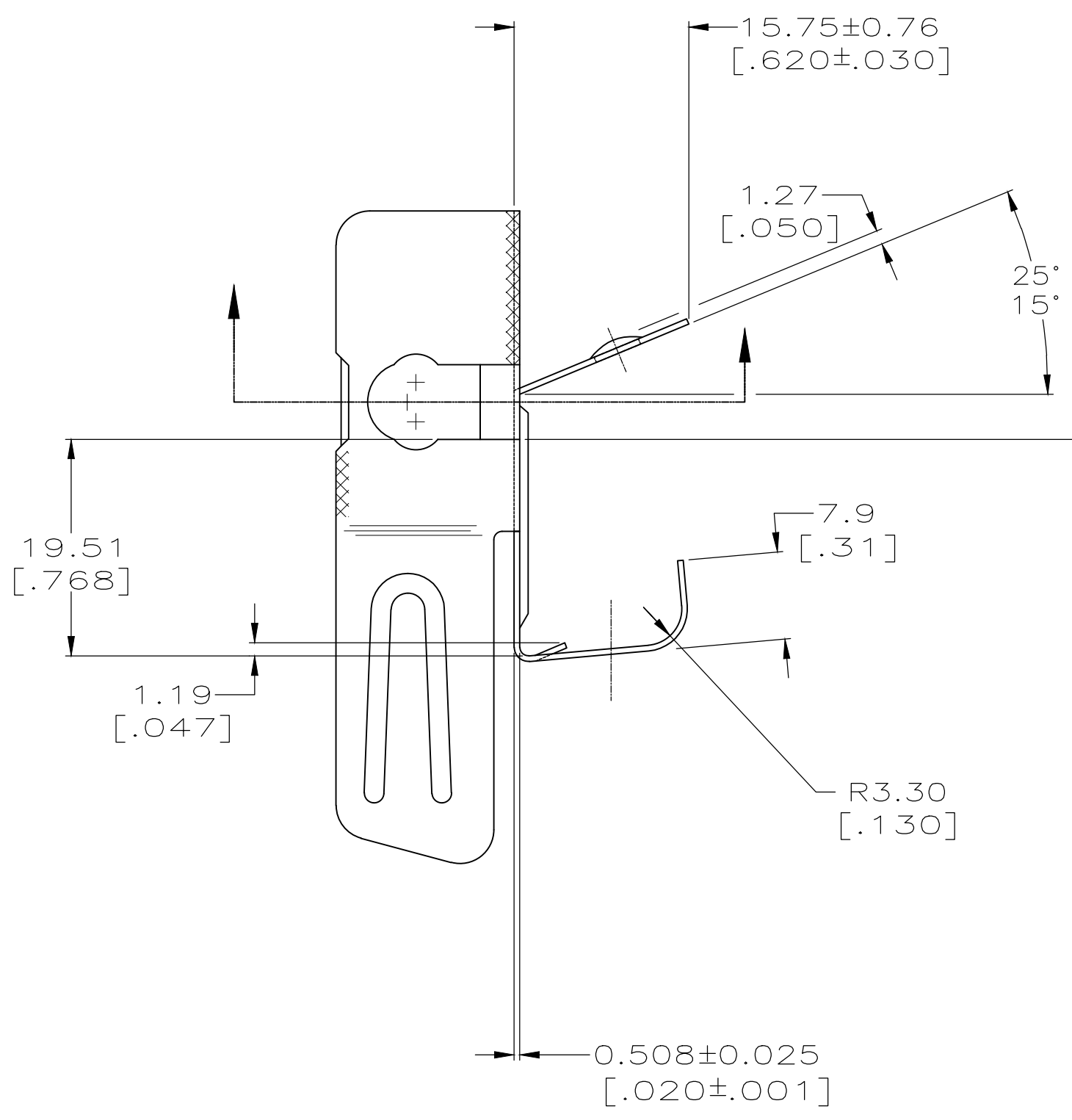


THIS DRAWING IS UNPUBLISHED. RELEASED FOR PUBLICATION
 © COPYRIGHT - TE Connectivity Ltd. ALL RIGHTS RESERVED.

| REVISIONS | | | | | |
|-----------|-----|---------------|-----------|-----|------|
| P | LTR | DESCRIPTION | DATE | DWN | APVD |
| AF1 | | ECR-19-007161 | 15MAY2019 | KY | TD |



- 1 DIMENSION TO BE CHECKED WHEN SIDES ARE PARRALLEL WITH [1.215] DIM.
- 2 10-32 MACHINE SCREW.
- 3 SUPERSEDE 640751 WITH REPLACEMENT 1969755-1

640751-1
 PART NO.

| | | | | | | | | | |
|--|--|-----------------------------------|--|-------------------|---------------------------------|---------------------|---------------|--------------|----------|
| THIS DRAWING IS A CONTROLLED DOCUMENT. | | DWN 14FEB2001 MICHAEL S. FEHER | | | NAME | | | | |
| DIMENSIONS: INCHES | | CHK 14FEB2001 DONALD DECKER | | | APVD 14FEB2001 DONALD DECKER | | RESTRICTED TO | | |
| TOLERANCES UNLESS OTHERWISE SPECIFIED: | | PRODUCT SPEC | | APPLICATION SPEC | | SIZE | CAGE CODE | DRAWING NO | REVISION |
| 0 PLC ± - | | 1 PLC ± - | | 2 PLC ± 0.8 [.03] | | 3 PLC ± 0.25 [.010] | | 4 PLC ± - | |
| MATERIAL 1/4HARD STAINLESS | | FINISH - | | WEIGHT 0.000000 | | SCALE 2:1 | | SHEET 1 OF 1 | |
| CUSTOMER DRAWING | | DRAWING NO C-640751 | | REV AF1 | | | | | |