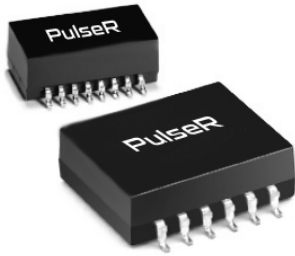


10/100BASE-TX SINGLE-PORT TRANSFORMER MODULES

Ruggedized



- R** Compliant with IEEE 802.3u & ANSI X3.263 standards
- R** 350µH OCL with 8mA D.C.bias
- R** Operating and storage temperature:
100B-1001F & 100B-1003: -40°C to +85°C
100B-1001FX & 100B-1003X: -55°C to +125°C
- R** Moisture Sensitivity Level: 3
- R** RoHS version withstands 245°C
- R** AS9100C Certified (Based on and including ISO 9001:2008)
- R** Maximum Isolation Volage: 1500 VAC

Electrical Specifications @ 25°C

Part Number ¹	Insertion Loss (dB MIN)	Return Loss (dB MAX)				Crosstalk (dB MAX)				DM to CM Rejection Ratio (dB MAX)		
	0.1-100 MHz	2-30 MHz	50 MHz	60 MHz	80 MHz	16 MHz	30 MHz	60 MHz	80 MHz	0.1-30 MHz	30-60 MHz	60-100 MHz
100B-1001	-1.00	-18	-14	-12	-12	-48	-44	-40	-38	TX: -50 RX: -50	TX: -40 RX: -40	TX: -30 RX: -30
100B-1001X	-1.10	-18	-14	-12	-10	-48	-44	-40	-38	TX: -45 RX: -45	TX: -40 RX: -40	TX: -38 RX: -33
100B-1001F	-1.00	-18	-14	-12	-12	-48	-44	-40	-38	TX: -50 RX: -50	TX: -40 RX: -40	TX: -30 RX: -30
100B-1001FX	-1.10	-18	-14	-12	-10	-48	-44	-40	-38	TX: -45 RX: -45	TX: -40 RX: -40	TX: -38 RX: -33
100B-1003	-1.00	-20	-14	-12	-12	-48	-45	-40	-38	TX: -50 RX: -50	TX: -40 RX: -40	TX: -35 RX: -35
100B-1003X	-1.00	-20	-14	-12	-12	-48	-45	-40	-38	TX: -45 RX: -45	TX: -40 RX: -40	TX: -35 RX: -35
100B-1003F	-1.00	-20	-14	-12	-12	-48	-45	-40	-38	TX: -50 RX: -50	TX: -40 RX: -40	TX: -35 RX: -35
100B-1003FX	-1.00	-20	-14	-12	-12	-48	-45	-40	-38	TX: -45 RX: -35	TX: -40 RX: -35	TX: -35 RX: -35

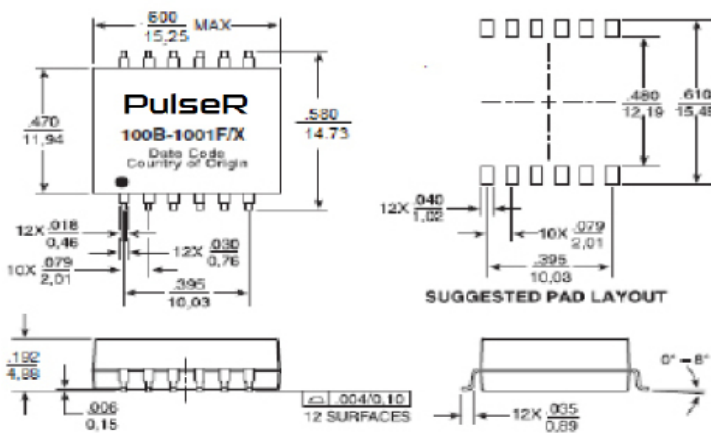
Notes:

- Standard Part have a Sn63/Pb37 Lead Finish (MSL:3)
- Add suffix "NL" for RoHS compliant version; i.e. 100B-1001F becomes 100B-1001FNL. NL Parts have 100% Sn Lead Finish (MSL: 4)
- For Tape&Reel Packaging, add "T" suffix at the end of the part number; i.e. 100B-1003FXNL T
- Maximum Hi-Pot 1800VAC/2500VDC for 6 Sec.

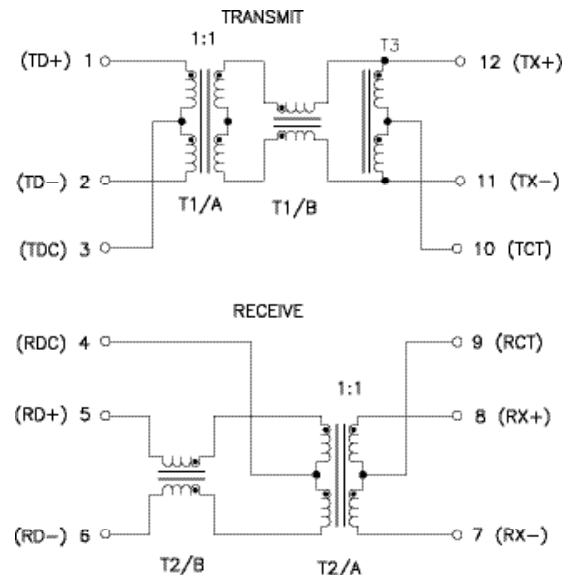
Mechanical

Schematic

100B-1001F/X



Weight 1.7 grams
Tape and Reel350/reel
Tray 30/tray



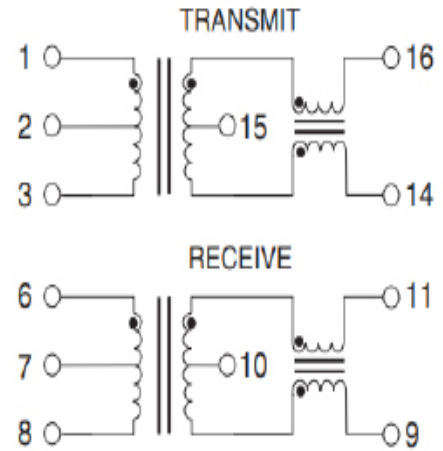
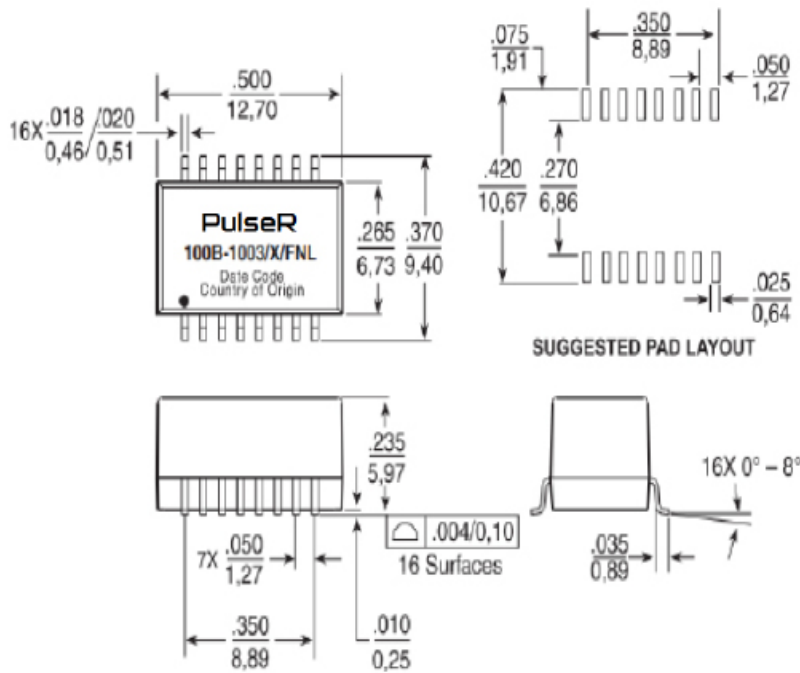
10/100BASE-TX SINGLE-PORT TRANSFORMER MODULES

Ruggedized

Mechanical

Schematic

100B-1003/X/FNL



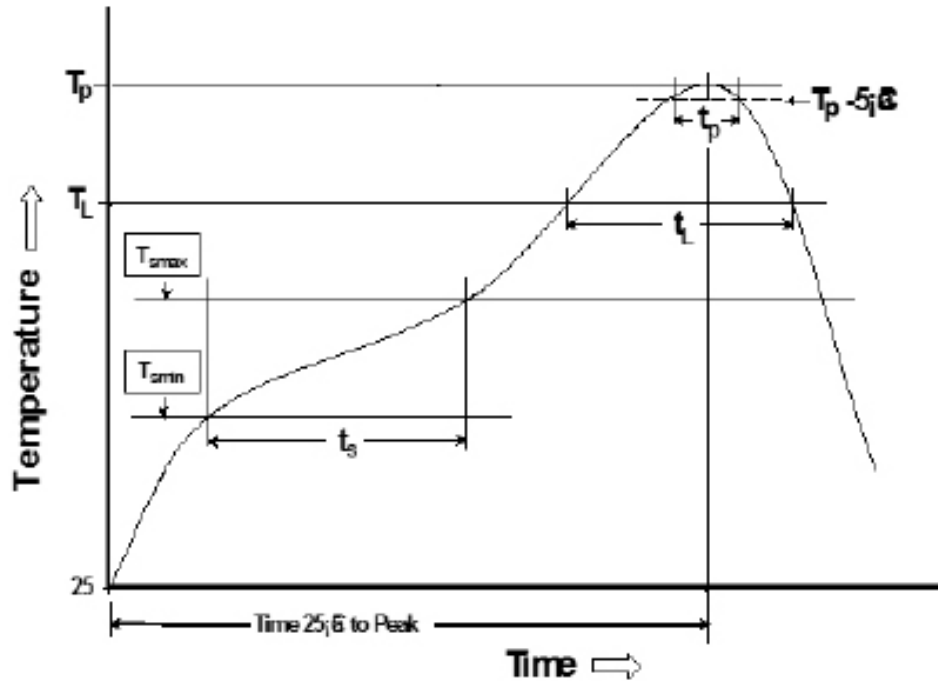
Weight.....1.16 grams

Dimensions: $\frac{\text{inches}}{\text{mm}}$

Tape and Reel.....600/reel

Unless Otherwise specified, all tolerances are $\pm .010$
0,25

Tin/Lead Recommended Reflow Profile (Based on J-STD-020D)



T_{SMIN} (°C)	T_{SMAX} (°C)	T_L (°C)	T_P (°C MAX)	t_s (s)	t_L (s)	t_p (s MAX)	Ramp-up rate (T_L to T_P)	Ramp-down rate (T_P to T_L)	Time 25°C to peak temperature (s MAX)
100	150	183	235	60-120	60-150	20	3°C/s MAX	6°C/s MAX	360

Notes:

1. All temperatures measured on the package leads.
2. Maximum times of reflow cycle: 2.

For More Information

**PulseR North America
Headquarters**

311 Sinclair Road,
Bristol, PA 19007-1524
U.S.A.

Tel: +1.215.781.6400
Fax: +1.215.781.6403

For Global Sales Representatives and Locations Visit:
<http://www.pulseruggedized.com>

Performance warranty of products offered on this data sheet is limited to the parameters specified. Data is subject to change without notice. Other brand and product names mentioned herein may be trademarks or registered trademarks of their respective owners. © Copyright, 2019. PulseR, LLC. All rights reserved.