

## Wet Process Sensor

E32-L11FP Head Unit


E32-L11FS/L12FS Head Unit

E3X-DA□□TG-S Amplifier Unit

## Stable Detection of Glass

## in Wet Processes

## Non-contact Operation Simplifies Mounting and Maintenance

 S Mark Certified  
(except for PNP output model)

Special Amplifier  
E3X-DA□□TG-S



Heat-resistant PVC/  
Fluororesin Model  
E32-L11FP

**/ Cleaning**

**/ Etching**

**/ Resist Developing**

**New Concept: New Algorithm "Tough Mode"**  
**Eliminates Interference from Water Droplets**

High resistance to liquid splatter for incredibly stable detection.

Even in misty  
environments!

4000 1000  
With glass

0 1000  
Without glass

SUS316L/Fluororesin Model  
E32-L11FS/L12FS

**/ Resist Stripping**

**/ Handles 85°C/70°C**

Note: E3X-DA□□TG-S in this catalog  
have been discontinued at the  
end of March 2017.



### Non-contact Detection

Detection is possible whether the Head Unit is installed vertically or horizontally.

Less maintenance is required because there are no mechanical parts.


Height adjustment is very easy because of the wide sensing area.

# Ordering Information

Type	Appearance (mm) *	Sensing distance (mm)	Standard object	Min. bending radius (mm)	Features	Model
Limited-reflective		8 to 20 mm from the lens tip (recommended sensing distance: 11 mm) 19 to 31 mm from the center of mounting hole A (recommended sensing distance: 22 mm) (See the dimension drawings.)	Glass (t = 0.7 mm)	R40	Materials: Heat-resistant PVC and fluororesin IP67 at 60°C	E32-L11FP 2M
						E32-L11FP 5M
		8 to 20 mm from the lens tip (recommended sensing distance: 11 mm) 32 to 44 mm from the center of mounting hole A (recommended sensing distance: 35 mm) (See the dimension drawings.)			Materials: SUS316L and fluororesin IP67 at 85°C	E32-L11FS 2M
					E32-L11FS 5M	
		Materials: SUS316L and fluororesin IP67 at 70°C			E32-L12FS 2M	
					E32-L12FS 5M	

\* (Free-cut) Indicates models that allow free cutting.

## Amplifier Units

Appearance	Connection method	Functions	Model	
			NPN output	PNP output
	Pre-wired model (2 m)	Tough Mode Super Tough Mode ON-delay and OFF-delay timer	E3X-DA11TG-S 2M *	E3X-DA41TG-S 2M *

\* Production was discontinued.

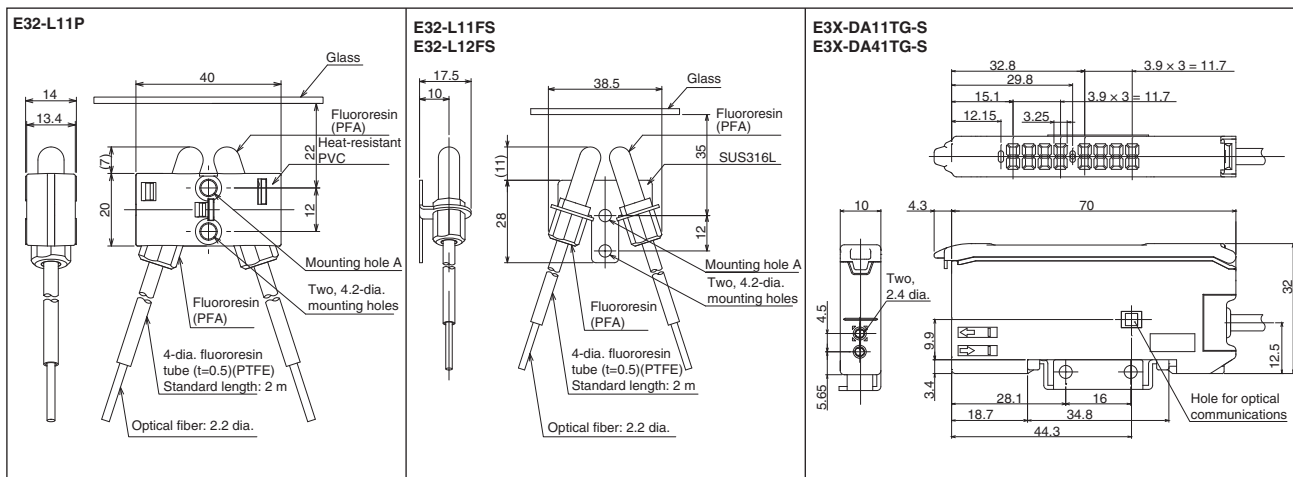
# Ratings and Specifications

Item	Model Output	E3X-DA11TG-S	E3X-DA41TG-S
		NPN open-collector output	PNP open-collector output
Power supply voltage		12 to 24 VDC ±10%, ripple (p-p) 10% max.	
Power consumption		960 mW max. (current consumption: 40 mA max. at power supply voltage of 24 VDC)	
Control output		Load power supply voltage: 26.4 VDC, load current: 50 mA max.; residual voltage: 1 V max.	
Response time		Tough Mode (TG): Operate/reset in 16 ms each, Super Tough Mode (STG): Operate/reset in 64 ms each Standard Mode (STND): Operate/reset in 1 ms each, High-resolution Mode (HRES) Operate/reset in 4 ms each	
Timer function		ON-delay/OFF-delay timer, OFF-delay timer, ON-delay timer, one-shot timer	

Note 1: The factory settings are as follows: Tough Mode with an ON-delay/OFF-delay timer.  
2: Be sure to check the chemicals and sprays used in the ambient environment before using the Wet Sensor.

# Dimensions

(Unit: mm)



This document provides information mainly for selecting suitable models. Please read Instruction Sheet carefully for information that the user must understand and accept before purchase, including information on warranty, limitations of liability, and precautions.

**OMRON Corporation**  
Industrial Automation Company  
Sensing Devices Division H.Q.  
Industrial Sensors Division  
Shiokoji Horikawa, Shimogyo-ku,  
Kyoto, 600-8530 Japan  
Tel: (81)75-344-7022/Fax: (81)75-344-7107

**Regional Headquarters**  
**OMRON EUROPE B.V.**  
Sensor Business Unit  
Carl-Benz-Str. 4, D-71154 Nufringen,  
Germany  
Tel: (49) 7032-811-0/Fax: (49) 7032-811-199

**OMRON ELECTRONICS LLC**  
One Commerce Drive Schaumburg,  
IL 60173-5302 U.S.A.  
Tel: (1) 847-843-7900/Fax: (1) 847-843-7787

**OMRON ASIA PACIFIC PTE. LTD.**  
No. 438A Alexandra Road # 05-05/08 (Lobby 2),  
Alexandra Technopark, Singapore 119967  
Tel: (65) 6835-3011/Fax: (65) 6835-2711

**OMRON (CHINA) CO., LTD.**  
Room 2211, Bank of China Tower,  
200 Yin Cheng Zhong Road,  
PuDong New Area, Shanghai, 200120, China  
Tel: (86) 21-5037-2222/Fax: (86) 21-5037-2200

## Authorized Distributor:

© OMRON Corporation 2008-2018 All Rights Reserved.  
In the interest of product improvement,  
specifications are subject to change without notice.  
CSM\_1\_1\_0717  
Cat. No. E392-E1-02