

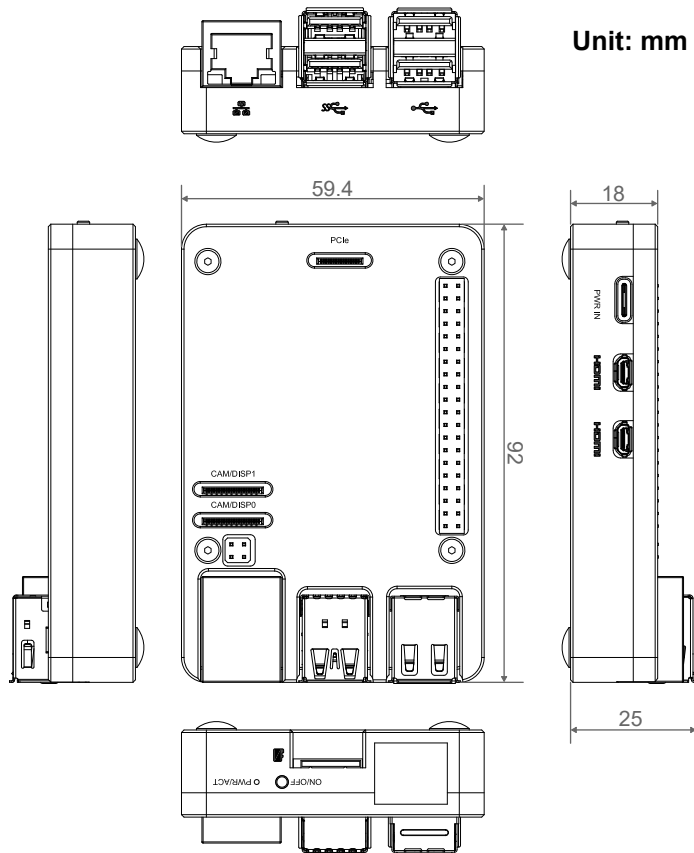
# ED-Pi5Case-B(S/B)

## Raspberry Pi 5 Passive Cooling Aluminum CNC Box

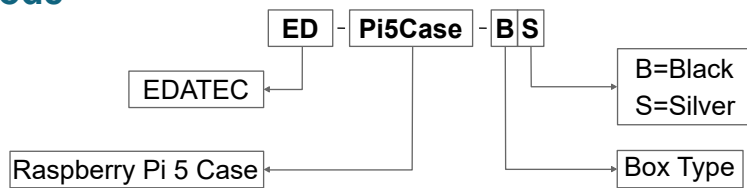
- ◆ High quality and beautiful case by aluminum CNC cut, oxidized surface finish
- ◆ Both top and bottom case provide passive cooling for Raspberry Pi 5 though thermal pads & aluminum body
- ◆ Excellent cooling performance can keep CPU, PMU and wireless module cool, and the CPU temperature can be reduced by up to 20°C~25°C
- ◆ Strong WiFi/BT wireless connectivity with PC semi-transparent wireless window
- ◆ Main interfaces are accessible
- ◆ Available in various colors including silver and black



### Dimensions



## Ordering Code



### Example

P/N: **ED-Pi5Case-BS**

Configuration: Silver Raspberry Pi 5 Passive Cooling Aluminum CNC Box.

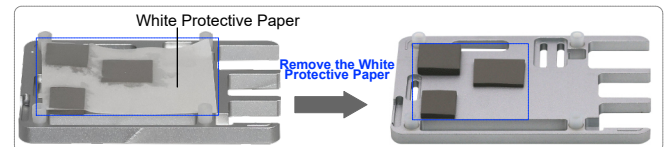
## Packing List

- 1 x ED-Pi5Case-B(S/B) Top Cover
- 1 x ED-Pi5Case-B(S/B) Bottom Cover(1 x PC cover and 4 x pads have been installed)
- 1 x Accessory Set(With 4 x M2.5\*11 screws, 1 x 1.5mm allen key and 1 x button)

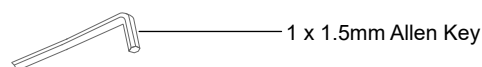
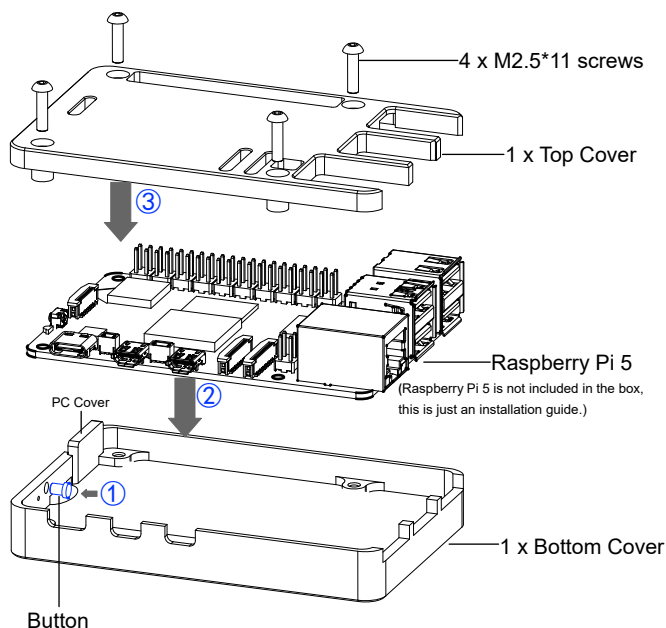
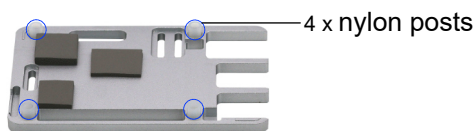
## Installation

### Note:

- Before you start installing your Raspberry Pi 5, please remove the White Protective Paper from thermal silicone in the case.



- Before you start installing your Raspberry Pi 5, please check whether the tops of 4 nylon posts in the top cover are on the same level. If there are some tops that are higher than others, please press the higher tops into the mounting holes.



- ① Get the **button** from **Accessory Set**, then insert it from inside **Bottom Cover** to the reserved hole.
- ② Align **Raspberry Pi 5** with the reserved holes on **Bottom Cover** and install it downward onto **Bottom Cover**.
- ③ Put **Top Cover** down to cover **Raspberry Pi 5**, and insert 4 M2.5 screws into the holes. Then use the allen key to tighten the screws to fix **Top Cover**, **Raspberry Pi 5** and **Bottom Cover**.