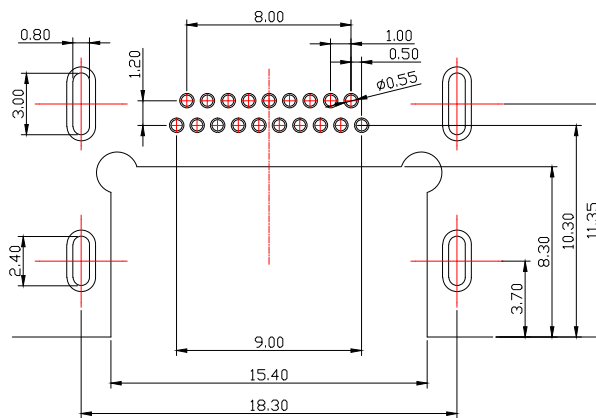
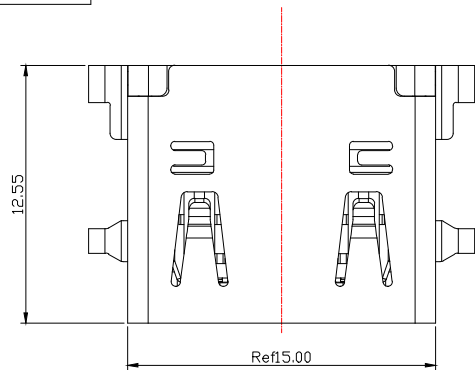
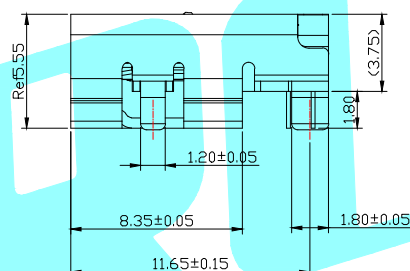
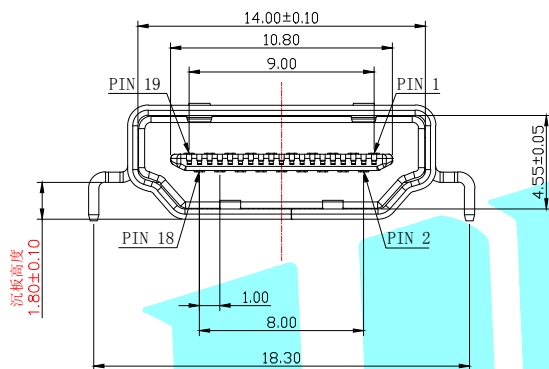


# ROHS



RECOMMEND P.C.B LAYOUT (COMPONENT SIDE)  
TOLERANCE FOR PCB LAYOUT IS  $\pm 0.05$

Type A pin	Signal Name
1	TMDS Data2+
2	TMDS Data2 Shield
3	TMDS Data2-
4	TMDS Data1+
5	TMDS Data1 Shield
6	TMDS Data1-
7	TMDS Data0+
8	TMDS Data0 Shield
9	TMDS Data0-
10	TMDS Clock+
11	TMDS Clock Shield
12	TMDS Clock-
13	CEC
14	Utility
15	SCL
16	SDA
17	DDC/CEC Ground
18	+5V Power
19	Hot Plug Detect



NOTES:

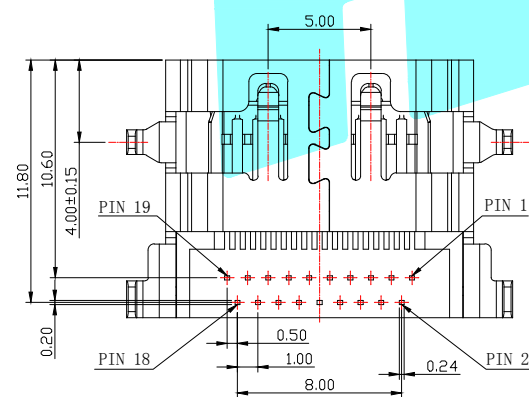
1. MATERIAL:

HOUSING: Thermoplastic (UL94V-0); BLACK  
CONTACT: Copper alloy, Gold plated on contact area.  
SHELL: Copper alloy, Nickel plated overall.

2. Rating:

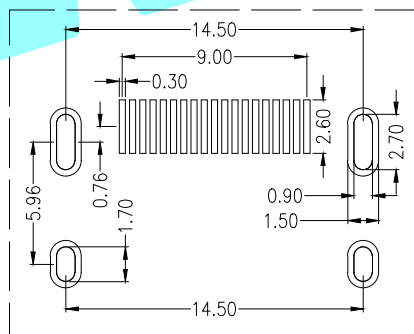
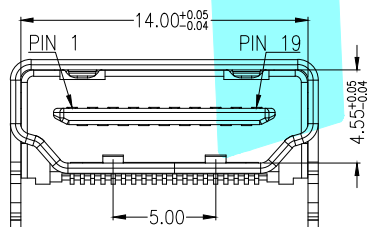
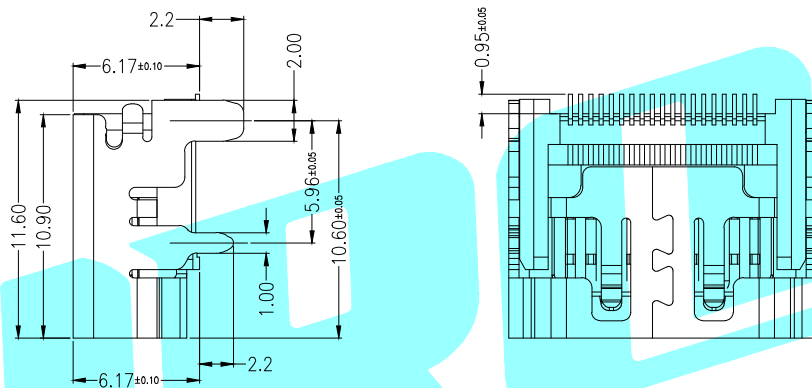
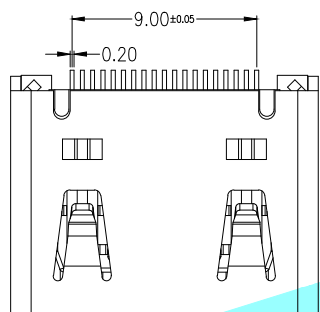
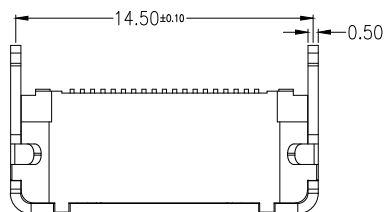
Insulation Resistance (EIA-364-21) : 100 MΩ MIN.  
AT 500V/DC FOR 1 MINUTE.

Contact resistance (EIA-364-06) 30 mΩ MAX.  
Dielectric withstanding (EIA-364-20) NO DISCHARGE,  
FLASHOVER OR BREAKDOWN  
AT 500 V/AC 1MINUTE.



APPROVALS		DATE				
DRAWN	LIUCAN	2021.6.17				
CHECKED				PART NO.	U-C-19DD-W-1	
APPROVALS				UNIT: mm	SCALE: 1:1	PROJ:
TOLERANCES ARE		30~以上	±0.30	ANGLE	DRAWING NO.	SHEET 1 OF 1
		10~30	±0.25			
		5~10	±0.20			
		~ 5	±0.15			

ECN NO.	REV.	DATE.	DESCRIPTION.	CHANGE.	CHECK.	APPRO.
	A		NEW			



RECOMMENDED P.C.B HOLE LAYOUT  
COMPONENT SIDE VIEW(TOLERANCE: +/-0.05)

Type A pin	Signal Name
1	TMDS Data2+
2	TMDS Data2 Shield
3	TMDS Data2-
4	TMDS Data1+
5	TMDS Data1 Shield
6	TMDS Data1-
7	TMDS Data0+
8	TMDS Data0 Shield
9	TMDS Data0-
10	TMDS Clock+
11	TMDS Clock Shield
12	TMDS Clock-
13	CEC
14	Utility
15	SCL
16	SDA
17	DDC/CEC Ground
18	+5V Power
19	Hot Plug Detect

NOTES:

1.MATERIAL:

HOUSING:LCP,UL94V-0; COLOR; BLACK  
CONTACT: C2680  
SHELL: SPCC

2.PLATING:

2.1 CONTACT: GOLD PLATING ON CONTACT AREA AND  
MATTE TIN 100u"Min ON  
SOLDER AREA  
OVER 50u" NICKEL UNDERPLATING  
2.2 SHELL: 50u" NICKEL PLATING OVER ALL

3.Rating:

Insulation Resistance (EIA-364-21) :100 MΩ MIN.  
AT 500V/DC FOR 1 MINUTE.  
Contact resistance (EIA-364-06) 30 mΩ MAX.  
Dielectric withstanding (EIA-364-20) NO DISCHARGE,  
FLASHOVER OR BREAKDOWN  
AT 500 V/AC 1MINUTE.

APPROVALS		DATE		 ELECTRONICS CO.,LTD		
DRAWN	LIUCAN	2021.4.15				
CHECKED				PART NO.	U-F-19DD-W-1	
APPROVALS				UNIT: mm	SCALE: 1:1	PROJ:
TOLERANCES ARE		30~以上	±0.30	ANGLE	DRAWING NO.	SHEET 1 OF 1
		10~30	±0.25			
		5~10	±0.20			
		~ 5	±0.15			

ECN NO.	REV.	DATE.	DESCRIPTION.	CHANGE.	CHECK.	APPRO.
	A		NEW			