

PLC-RSC-230UC/21-21 - Relay module



2967099

<https://www.phoenixcontact.com/us/products/2967099>

Please be informed that the data shown in this PDF document is generated from our online catalog. Please find the complete data in the user documentation. Our general terms of use for downloads are valid.



PLC-INTERFACE, consisting of basic terminal block PLC-BSC.../21 with screw connection and plug-in miniature relay with power contact, for assembly on DIN rail NS 35/7,5, 2 changeover contacts, input voltage 230 V AC/220 V DC

Your advantages

- Slim design
- Efficient connection to system cabling using V8 adapter
- Safe isolation between coil and contact side
- RT III sealed relay
- Functional plug-in bridges
- Integrated input circuit and interference suppression circuit

Commercial data

| | |
|--------------------------------------|---------------------|
| Item number | 2967099 |
| Packing unit | 10 pc |
| Minimum order quantity | 10 pc |
| Sales key | C461 |
| Product key | CK6238 |
| Catalog page | Page 366 (C-5-2019) |
| GTIN | 4017918156503 |
| Weight per piece (including packing) | 77 g |
| Weight per piece (excluding packing) | 72.8 g |
| Customs tariff number | 85364900 |
| Country of origin | DE |

PLC-RSC-230UC/21-21 - Relay module



2967099

<https://www.phoenixcontact.com/us/products/2967099>

Technical data

Product properties

| | |
|-------------------------|---------------------------|
| Product type | Relay Module |
| Product family | PLC-INTERFACE |
| Application | Universal |
| Operating mode | 100% operating factor |
| Mechanical service life | 3x 10 ⁷ cycles |

Data management status

| | |
|------------------------------|------------|
| Date of last data management | 07.08.2024 |
| Article revision | 11 |

Insulation characteristics

| | |
|----------------------|---------------------------------------------|
| Insulation | Safe isolation: Control side / contact side |
| Overvoltage category | III |
| Pollution degree | 3 |

Electrical properties

| | |
|------------------------------------------------------|------------------------------------------------------------------|
| Maximum power dissipation for nominal condition | 1.04 W |
| Test voltage (Winding/contact) | 4 kV AC (50 Hz, 1 min., winding/contact) |
| Test voltage (Changeover contact/changeover contact) | 2.5 kV AC (50 Hz, 1 min., changeover contact/changeover contact) |
| Rated surge voltage | 6 kV |

Input data

Coil side

| | |
|------------------------------------------------------|------------------------------------|
| Nominal input voltage U_N | 230 V AC |
| | 220 V DC |
| Input voltage range | 179.4 V AC ... 264.5 V AC (20 °C) |
| | 171.6 V DC ... 264 V DC (20 °C) |
| Nominal voltage (plugged-in electromechanical relay) | 110 V DC |
| Drive and function | monostable |
| Drive (polarity) | polarized |
| Typical input current at U_N | 4.5 mA (at $U_N = 230$ V AC) |
| | 4.3 mA (at $U_N = 220$ V DC) |
| Typical response time | 7 ms |
| Typical release time | 10 ms |
| Protective circuit | Bridge rectifier; Bridge rectifier |
| Operating voltage display | Yellow LED |

Output data

Switching

| | |
|------------------------|-----------------------|
| Contact switching type | 2 changeover contacts |
|------------------------|-----------------------|

PLC-RSC-230UC/21-21 - Relay module



2967099

<https://www.phoenixcontact.com/us/products/2967099>

| | |
|---------------------------------------|-----------------------------------------------------------------------------------------------------------------------------------------------------------------------------------------------------------------------------------------------|
| Type of switch contact | Single contact |
| Contact material | AgNi |
| Maximum switching voltage | 250 V AC/DC (The separating plate PLC-ATP should be installed for voltages larger than 250 V (L1, L2, L3) between identical terminal blocks in adjacent modules. Potential bridging is then carried out with FBST 8-PLC... or ...FBST 500...) |
| Minimum switching voltage | 5 V AC/DC (10 mA) |
| Limiting continuous current | 6 A |
| Maximum inrush current | 15 A (300 ms) |
| Min. switching current | 10 mA (5 V) |
| Interrupting rating (ohmic load) max. | 140 W (at 24 V DC) 85 W (at 48 V DC) 60 W (at 60 V DC) 44 W (at 110 V DC) 60 W (at 220 V DC) 1500 VA (for 250 V AC) |
| Switching capacity | 2 A (at 24 V, DC13) 3 A (at 24 V, AC15) 3 A (at 120 V, AC15) 0.2 A (at 250 V, DC13) 3 A (at 250 V, AC15) |

Connection data

| | |
|----------------------------------|-------------------------------------------------------------------------------------------------------------------------------------------------------------------------------|
| Connection method | Screw connection |
| Stripping length | 8 mm |
| Screw thread | M3 |
| Conductor cross section rigid | 0.14 mm ² ... 2.5 mm ² |
| Conductor cross section flexible | 0.14 mm ² ... 2.5 mm ² 0.2 mm ² ... 2.5 mm ² (Single ferrule) 2x 0.5 mm ² ... 1.5 mm ² (TWIN ferrule) |
| Conductor cross section AWG | 26 ... 14 |
| Tightening torque | 0.6 Nm ... 0.8 Nm |

Dimensions

| | |
|--------|-------|
| Width | 14 mm |
| Height | 80 mm |
| Depth | 94 mm |

Material specifications

| | |
|----------------------------------------|-----------------|
| Color | gray (RAL 7042) |
| Flammability rating according to UL 94 | V0 (Housing) |

Environmental and real-life conditions

Ambient conditions

| | |
|------------------------------|----------------|
| Degree of protection (Relay) | RT III (Relay) |
|------------------------------|----------------|

PLC-RSC-230UC/21-21 - Relay module



2967099

<https://www.phoenixcontact.com/us/products/2967099>

| | |
|-----------------------------------------|-------------------|
| Degree of protection (Relay base) | IP20 (Relay base) |
| Ambient temperature (operation) | -40 °C ... 55 °C |
| Ambient temperature (storage/transport) | -40 °C ... 85 °C |

Approvals

CE

| | |
|-------------|--------------|
| Certificate | CE-compliant |
|-------------|--------------|

UKCA

| | |
|-------------|----------------|
| Certificate | UKCA-compliant |
|-------------|----------------|

Shipbuilding approval

| | |
|-------------|------------|
| Certificate | TAE0000196 |
|-------------|------------|

Corrosive gas test

| | |
|----------------|----------------------------|
| Identification | ISA-S71.04. G3 Harsh Group |
| | EN 60068-2-60 |

DNV GL data

| | |
|-------------|-----------------------------------------------------------------------------------------|
| Temperature | D |
| Humidity | A |
| Vibration | B/C |
| EMC | B |
| Enclosure | Required protection according to the Rules shall be provided upon installation on board |

EMC data

| | |
|-------------------------------|----------------------------------------|
| Low Voltage Directive | Conformance with Low Voltage Directive |
| Electromagnetic compatibility | Conformance with EMC directive |

Standards and regulations

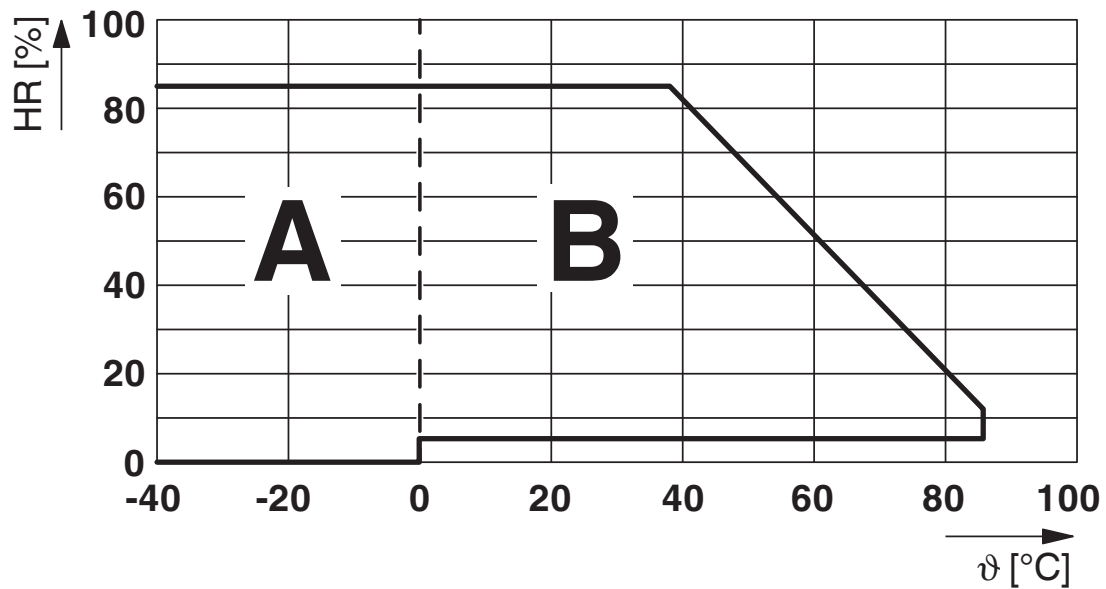
| | |
|-----------------------|---------------|
| Standards/regulations | IEC 60947-5-1 |
|-----------------------|---------------|

Mounting

| | |
|-------------------|---------------------------|
| Mounting type | DIN rail mounting |
| Thread type | () |
| Assembly note | in rows with zero spacing |
| Mounting position | any |

Drawings

Diagram



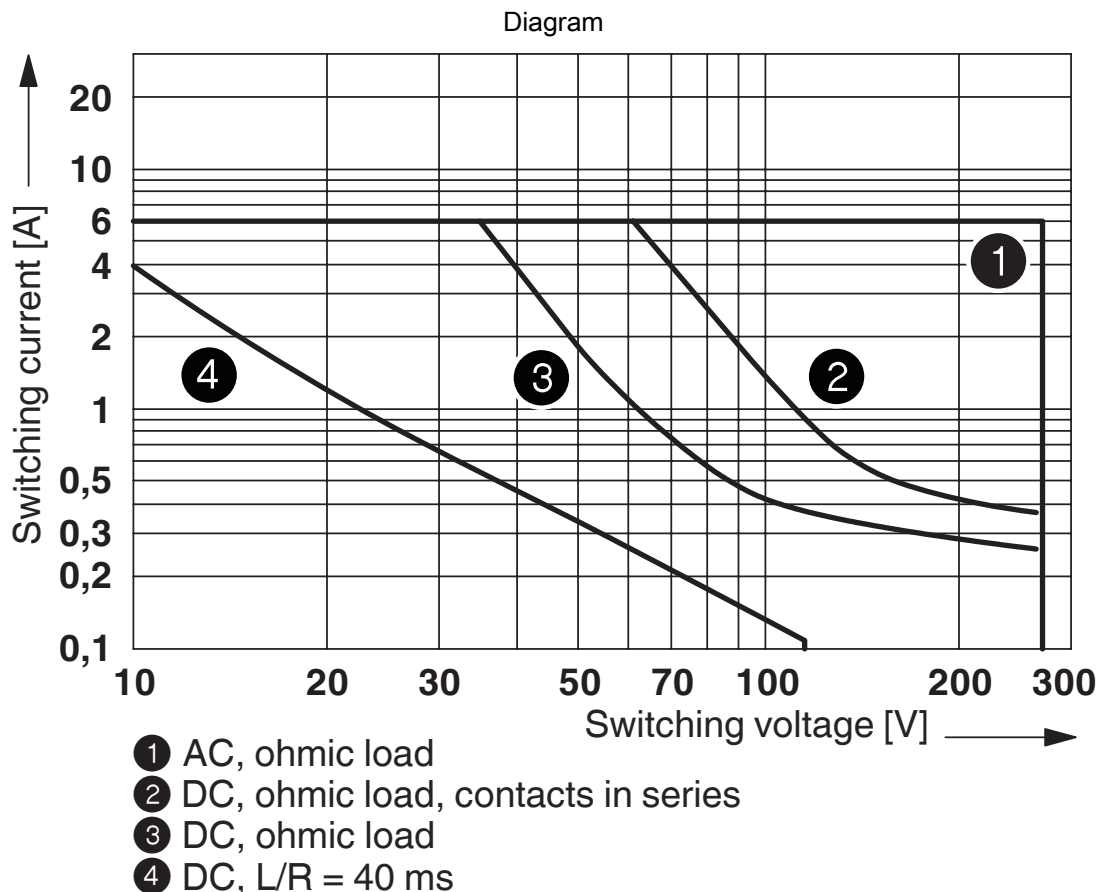
Permissible humidity for operation and storage.

The maximum permissible ambient temperature as specified in the data sheet must be observed.

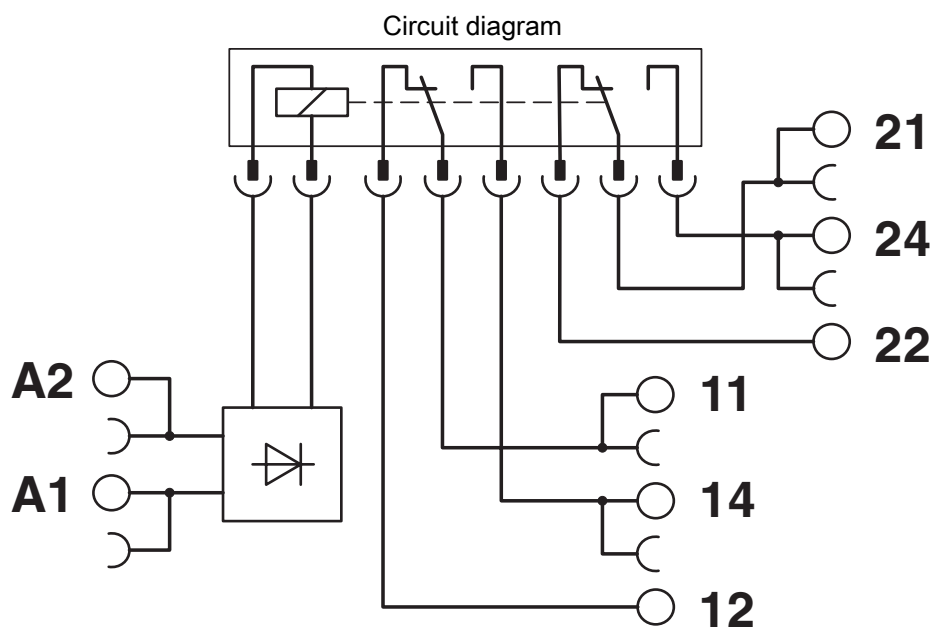
Area A: Ice buildup at ambient temperatures $\leq 0^\circ\text{C}$ must be prevented

Area B: Condensation at ambient temperatures $> 0^\circ\text{C}$ must be prevented

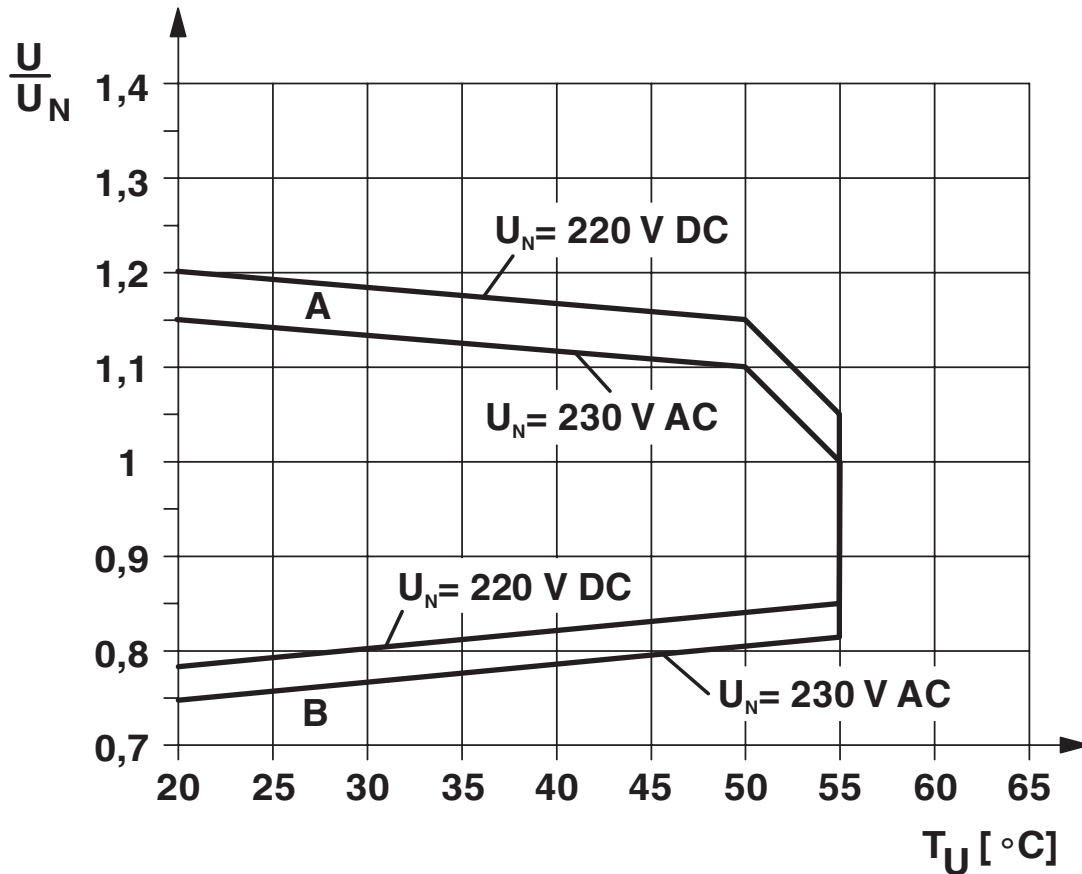
On 30 full days that are naturally distributed across an entire year, a humidity level of 95% is permissible at an ambient temperature $\leq 25^\circ\text{C}$.



Interrupting rating



Diagram



Curve A

Maximum permissible continuous voltage U_{max} with limiting continuous current on the contact side (see relevant technical data)

Curve B

Minimum permissible operate voltage U_{op} after pre-excitation (see relevant technical data)

PLC-RSC-230UC/21-21 - Relay module



2967099

<https://www.phoenixcontact.com/us/products/2967099>

Approvals

To download certificates, visit the product detail page: <https://www.phoenixcontact.com/us/products/2967099>



cUL Recognized
Approval ID: E238705



UL Recognized
Approval ID: E238705



EAC
Approval ID: TR_TS_D_00573_c



DNV GL
Approval ID: TAE000196



EAC
Approval ID: RU*C-DE.*08.B.00010



UL Listed
Approval ID: FILE E 172140



cUL Listed
Approval ID: FILE E 172140



cULus Listed
Approval ID: E140324

cULus Recognized

cULus Listed

PLC-RSC-230UC/21-21 - Relay module



2967099

<https://www.phoenixcontact.com/us/products/2967099>

Classifications

ECLASS

| | |
|-------------|----------|
| ECLASS-11.0 | 27371601 |
| ECLASS-12.0 | 27371601 |
| ECLASS-13.0 | 27371601 |

ETIM

| | |
|----------|----------|
| ETIM 9.0 | EC001437 |
|----------|----------|

UNSPSC

| | |
|-------------|----------|
| UNSPSC 21.0 | 39122300 |
|-------------|----------|

PLC-RSC-230UC/21-21 - Relay module



2967099

<https://www.phoenixcontact.com/us/products/2967099>

Environmental product compliance

EU RoHS

| | |
|-----------------------------------------|--------------|
| Fulfills EU RoHS substance requirements | Yes |
| Exemption | 7(a), 7(c)-I |

China RoHS

| | |
|----------------------------------------|-----------------------------------------------------------------------------------------------------------------------------------------------------------------------------------------------------------------------------------|
| Environment friendly use period (EFUP) | EFUP-50 |
| | An article-related China RoHS declaration table can be found in the download area for the respective article under "Manufacturer declaration". For all articles with EFUP-E, no China RoHS declaration table issued and required. |

EU REACH SVHC

| | |
|-------------------------------------|---------------------------------------------|
| REACH candidate substance (CAS No.) | Hexahydromethylphthalic anhydride(CAS: n/a) |
| | Lead(CAS: 7439-92-1) |
| SCIP | bc7dcc7b-b46a-4761-a884-efdb0c51c6b6 |

EF3.0 Climate Change

| | |
|---------|---------------|
| CO2e kg | 0.838 kg CO2e |
|---------|---------------|

Phoenix Contact 2024 © - all rights reserved
<https://www.phoenixcontact.com>

Phoenix Contact USA
586 Fulling Mill Road
Middletown, PA 17057, United States
(+717) 944-1300
info@phoenixcon.com