

GRFF
2995-6001

Mfg. Ident. Code #95077

MECHANICAL

1. Materials

All metal parts except contacts (2) --303
Corrosion-resisting Steel per QQ-S-763.
Contacts--Beryllium Copper per QQ-C-530 Cond. H.
Dielectric--Teflon per MIL-P-19468.

2. Plating

All metal parts except contacts (2) Gold per
MIL-G-45204, Type II, Class 1 over .0001 min.
Nickel per MIL-C-26074A.
Contacts--Gold per MIL-G-45204, Type II, Class 2
over Copper per MIL-C-14550, Class 4.

3. Mating

Threads--1/4--36 UNS-2A.

ELECTRICAL

1. Voltage--1000 Volts rms, 60 cps.
2. Impedance--50 ohms nominal.

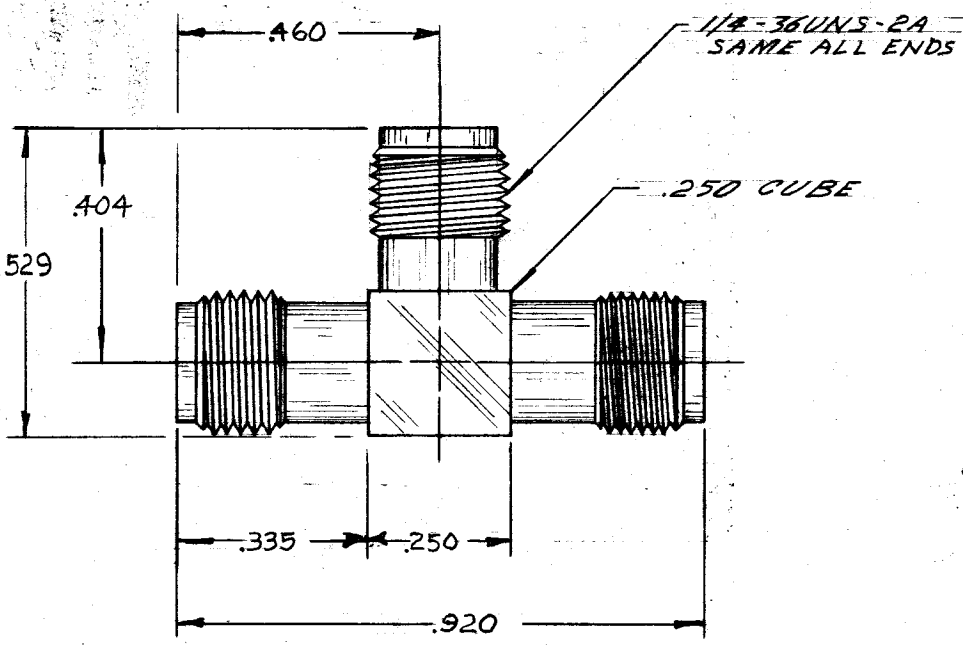
ENVIRONMENTAL

1. Weatherproof.
2. Temperature Range-- -65°F to +260°F.

V.S.W.R. 1.07 + .010

PRINT DISCONTINUED

NOTE: GOVERNED BY
APPLICABLE U.S. GOVERNMENT
MILITARY SPECIFICATIONS
RECORD CONTROL
REQD. REPORT



TOLERANCES— UNLESS OTHERWISE SPECIFIED:— DECIMALS ± .005" FRACTIONS ± 1/64" ANGULAR ± 1/2°

ENGINEERING DATA DRAWING

GENERAL RF FITTINGS, INC.
BOSTON 15, MASS.

"2900 SERIES" ADAPTER TEE F-F-F		
DWN DLC	DATE 7-14-67	SCALE 3X

2995-6001

Mouser Electronics

Authorized Distributor

Click to View Pricing, Inventory, Delivery & Lifecycle Information:

[Amphenol:](#)

[2995-6001](#)