

ST-Z0003 - Square mounting flange with O-ring



1607772

<https://www.phoenixcontact.com/us/products/1607772>

Please be informed that the data shown in this PDF document is generated from our online catalog. Please find the complete data in the user documentation. Our general terms of use for downloads are valid.

Square mounting flange with O-ring, Axial O-ring, 4xM3, series: ST



Commercial data

Item number	1607772
Packing unit	1 pc
Minimum order quantity	1 pc
Note	Made to order (non-returnable)
Sales key	AB36
Product key	ABRGDA
Catalog page	Page 179 (C-2-2019)
GTIN	4046356274647
Weight per piece (including packing)	16.7 g
Weight per piece (excluding packing)	16.7 g
Customs tariff number	85389099
Country of origin	DE

ST-Z0003 - Square mounting flange with O-ring



1607772

<https://www.phoenixcontact.com/us/products/1607772>

Technical data

Product properties

Product type	Mounting material
Series	ST

Material specifications

Housing material	CuZn
------------------	------

Mounting

Mounting	4x M3
----------	-------

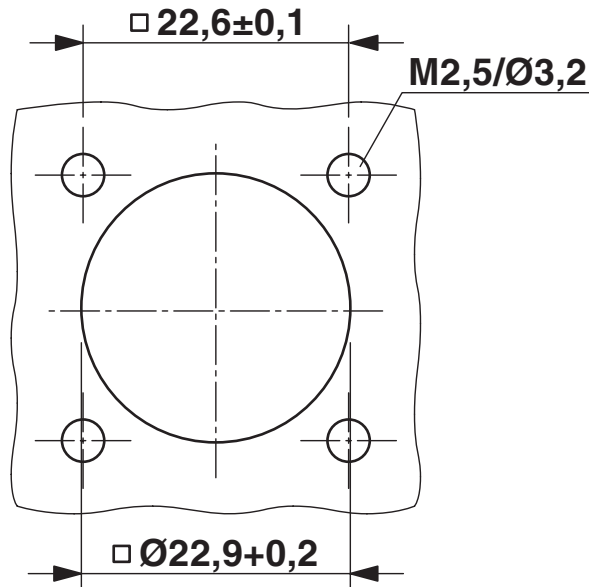
ST-Z0003 - Square mounting flange with O-ring

1607772

<https://www.phoenixcontact.com/us/products/1607772>

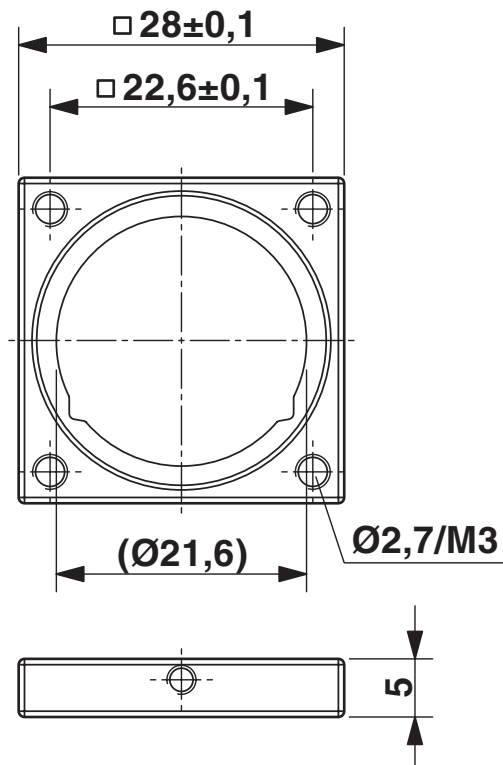
Drawings

Dimensional drawing



Installation dimensions

Dimensional drawing



Installation dimensions Flat gasket

ST-Z0003 - Square mounting flange with O-ring



1607772

<https://www.phoenixcontact.com/us/products/1607772>

Classifications

ECLASS

ECLASS-11.0	27440210
ECLASS-12.0	27440210
ECLASS-13.0	27440210

ETIM

ETIM 9.0	EC002310
----------	----------

UNSPSC

UNSPSC 21.0	39121400
-------------	----------

ST-Z0003 - Square mounting flange with O-ring



1607772

<https://www.phoenixcontact.com/us/products/1607772>

Environmental product compliance

EU RoHS

Fulfills EU RoHS substance requirements	Yes
Exemption	6(c)

China RoHS

Environment friendly use period (EFUP)	EFUP-50
	An article-related China RoHS declaration table can be found in the download area for the respective article under "Manufacturer declaration". For all articles with EFUP-E, no China RoHS declaration table issued and required.

EU REACH SVHC

REACH candidate substance (CAS No.)	Lead(CAS: 7439-92-1)
SCIP	6905cdb4-e051-40a5-ab6a-8041ad8e1acf

Phoenix Contact 2024 © - all rights reserved

<https://www.phoenixcontact.com>

Phoenix Contact USA
586 Fulling Mill Road
Middletown, PA 17057, United States
(+717) 944-1300
info@phoenixcon.com