



Limitless™ Wireless
Heavy-Duty Limit Switches
WLS Series



Limitless™ WLS Series Wireless Limit Switches

The Limitless™ product line combines the best of MICRO SWITCH™ heavy-duty limit switches with the latest commercial off-the-shelf wireless technology. Wireless enabled limit switches can be used for position sensing and presence/absence detection for an endless number of applications.

The Limitless™ Series is especially beneficial for remote monitoring applications where wiring or wire maintenance is not physically possible or economically feasible. Combining this greater flexibility with proven harsh duty packaging can result in increased efficiencies and improved safety for machines, equipment, OEMs, and operators.

What makes our wireless solutions better?

- Enables control and/or notification from remote parts of applications/machinery/manufacturing plants, where wiring is too costly or not possible
- Ability to reconfigure and network multiple switches and interfaces with unique addresses that allows for adding, subtracting, or relocating Limitless™ inputs easily
- Limit, eyelet pull, and non-contact switches along with single switch adapters allow for multiple wireless solutions to accommodate almost any application
- Reduced installation and maintenance costs eliminate the need to wire switches, install conduit, apply strain relief, mounting clips, connectors, junction boxes, etc.
- Eliminates issues with wire connection integrity and cable degradation on moving equipment



INDUSTRY STANDARD
VALUE • RELIABLE

Features and Benefits

WIRELESS DESIGN

Radio (license-free and global): WPAN 802.15.4, 2.4 GHz, point-to-point to deliver **reliable, flexible, and secure wireless transmission**. Offers control from remote locations where wiring is too costly or not practical (up to 305 m [1000 ft]).

SEALED FOR HARSH ENVIRONMENTS

The Limitless™ Series features **industrial and NEMA ratings**, sealed zinc die-cast and powder coated housings with direct or remote mounted antenna options.

Range of 305 m [1000 ft]

REMOTE CONTROL AND MONITORING

When paired with the Limitless™ Monitor or Receiver, the WLS product line can enable users to monitor and/or control equipment, access points, and presence/absence detection in remote locations where wiring is too costly or impractical to install. The WLS Series is designed to consume ultra-low power that helps to prolong battery life and has **direct or remote mounted antenna options**.

Consumes ultra-low power to prolong battery life

DESIGN OPTIONS

The WLS Series offers a broad range of actuator styles. Side rotary, top plunger, eyelet pull, wobble stick, single switch adapter, and non-contact switch are all available within the product line. Actuator heads on most models can be **rotated in 90° increments** to allow for flexibility in applications. Multiple actuators can also be applied to any side rotary WLS Limitless™ switch.

CONFIGURABILITY

All of the WLS Series Limitless™ switches can be easily paired with a WPMM monitor or WDRR receiver providing multiple inputs that **easily allow for adding, removing, or relocating Limitless™ switches**. This unique feature helps to eliminate issues with wire connection integrity on moving equipment.

REDUCES COSTS

With no wires, conduit, strain relief, connectors, or junction boxes to install or maintain, the WLS Series can **reduce maintenance costs and inventory** associated with maintaining and repairing equipment and facilities.

Limitless™ WLS Series • Heavy-Duty Limit Switch

Potential Applications

with elements of control, notification, and/or setup



- Valve position
- Crane boom/jib/skew position
- Safety shower monitoring
- Lifts
- Material handling
- Presses
- CNC equipment
- Construction/Agricultural equipment
- Movable machinery
- Door position
- Hose attachment verification
- Remote or temporary equipment



Table 1. WLS Series Specifications

| Characteristic | Parameter |
|--------------------------------|--|
| Series name | WLS Series |
| Product type | Limitless™ Wireless Heavy-Duty Limit Switches |
| Availability | global, license-free bands |
| Operating force | see specification tables on page 6-7 |
| Actuator | side rotary, top plunger, top roller plunger, top adjustable plunger, side plunger, wobble stick |
| Lever type | rotary lever included with side rotary – other lever options available |
| Housing material | zinc die-cast head and body, phosphate treated and powder coated |
| Housing type | EN 50041 |
| Radio | WPAN 802.15.4; 2.4 GHz |
| Antenna type | direct or remote mount antenna options; omni directional |
| Signal range* | 305 meters [1000 ft] clear "line of sight"*** between switch and receiver using a 2.2 dBi integral antenna |
| Battery | 3.5 Vdc Lithium Thionyl Chloride; 2/3 AA size (est. life = 1 year) Manufactured by Uniwell, part number DEV-10-0009; Green Energy p/n ER14335M; Honeywell p/n WBT1 |
| Sealing | IP67; NEMA 1, 3, 4, 6, 6P, 12, 13 |
| EMC | Latest applicable standards: EN 300 328, V1.7.1; EN 61326-1 (2006); EN 301 489-1, V1.8.1; EN 301 489-17, V2.1.1 |
| Shock | IEC 60068-2-27; half sine, 10 g, 6 mS, 3 axis |
| Vibration | IEC 60068-2-6; 10-500Hz w/ 0,35 mm peak to peak, 58-500 Hz-5g |
| Operating temperature | -40 °C to 85 °C [-40 °F to 185 °F] |
| Agency approvals and standards | FCC 15.247: United States of America • IC RSS 210: Canada ETSI, CE mark: European countries • ACMA, C-TICK: Australia, New Zealand IDA: Singapore • COFETEL: Mexico WPC: India • ANATEL: Brazil SRRC: China • KCC: South Korea |
| UNSPSC code | 20142601 |
| UNSPSC commodity | 20142601 |
| Sealed | Industrial |

*Actual range may vary depending upon antennas, cables, and topography.

** "Line of sight" is not mandatory to fully utilize the Limitless™ technology and thus testing in the actual application will determine suitability.

Limitless™ Wireless Heavy-Duty Limit Switches

PRODUCT NOMENCLATURE

| WLS | 1 | A | 00 | A | A | 1 | 3 | A |
|---------------------|-------------|--------------------------|---|--|--|--|--|---|
| Switch type | Gen Code | RF Code | Antenna type code* | Country use code | Operating head code | Actuator code | Modification code | Specials |
| WLS Series Wireless | 1 Version 1 | A 2.4 GHz; IEEE 802.15.4 | 00 No antenna; RP-SMA connector jack | A US, Canada, Mexico | A Side rotary, momentary | See WLS actuator code table for details. | Not applicable | Not applicable |
| | | | 01 2.2 dBi omni w/ switch mount, straight design | B All other approved countries ^{1, 2, 3} | C Top plunger, plain | Actuators for operating head code "A" only; insert actuator code from table below. | 3 Head assembled with actuator to right side | BT1 M12 Micro connector on top of head for external switch connection* |
| | | | 02 2.2 dBi omni w/ switch mount; tilt/swivel | *Use with antenna type codes 00 - 03, 05, 10, 11 only; usage also allowed in Country Code A. | D Top plunger, roller | | 4 Head assembled with actuator to left side | BT2 M12 Micro connector on side of head for external switch connection* |
| | | | 03 3.0 dBi omni w/ remote adhesive mount 9.8 ft cable | | *Some countries require specific communication certifications. Contact Honeywell for existing certification information. | | E Side plunger, momentary | 5 Head assembled with actuator to mounting surface |
| | | | 04 5.5 dBi omni w/ remote mag. mount, tilt/swivel 5 ft cable | *If Limitless™ devices are used on machinery that may be shipped globally, use country code "B". | | | J Wobble stick | 6 Roller perpendicular to mounting surface |
| | | | 05 5.5 dBi omni w/ remote mag. mount, tilt/swivel 10ft cable | | | | N Side rotary, maintained | |
| | | | 06 9.0 dBi omni w/ remote mag. mount, tilt/swivel 5 ft cable | | V Top plunger, adjustable | | | RS2 Reed switch target on side of head |
| | | | 07 9.0 dBi omni w/ remote mag. mount, tilt/swivel 10ft cable | | | | | PO1 Eyelet pull operating head (low force, 7 lb ref.) |
| | | | 08 8.0 dBi omni w/ remote bkt. mount, str. design 3 ft cable | | | | | PO2 Eyelet pull operating head (low force, 18 lb ref.) |
| | | | 09 8.0 dBi omni w/ remote bkt. mount, str. design 11 ft cable | | | | | |
| | | | 10 2.2 dBi omni w/ remote bracket mount, straight design, 10 ft cable | | | | | |
| | | | 11 0 dBi omni w/ switch mount, straight design | | | | | |

* See Table 11 for additional information.










Table 2. WLS Series Actuator Code Table

| Code | Catalog Listing | Material | Roller Dia. (in) | Roller Width (in) | Roller Mounting |
|---|-----------------|--------------|------------------|-------------------|-----------------|
| Fixed 1.5 inch radius | | | | | |
| 1 | LSZ51 | Rollerless | n/a | n/a | n/a |
| 1A | LSZ51A | Nylon | 0.75 | 0.25 | Front |
| 1B | LSZ51B | Steel | 0.75 | 0.25 | Front |
| 1C | LSZ51C | Nylon | 0.75 | 0.25 | Back |
| 1D | LSZ51D | Steel | 0.75 | 0.25 | Back |
| 1F | LSZ51F | Nylon | 1.0 | 0.520 | Front |
| 1G | LSZ51G | Nylon | 1.5 | 0.25 | Front |
| 1J | LSZ51J | Nylon | 1.0 | 0.520 | Back |
| 1L | LSZ51L | Ball bearing | 0.75 | 0.25 | Back |
| 1M | LSZ51M | Nylon | 0.75 | 1.25 | Back |
| 1N | LSZ51N | Steel | 0.75 | 1.25 | Front |
| 1P | LSZ51P | Nylon | 0.75 | 0.50 | Front |
| Adjustable 1.5 in to 3.5 in radius | | | | | |
| 2 | LSZ52 | Rollerless | n/a | n/a | n/a |
| 2A | LSZ52A | Nylon | 0.75 | 0.25 | Back |
| 2B | LSZ52B | Steel | 0.75 | 0.25 | Back |
| 2C | LSZ52C | Nylon | 0.75 | 0.25 | Front |
| 2D | LSZ52D | Steel | 0.75 | 0.25 | Front |
| 2E | LSZ52E | Nylon | 0.75 | 1.30 | Front |
| 2J | LSZ52J | Nylon | 1.0 | 0.50 | Front |
| 2K | LSZ52K | Nylon | 1.5 | 0.25 | Front |
| 2L | LSZ52L | Ball bearing | 0.75 | 0.25 | Front |
| 2M | LSZ52M | Nylon | 2.0 | 0.25 | Front |
| 2N | LSZ52N | Nylon | 0.75 | 0.50 | Front |
| Yoke – 1.5 in radius | | | | | |
| 3A | LSZ53A | Nylon | 0.75 | 0.25 | Front/Back |
| 3B | LSZ53B | Steel | 0.75 | 0.25 | Front/Back |
| 3D | LSZ53D | Steel | 0.75 | 0.25 | Front/Front |

| Code | Catalog Listing | Material | Roller Dia. (in) | Roller Width (in) | Roller Mounting |
|--|-----------------|--------------------|------------------|-------------------|-----------------|
| Yoke – 1.5 in radius, continued | | | | | |
| 3E | LSZ53E | Nylon | 0.75 | 0.25 | Back/Front |
| 3M | LSZ53M | Nylon | 0.75 | 1.25 | Back/Front |
| 3P | LSZ53P | Steel | 0.75 | 0.25 | Back/Back |
| 3S | LSZ53S | Nylon | 0.75 | 0.25 | Back/Back |
| Rod | | | | | |
| 4 | LSZ54 | Hub only | n/a | n/a | n/a |
| 4M | LSZ54M | Alum, 5.5 in | n/a | n/a | n/a |
| 4N | LSZ54N | Stainless, 13 in | n/a | n/a | n/a |
| 4R | LSZ54R | Spring Wire, 12 in | n/a | n/a | n/a |
| 4V | LSZ54V | Flex cable, 4.8 in | n/a | n/a | n/a |
| Offset – 1.5 in radius | | | | | |
| 5 | LSZ55 | Rollerless | n/a | n/a | n/a |
| 5A | LSZ55A | Nylon | 0.75 | 0.25 | Back |
| 5B | LSZ55B | Steel | 0.75 | 0.25 | Back |
| 5C | LSZ55C | Nylon | 0.75 | 0.25 | Front |
| 5D | LSZ55D | Steel | 0.75 | 0.25 | Front |
| 5E | LSZ55E | Nylon | 0.75 | 0.50 | Front |
| 5K | LSZ55K | Nylon | 1.5 | 0.25 | Front |
| Wobble stick | | | | | |
| 7A | LSZ1JGA | Delrin™ rod, 5.5 | n/a | n/a | n/a |
| 7M | LSZ1JGM | Spring wire, 13.0 | n/a | n/a | n/a |
| 7N | LSZ1JGN | Cable, 5.5 in. | n/a | n/a | n/a |
| Short fixed - 1.3 in radius | | | | | |
| 9A | LSZ59A | Nylon | 0.75 | 0.25 | Front |
| 9B | LSZ59B | Steel | 0.75 | 0.25 | Front |
| 9C | LSZ59C | Nylon | 0.75 | 0.25 | Back |
| 9D | LSZ59D | Steel | 0.75 | 0.25 | Back |

WLS Series

Table 3. WLS Series Order Guide

| Photo | Part Number* | Operating Head | Actuator/Lever | Antenna Type |
|---|--------------|----------------------------|---|--|
|  | WLS1A01AA1A | side rotary - momentary | Fixed 33,1 mm [1.5 in] lever with nylon roller | 2.2 dBi omni, straight |
| | WLS1A02AA1A | side rotary - momentary | Fixed 33,1 mm [1.5 in] lever with nylon roller | 2.2 dBi omni, tilt & swivel |
| | WLS1A04AA1A | side rotary - momentary | Fixed 33,1 mm [1.5 in] lever with nylon roller | 5.5 dBi omni w/ remote magnetic mount, tilt & swivel, 5 ft cable |
| | WLS1A11AA1A | side rotary - momentary | Fixed 33,1 mm [1.5 in] lever with nylon roller | 0.0 dBi omni, straight |
|  | WLS1A01AA1B | side rotary - momentary | Fixed 33,1 mm [1.5 in] lever with steel roller | 2.2 dBi omni, straight |
| | WLS1A02AA1B | side rotary - momentary | Fixed 33,1 mm [1.5 in] lever with steel roller | 2.2 dBi omni, tilt & swivel |
| | WLS1A04AA1B | side rotary - momentary | Fixed 33,1 mm [1.5 in] lever with steel roller | 5.5 dBi omni w/ remote magnetic mount, tilt & swivel, 5 ft cable |
| | WLS1A11AA1B | side rotary - momentary | Fixed 33,1 mm [1.5 in] lever with steel roller | 0.0 dBi omni, straight |
|  | WLS1A001AA2A | side rotary - momentary | Adjustable 88,9 mm [3.5 in] lever with nylon roller | 2.2 dBi omni, straight |
| | WLS1A02AA2A | side rotary - momentary | Adjustable 88,9 mm [3.5 in] lever with nylon roller | 2.2 dBi omni, tilt & swivel |
| | WLS1A04AA2A | side rotary - momentary | Adjustable 88,9 mm [3.5 in] lever with nylon roller | 5.5 dBi omni w/ remote magnetic mount, tilt & swivel, 5 ft cable |
| | WLS1A11AA2A | side rotary - momentary | Adjustable 88,9 mm [3.5 in] lever with nylon roller | 0.0 dBi omni, straight |
|  | WLS1A01AA2B | side rotary - momentary | Adjustable 88,9 mm [3.5 in] lever with steel roller | 2.2 dBi omni, straight |
| | WLS1A02AA2B | side rotary - momentary | Adjustable 88,9 mm [3.5 in] lever with steel roller | 2.2 dBi omni, tilt & swivel |
| | WLS1A04AA2B | side rotary - momentary | Adjustable 88,9 mm [3.5 in] lever with steel roller | 5.5 dBi omni w/ remote magnetic mount, tilt & swivel, 5 ft cable |
| | WLS1A11AA2B | side rotary - momentary | Adjustable 88,9 mm [3.5 in] lever with steel roller | 0.0 dBi omni, straight |
|  | WLS1A01AA4M | side rotary - momentary | 140 mm [5.5 in] aluminum adjustable rod | 2.2 dBi omni, straight |
| | WLS1A02AA4M | side rotary - momentary | 140 mm [5.5 in] aluminum adjustable rod | 2.2 dBi omni, tilt & swivel |
| | WLS1A01AA4N | side rotary - momentary | 330 mm [13.0 in] stainless steel rod | 2.2 dBi omni, straight |
| | WLS1A02AA4N | side rotary - momentary | 330 mm [13.0 in] stainless steel rod | 2.2 dBi omni, tilt & swivel |
| | WLS1A11AA4N | side rotary - momentary | 330 mm [13.0 in] stainless steel rod | 0.0 dBi omni, straight |
|  | WLS1A02AB | side pin plunger | – | 2.2 dBi omni, tilt & swivel |
|  | WLS1A01AC | top pin plunger | – | 2.2 dBi omni, straight |
| | WLS1A02AC | top pin plunger | – | 2.2 dBi omni, tilt & swivel |
| | WLS1A04AC | top pin plunger | – | 5.5 dBi omni w/ remote magnetic mount, tilt & swivel, 5 ft cable |
| | WLS1A11AC | top pin plunger | – | 0.0 dBi omni, straight |
|  | WLS1A01AD | top roller plunger | – | 2.2 dBi omni, straight |
| | WLS1A02AD | top roller plunger | – | 2.2 dBi omni, tilt & swivel |
| | WLS1A04AD | top roller plunger | – | 5.5 dBi omni w/ remote magnetic mount, tilt & swivel, 5 ft cable |
| | WLS1A11AD | top roller plunger | – | 0.0 dBi omni, straight |
|  | WLS1A02AJ7M | wobble - wire | Ø2,0 mm [Ø0.075 in] x 330 mm [13.0 in] | 2.2 dBi omni, tilt & swivel |
| | WLS1A11AJ7A | wobble - thermoplastic rod | Ø6,35 mm x 140 mm [Ø0.25 in x 5.5 in] | 0.0 dBi omni, straight |

* To order products approved for use outside of the US/Canada/Mexico (A code), simply substitute the appropriate letter after reviewing the product approvals and antenna guidelines contained in this document. B = All other approved countries

NOTE: Switches are also available without antennas. Contact Honeywell Customer Service or an authorized distributor for details.

Limitless™ Wireless Heavy-Duty Limit Switches

| Pretravel (PT) max. | Overtravel (OT) min. | Differential Travel (DT) max. | Operating Point (OP) | Free Position (FP) | Oper. Force or Torque (max.) |
|---------------------|----------------------|-------------------------------|--|----------------------------------|------------------------------|
| 17.5° | 60° | 7° | – | – | 0,45 Nm [4 in-lb] |
| 17.5° | 60° | 7° | – | – | 0,45 Nm [4 in-lb] |
| 17.5° | 60° | 7° | – | – | 0,45 Nm [4 in-lb] |
| 17.5° | 60° | 7° | – | – | 0,45 Nm [4 in-lb] |
| 17.5° | 60° | 7° | – | – | 0,45 Nm [4 in-lb] |
| 17.5° | 60° | 7° | – | – | 0,45 Nm [4 in-lb] |
| 17.5° | 60° | 7° | – | – | 0,45 Nm [4 in-lb] |
| 17.5° | 60° | 7° | – | – | 0,45 Nm [4 in-lb] |
| 17.5° | 60° | 7° | – | – | 0,45 Nm [4 in-lb] |
| 17.5° | 60° | 7° | – | – | 0,45 Nm [4 in-lb] |
| 17.5° | 60° | 7° | – | – | 0,45 Nm [4 in-lb] |
| 17.5° | 60° | 7° | – | – | 0,45 Nm [4 in-lb] |
| 17.5° | 60° | 7° | – | – | 0,45 Nm [4 in-lb] |
| 17.5° | 60° | 7° | – | – | 0,45 Nm [4 in-lb] |
| 17.5° | 60° | 7° | – | – | 0,45 Nm [4 in-lb] |
| 17.5° | 60° | 7° | – | – | 0,45 Nm [4 in-lb] |
| 17.5° | 60° | 7° | – | – | 0,45 Nm [4 in-lb] |
| 17.5° | 60° | 7° | – | – | 0,45 Nm [4 in-lb] |
| 17.5° | 60° | 7° | – | – | 0,45 Nm [4 in-lb] |
| 2,54 mm [0.10 in] | 4,83 mm [0.19 in] | 1,14 mm [0.045 in] | 33,02 mm ±0,76 mm [1.30 in ±0.03 in] | – | 26,69 N [6 lb] |
| 1,78 mm [0.070 in] | 4,83 mm [0.190 in] | 0,41 mm [0.016 in] | 45,85 mm ±0,76 mm [1.805 in ±0.03 in] | 47,63 mm ref. [1.875 in ref.] | 17,79 N [4 lb] |
| 1,78 mm [0.070 in] | 4,83 mm [0.190 in] | 0,41 mm [0.016 in] | 45,85 mm ±0,76 mm [1.805 in ±0.03 in] | 47,63 mm ref. [1.875 in ref.] | 17,79 N [4 lb] |
| 1,78 mm [0.070 in] | 4,83 mm [0.190 in] | 0,41 mm [0.016 in] | 45,85 mm ±0,76 mm [1.805 in ±0.03 in] | 47,63 mm ref. [1.875 in ref.] | 17,79 N [4 lb] |
| 1,78 mm [0.070 in] | 4,83 mm [0.190 in] | 0,41 mm [0.016 in] | 45,85 mm ±0,76 mm [1.805 in ±0.03 in] | 47,63 mm ref. [1.875 in ref.] | 17,79 N [4 lb] |
| 1,78 mm [0.070 in] | 4,83 mm [0.190 in] | 0,41 mm [0.016 in] | 55,88 mm ±1,02 mm [2.20 in ±0.04 in] | 57,66 mm ref. [2.270 in ref.] | 17,79 N [4 lb] |
| 1,78 mm [0.070 in] | 4,83 mm [0.190 in] | 0,41 mm [0.016 in] | 55,88 mm ±1,02 mm [2.20 in ±0.04 in] | 57,66 mm ref. [2.270 in ref.] | 17,79 N [4 lb] |
| 1,78 mm [0.070 in] | 4,83 mm [0.190 in] | 0,41 mm [0.016 in] | 55,88 mm ±1,02 mm [2.20 in ±0.04 in] | 57,66 mm ref. [2.270 in ref.] | 17,79 N [4 lb] |
| 1,78 mm [0.070 in] | 4,83 mm [0.190 in] | 0,41 mm [0.016 in] | 55,88 mm ±1,02 mm [2.20 in ±0.04 in] | 57,66 mm ref. [2.270 in ref.] | 17,79 N [4 lb] |
| 101,6 mm [4.0 in] | – | – | – | – | 142 g [5 oz] |
| 25,4 mm [1.0 in] | – | – | – | – | 284 g [10.0 oz] |

WLS Series

DIMENSIONS

Figure 1. Limitless™ WLS Series Side Rotary

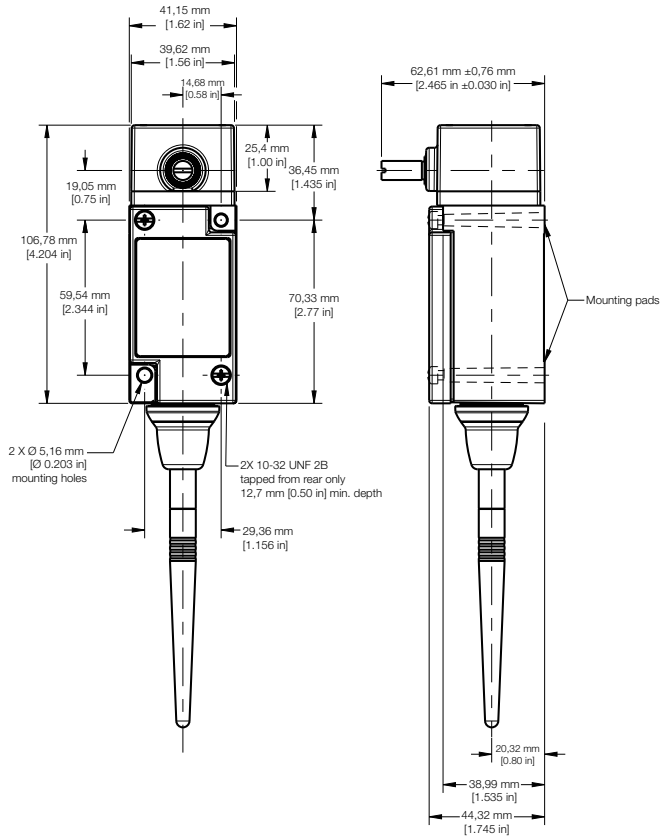


Figure 2. Limitless™ WLS Series Top Adjustable Plunger Head

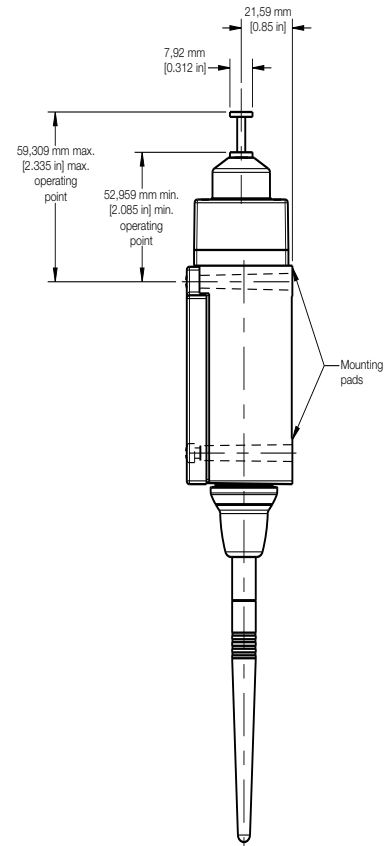


Figure 3. Limitless™ WLS Series Top Roller Plunger

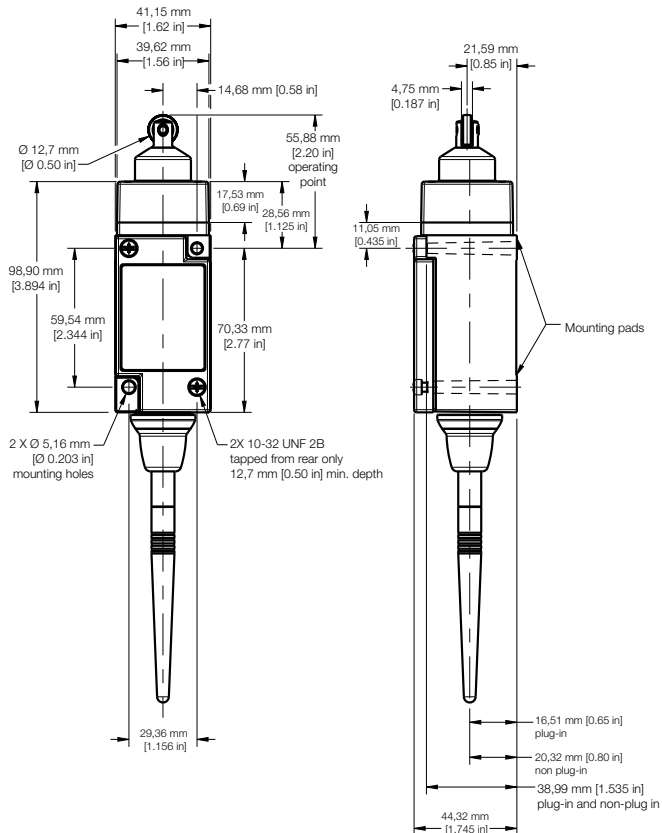
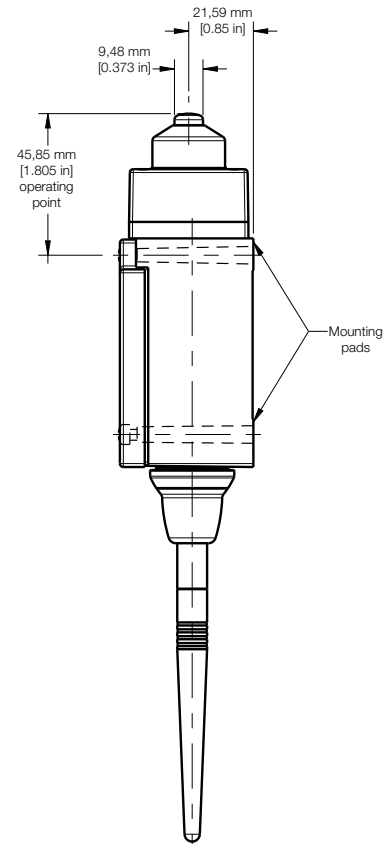


Figure 4. Limitless™ WLS Series Top Plunger Head



Limitless™ Wireless Heavy-Duty Limit Switches

Figure 5. Limitless™ WLS Series Side Plunger

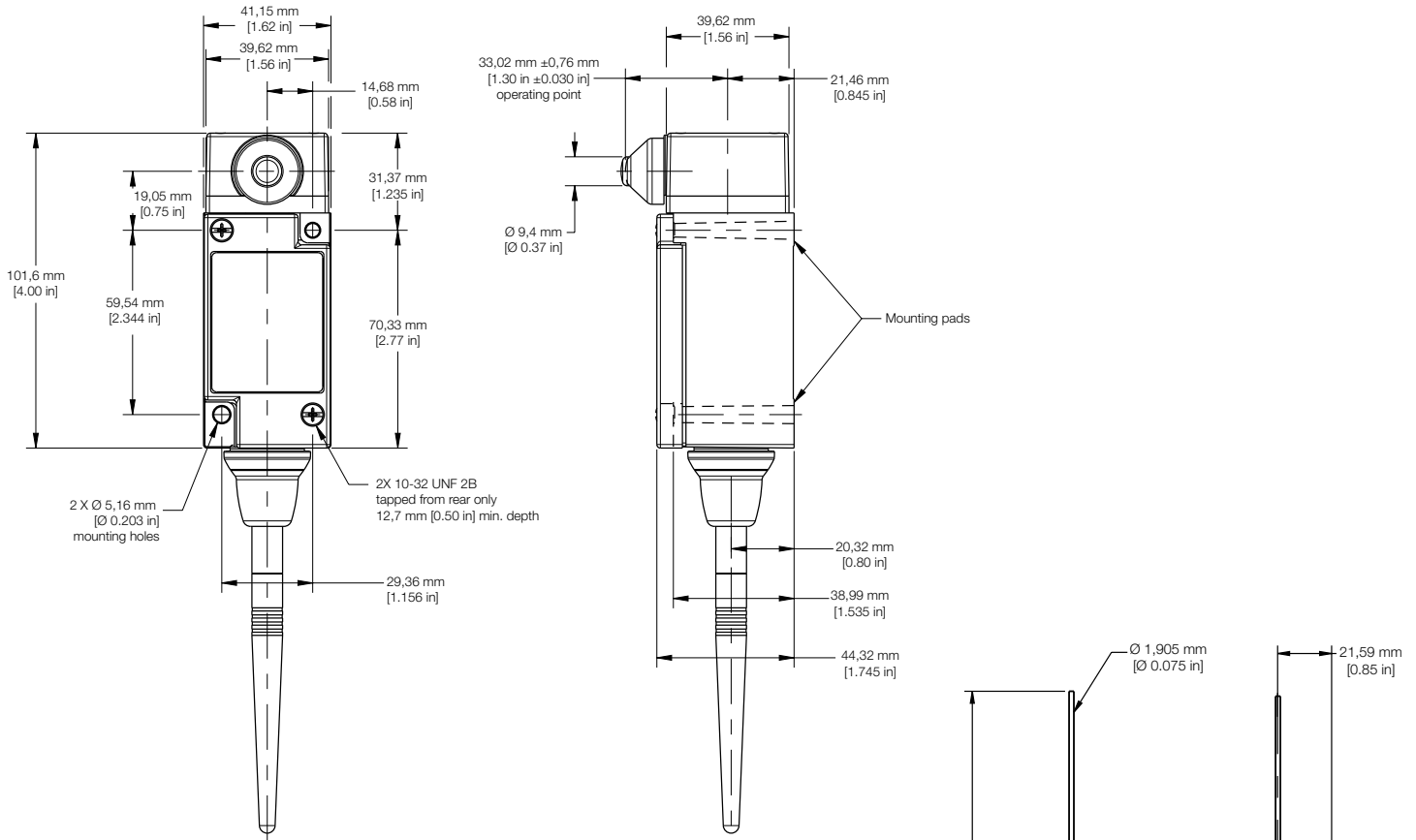
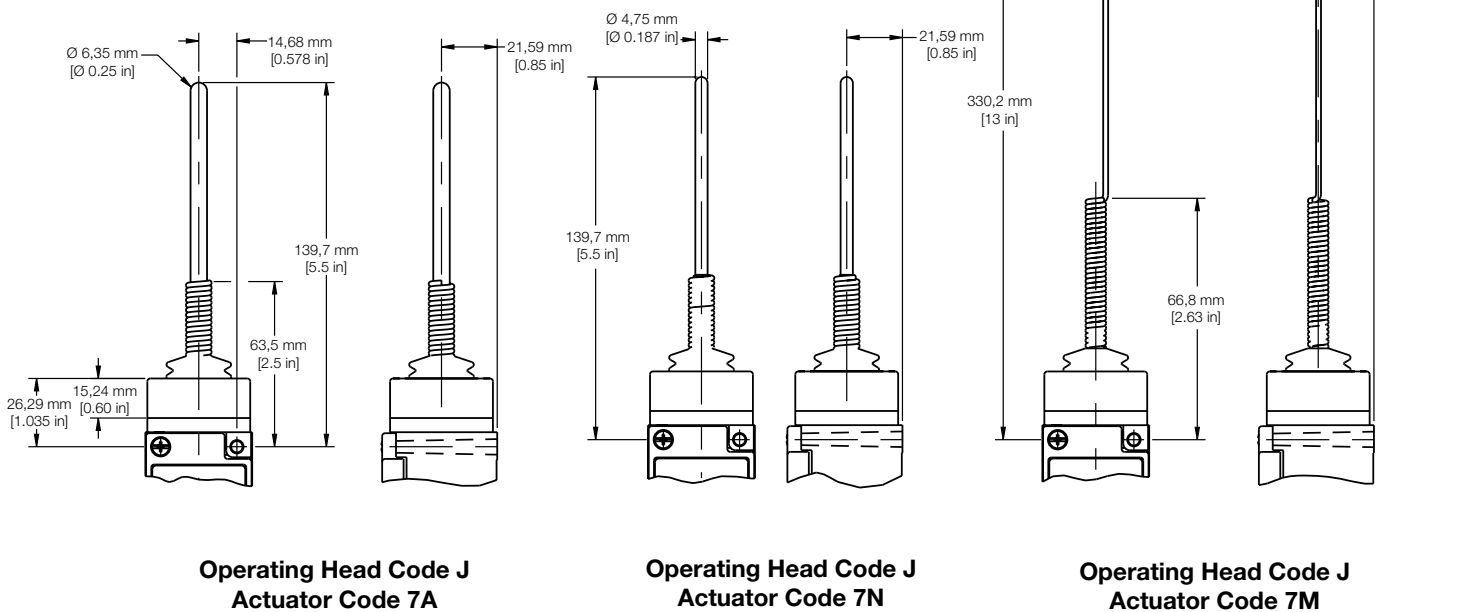



Figure 6. Limitless™ WLS Series Wobblers



WLS Series

Table 4. WLS Series Available Levers

| | | | | | | | |
|--|--|---|---|---|--|--|--|
|  |  |  |  | | | | |
| Fixed lever LSZ51A - front mount nylon roller LSZ51B - front mount steel roller LSZ51C - back mount nylon roller LSZ51D - back mount steel roller | Short fixed lever LSZ59A - front mount nylon roller LSZ59B - front mount steel roller LSZ59C - back mount nylon roller LSZ59D - back mount steel roller | Offset lever LSZ55A - back mount nylon roller LSZ55B - back mount steel roller LSZ55C - front mount nylon roller LSZ55D - front mount steel roller | Yoke lever LSZ53A - front/back mount nylon rollers LSZ53B - front/back mount steel rollers LSZ53D - front/front mount steel rollers | | | | |
|  |  |  | | | | | |
| One-way lever LSZ60A - nylon roller LSZ60B - steel roller | Adjustable lever LSZ52A - back mount nylon roller LSZ52B - back mount steel roller LSZ52C - front mount nylon roller LSZ52D - front mount steel roller | Spoke lever LSZ69CA - 152 mm [6 in] | | | | | |
|  |  |  |  |  |  |  |  |
| LSZ54M aluminum rod 140 mm [5.5 in] | LSZ52J adjustable lever, nylon roller 25,4 mm [1 in] | LSZ52K adjustable lever, nylon roller 38,1 mm [1.5 in] | LSZ61 loop 152 mm [6 in] | LSZ67CA** Plastic conveyor roller | LSZ54N stainless steel rod 330 mm [13 in] | LSZ54R spring wire 305 mm [12 in] | LSZ68 rod w/ spring 305 mm [12 in] |

** May require orientation of switch and lever to enable gravity to help restore switch's free position.

Limitless™ WLS Series • Eyelet Pull Limit Switch

Honeywell Limitless™ WLS Series Heavy Duty Wireless Limit Switches with an eyelet pull operating head can be used to attach a rope, cable, or chain. It also can be used on cranes as an anti-two-block (A2B) switch.

Potential Applications



- Cranes: A2B (anti-two-block) switch
- Rope pull: door activation switch
- Cable pull: production stop applications (e.g., quality, broken tool, maintenance, out of parts);
**not applicable to human safety-stop applications



Table 5. WLS Series with Eyelet Pull Specifications


| Characteristic | Parameter |
|-------------------------------|---|
| Operating characteristics | operating force: 7 lb. approx. or 18 lb. approx. |
| Actuator | momentary eyelet pull operating head (pull eyelet in-line with shaft to prevent damage) |
| Housing material | zinc die-cast head and body, phosphate treated and powder coated |
| Radio | WPAN 802.15.4; 2.4 GHz |
| Communication agency approval | FCC 15.247: United States of America IC RSS 210: Canada ETSI, CE mark: European countries ACMA, C-TICK: Australia, New Zealand COFETEL: Mexico WPC: India ANATEL: Brazil SRRC: China KCC: South Korea |
| Antenna type | RP-SMA jack for direct or remote mount antenna options; omni-directional |
| Signal range* | In excess of 305 m [1000 ft] "line-of-sight" communication between Limitless™ switches and monitor |
| Battery | 3.6 Vdc Lithium Thionyl Chloride; 2/3 AA size (est. life = 1 year) Manufactured by Uniwell, p/n DEV-10-0009; Green Energy, p/n ER14335M; Honeywell, p/n WBT1 |
| Sealing | IP67/IP68; NEMA 1, 4, 6, 6P, 12, 13 |
| EMC | Latest applicable standards: EN 300 328, V1.7.1; EN 61326-1 (2006); EN 301 489-1, V1.8.1; EN 301 489-17, V2.1.1 |
| Shock | IEC 60068-2-27; half sine, 10 g, 6 mS, 3 axis |
| Vibration | IEC 60068-2-6; 10-500Hz w/ 0,35 mm peak-to-peak, 58-500 Hz- 5g |
| Operating temperature | -40 °C to 85 °C [-40 °F to 185 °F] |

*Actual range may vary depending upon antennas, cables, and topography.

** "Line of sight" is not mandatory to fully utilize the Limitless™ technology and thus testing in the actual application will determine suitability.

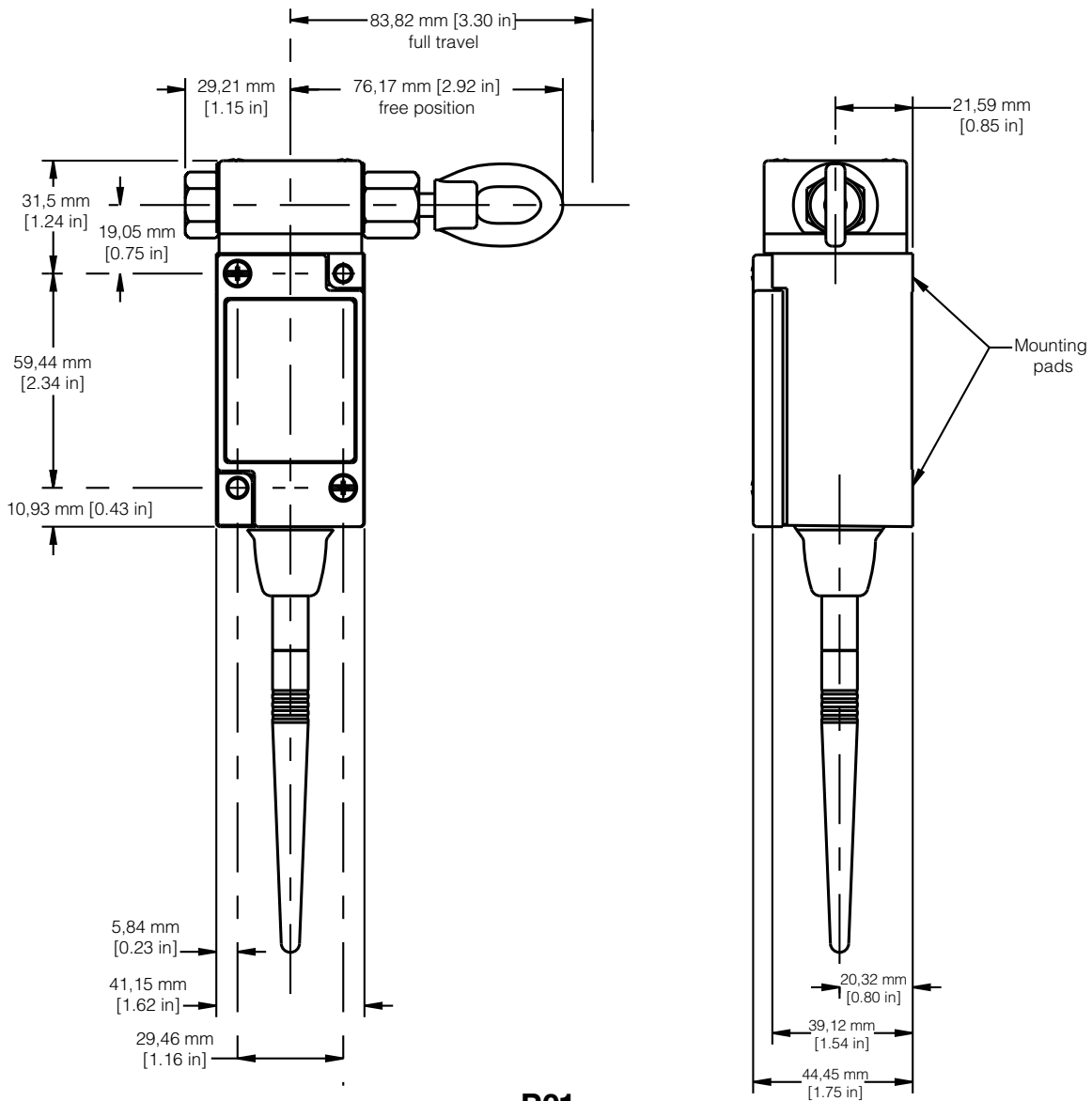
WLS Series

Table 6. WLS Series with Eyelet Pull Order Guide

| Photo | Part Number | Antenna Type | For Use In | Full Travel max. | Free Position | Oper. Force max. | Head assembly |
|--|-----------------|--------------|------------------------------|-----------------------|-----------------------|------------------|-------------------------------|
|  | WLS 1A11AQ-4P01 | 0 dBi omni | US, Canada, Mexico | 83,82 mm [3.30 in] | 74,17 mm [2.92 in] | 7 lb | w/ actuator to left side |
| | WLS1A11AQ-P01 | 0 dBi omni | US, Canada, Mexico | 83,82 mm [3.30 in] | 74,17 mm [2.92 in] | 7 lb | w/ actuator towards nameplate |
| | WLS1A11AQ-P02 | 0 dBi omni | US, Canada, Mexico | 83,82 mm [3.30 in] | 74,17 mm [2.92 in] | 18 lb | w/ actuator towards nameplate |
| | WLS1A11BQ-4P01 | 0 dBi omni | All other approved countries | 83,82 mm [3.30 in] | 74,17 mm [2.92 in] | 7 lb | w/ actuator to left side |
| | WLS1A11BQ-P01 | 0 dBi omni | All other approved countries | 83,82 mm [3.30 in] | 74,17 mm [2.92 in] | 7 lb | w/ actuator towards nameplate |
| | WLS1A11BQ-P02 | 0 dBi omni | All other approved countries | 83,82 mm [3.30 in] | 74,17 mm [2.92 in] | 18 lb | w/ actuator towards nameplate |

Limitless™ Wireless Heavy-Duty Limit Switches

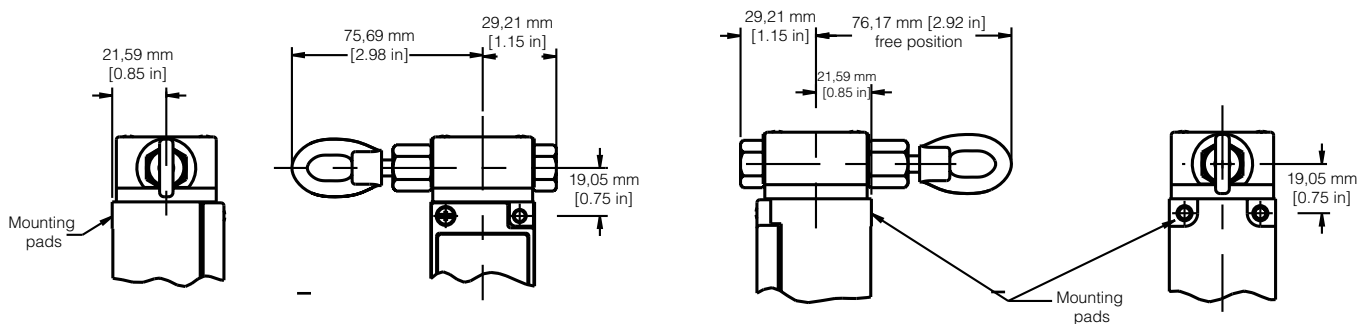
Figure 7. Limitless™ WLS Series with Eyelet Pull



P01

With Eyelet Pull Operating Head

assembled per modification code 3



P01

With Eyelet Pull Operating Head

assembled per modification code 4

P01

With Eyelet Pull Operating Head

assembled per modification code 5

Limitless™ WLS Series • Non-Contact Limit Switch

Honeywell's Limitless™ Wireless Non-Contact Switch provides non-contact presence/absence detection of a variety of different magnet styles and magnetic actuators installed on the end-users' product, machine, equipment, etc. The Limitless™ WLS Non-Contact Switch's design features an industrial grade reed switch. Customers can choose how the reed switch is oriented within the switch's plastic head, i.e., either top- or side-sensing. Combining this greater flexibility with proven harsh-duty packaging can result in increased efficiencies and improved safety for industrial machines, equipment, OEMs, and operators.

Potential Applications



- Machine tools
- Packaging machinery
- Lifts
- Ag/construction equipment
- Industrial machines



Table 7. WLS Series Non-Contact Switch Specifications

| Characteristic | Parameter |
|-------------------------------|---|
| Operating characteristics | operating point: 3,81 mm [0.15 in] min.; release point: 15,24 mm [0.60 in] max. with use of WMG1 magnet (included with WLS Series Non-Contact Switch) |
| Sensing target | top and side of head |
| Housing material | zinc body is phosphate treated and powder coated; 30 % glass-filled PBT plastic head |
| Radio | WPAN 802.15.4; 2.4 GHz |
| Communication agency approval | FCC 15.247: United States of America IC RSS 210: Canada ETSI, CE mark: European countries ACMA, C-TICK: Australia, New Zealand COFETEL: Mexico WPC: India ANATEL: Brazil SRRC: China KCC: South Korea |
| Antenna type | RP-SMA jack for direct or remote mount antenna options; omni-directional standard |
| Signal range* | In excess of 305 m [1000 ft] "line-of-sight"*** communication between Limitless™ switches and monitor |
| Battery | 3.6 Vdc Lithium Thionyl Chloride; 2/3 AA size (est. life = 1 year) Manufactured by Uniwell, p/n DEV-10-0009; Green Energy, p/n ER14335M; Honeywell, p/n WBT1 |
| Sealing | IP67; NEMA 1, 4, 12, 13 |
| EMC | Latest applicable standards: EN 300 328, V1.7.1; EN 61326-1 (2006); EN 301 489-1, V1.8.1; EN 301 489-17, V2.1.1 |
| Shock | IEC 60068-2-27; half sine, 10 g, 6 mS, 3 axis |
| Vibration | IEC 60068-2-6; 10-500Hz w/ 0,35 mm peak-to-peak, 58-500 Hz- 5g |
| Operating temperature | -40 °C to 85 °C [-40 °F to 185 °F] |

*Actual range may vary depending upon antennas, cables, and topography.

** "Line of sight" is not mandatory to fully utilize the Limitless™ technology and thus testing in the actual application will determine suitability.

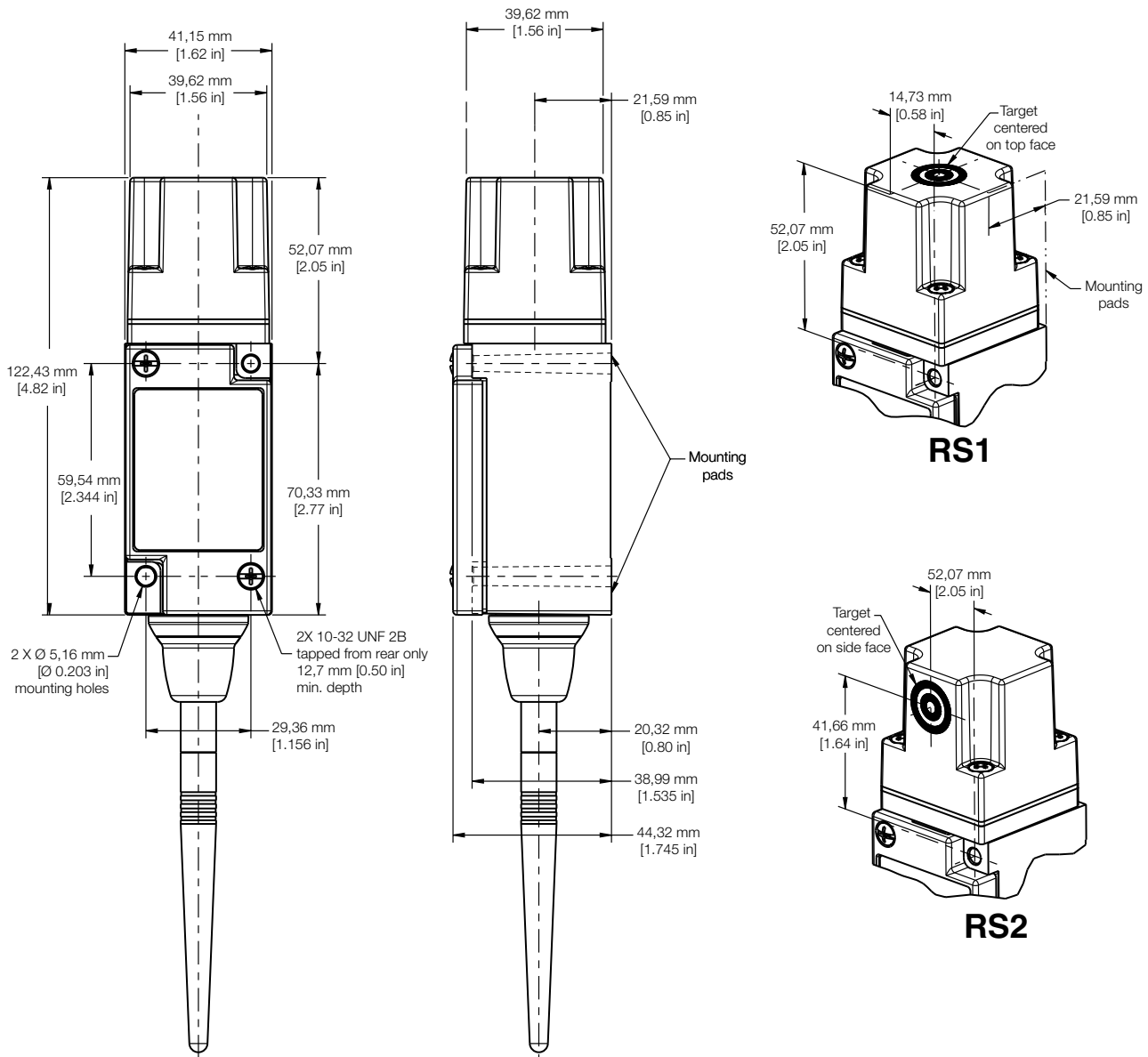
Limitless™ Wireless Heavy-Duty Limit Switches

Table 8. WLS Series Non-Contact Switch Standard Listings

| Photo | Part Number | Description |
|---|---------------------|---|
|  | WLS1A00AQRS1 | Limitless™ WLS Series Non-Contact Switch with no antenna (RP-SMA connector jack) and a top sensing target, for use in US, Canada, and Mexico |
|  | WLS1A00AQRS2 | Limitless™ WLS Series Non-Contact Switch with no antenna (RP-SMA connector jack) and a side sensing target, for use in US, Canada, and Mexico |
|  | WLS1A11AQRS1 | Limitless™ WLS Series Non-Contact Switch with a 0 dBi antenna and a top sensing target, for use in US, Canada, and Mexico |
|  | WLS1A11AQRS2 | Limitless™ WLS Series Non-Contact Switch with a 0 dBi antenna and a side sensing target, for use in US, Canada, and Mexico |
|  | WLS1A00BQRS1 | Limitless™ WLS Series Non-Contact Switch with no antenna (RP-SMA connector jack) and a top sensing target, for use in all other approved countries |
|  | WLS1A00BQRS2 | Limitless™ WLS Series Non-Contact Switch with no antenna (RP-SMA connector jack) and a side sensing target, for use in all other approved countries |
|  | WLS1A11BQRS1 | Limitless™ WLS Series Non-Contact Switch with a 0 dBi antenna and a top sensing target, for use in all other approved countries |
|  | WLS1A11BQRS2 | Limitless™ WLS Series Non-Contact Switch with a 0 dBi antenna and a side sensing target, for use in all other approved countries |
|  | WMG1 | Limitless™ magnets for use with WLS Non-Contact Switch only: Operating point 3,81 mm [0.15 in] min.; Release point 15,24 mm [0.60 in] max. |
|  | WMG2 | Limitless™ magnets for use with WLS Non-Contact Switch only: Operating point 11,43 mm [0.45 in] min.; Release point 54,4 mm [1.0 in] max. |

WLS Series

Figure 8. Limitless™ WLS Series Non-Contact Switch



Limitless™ WLS Series • Single Switch Adapter

Honeywell's Limitless™ Single Switch Adapter can convert almost any electromechanical switch with low-energy contacts (i.e., gold) into a wireless switch. A user-supplied electromechanical switch is simply wired to the WLS Series Single Switch Adapter via the internal or external connections to then become a wireless-enabled switch for use with the Limitless™ WPMM or WDRR Series of monitors/receivers. The Limitless™ Single Switch Adapter can be used in a variety of industrial wireless limit switch applications such as reed, contact, pressure, door actuator, etc. Honeywell offers numerous styles of low-energy contact switches. From sealed heavy-duty limits to small basics and subminiature switches, Honeywell can provide a low-energy solution that is compatible with the Limitless™ Single Switch Adapter. Contact your Honeywell representative or distributor for details.

Potential Applications



- Agricultural equipment
- Construction equipment
- Door actuation (up/down) switch
- Industrial machines
- Lifts
- Machine tools
- Packaging machinery
- Wireless warehouse operations
- Wireless electro-mechanical switch operations (i.e. pressure switch, reed switch, basic switch, and/or limit switch)



Table 9. WLS Series Single Switch Adapter Specifications

| Characteristic | Parameter |
|-------------------------------|--|
| Electromechanical switch | SPDT (Form C) switch with low-energy contacts (i.e., gold) capable of reliably controlling a 3.6 Vdc @ 30 mA electrical load to ensure proper operation |
| Electrical connections | 4-pin M12 micro-connector with three-pole, single keyway female receptacle Cable grip with internal screw connector Note: Maximum cable length 3 m [9.84 ft]. Cable diameter 8 mm [0.32 in] max./2,5 mm [0.10 in] min. |
| Housing material | zinc head is phosphate treated and powder coated; 30 % glass-filled PBT plastic head |
| Radio | WPAN 802.15.4; 2.4 GHz |
| Communication agency approval | FCC 15.247: United States of America • IC RSS 210: Canada ETSI, CE mark: European countries • ACMA, C-TICK: Australia, New Zealand COFETEL: Mexico • WPC: India ANATEL: Brazil • SRRC: China KCC: South Korea |
| Antenna type | RP-SMA jack for direct or remote mount antenna options; omni-directional standard |
| Signal range* | In excess of 305 m [1000 ft] "line-of-sight" communication between Limitless™ switches and monitor |
| Battery | 3.6 Vdc Lithium Thionyl Chloride; 2/3 AA size (est. life = 1 year) Manufactured by Uniwell, p/n DEV-10-0009; Green Energy, p/n ER14335M; Honeywell, p/n WBT1 |
| Sealing | IP67; NEMA 1, 4, 12, 13 |
| EMC | Latest applicable standards: EN 300 328, V1.7.1; EN 61326-1 (2006); EN 301 489-1, V1.8.1; EN 301 489-17, V2.1.1 |
| Shock | IEC 60068-2-27; half sine, 10 g, 6 mS, 3 axis |
| Vibration | IEC 60068-2-6; 10-500Hz w/ 0,35 mm peak-to-peak, 58-500 Hz - 5g |
| Operating temperature | -40 °C to 85 °C [-40 °F to 185 °F] |

*Actual range may vary depending upon antennas, cables, and topography.

** "Line of sight" is not mandatory to fully utilize the Limitless™ technology and thus testing in the actual application will determine suitability.

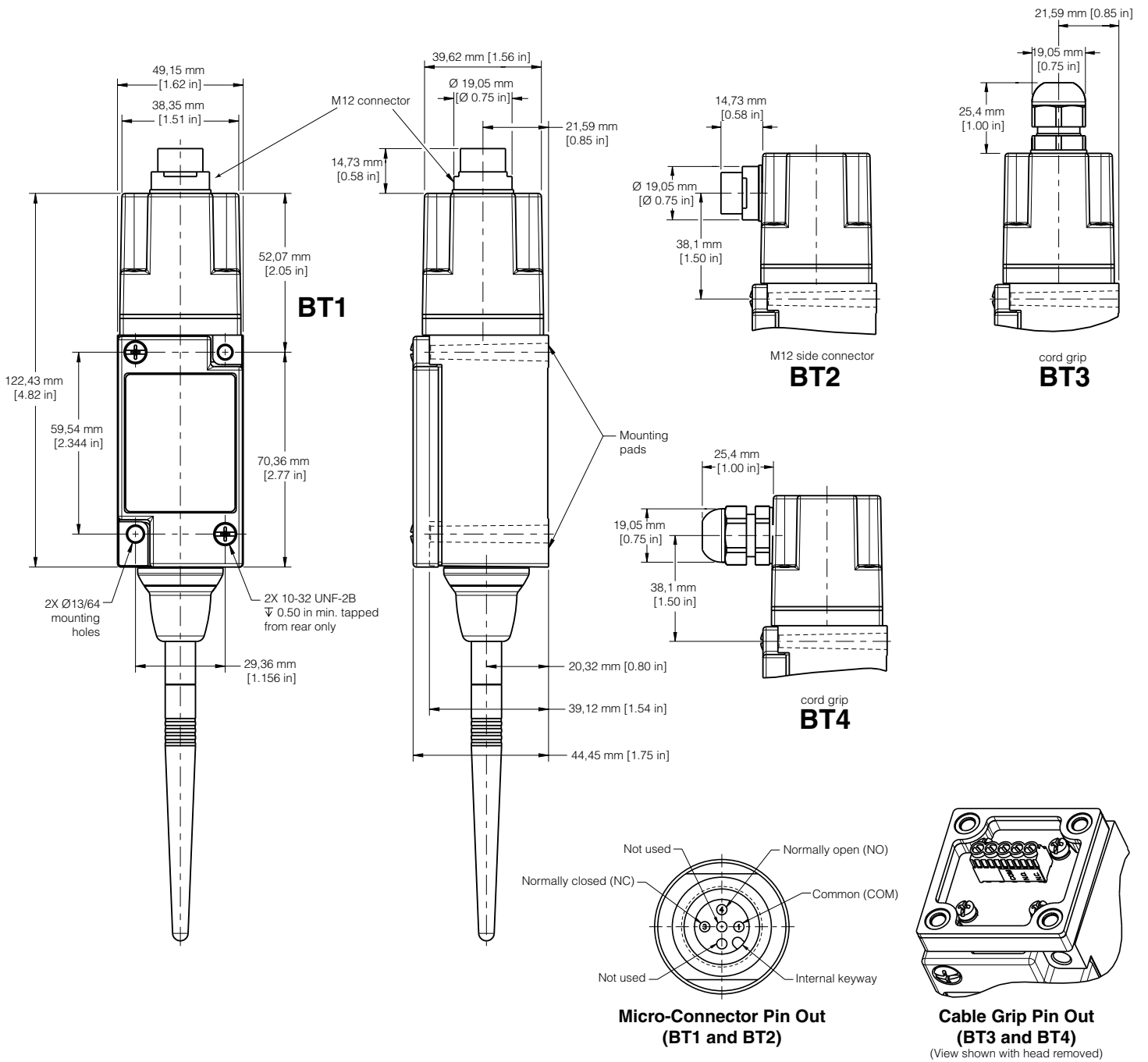
WLS Series

Table 10. WLS Series Single Switch Adapter Standard Listings

| Photo | Part Number | Description |
|---|---------------------|--|
|  | WLS1A00AQBT1 | Limitless™ WLS Series Single Switch Adapter, no antenna, internal battery with M12 micro-connector on top of head for use in US, Canada, and Mexico |
| | WLS1A00BQBT1 | Limitless™ WLS Series Single Switch Adapter, no antenna, internal battery with M12 micro-connector on top of head for use in all other approved countries |
|  | WLS1A02AQBT1 | Limitless™ WLS Series Single Switch Adapter, 2.2 dBi tilt/swivel antenna, internal battery with M12 micro-connector on top of head for use in US, Canada, and Mexico |
| | WLS1A02BQBT1 | Limitless™ WLS Series Single Switch Adapter, 2.2 dBi tilt/swivel antenna, internal battery with M12 micro-connector on top of head for use in all other approved countries |
|  | WLS1A11AQBT1 | Limitless™ WLS Series Single Switch Adapter, 0 dBi straight antenna, internal battery with M12 micro-connector on top of head for use in US, Canada, and Mexico |
| | WLS1A11BQBT1 | Limitless™ WLS Series Single Switch Adapter, 0 dBi straight antenna, internal battery with M12 micro-connector on top of head for use in all other approved countries |
|  | WLS1A00AQBT2 | Limitless™ WLS Series Single Switch Adapter, no antenna, internal battery with M12 side micro-connector on top of head for use in US, Canada, and Mexico |
| | WLS1A02AQBT2 | Limitless™ WLS Series Single Switch Adapter, 2.2 dBi tilt/swivel antenna, internal battery with M12 side micro-connector on top of head for use in US, Canada, and Mexico |
| | WLS1A11AQBT2 | Limitless™ WLS Series Single Switch Adapter, 0 dBi straight antenna, internal battery with M12 side micro-connector on top of head for use in US, Canada, and Mexico |
|  | WLS1A00AQBT3 | Limitless™ WLS Series Single Switch Adapter, no antenna, internal battery with cable grip on top of head for use in US, Canada, and Mexico |
| | WLS1A00BQBT3 | Limitless™ WLS Series Single Switch Adapter, no antenna, internal battery with cable grip on top of head for use in all other approved countries |
|  | WLS1A02AQBT3 | Limitless™ WLS Series Single Switch Adapter, 2.2 dBi tilt/swivel antenna, internal battery with cable grip on top of head for use in US, Canada, and Mexico |
| | WLS1A02BQBT3 | Limitless™ WLS Series Single Switch Adapter, 2.2 dBi tilt/swivel antenna, internal battery with cable grip on top of head for use in all other approved countries |
|  | WLS1A11AQBT3 | Limitless™ WLS Series Single Switch Adapter, 0 dBi straight antenna, internal battery with cable grip on top of head for use in US, Canada, and Mexico |
| | WLS1A11BQBT3 | Limitless™ WLS Series Single Switch Adapter, 0 dBi straight antenna, internal battery with cable grip on top of head for use in all other approved countries |
|  | WLS1A00AQBT4 | Limitless™ WLS Series Single Switch Adapter, no antenna, internal battery with cable grip on side of head for use in US, Canada, and Mexico |
| | WLS1A02AQBT4 | Limitless™ WLS Series Single Switch Adapter, 2.2 dBi tilt/swivel antenna, internal battery with cable grip on side of head for use in all other approved countries |
| | WLS1A11AQBT4 | Limitless™ WLS Series Single Switch Adapter, 0 dBi straight antenna, internal battery with cable grip on side of head for use in US, Canada, and Mexico |

Limitless™ Wireless Heavy-Duty Limit Switches











Figure 9. Limitless™ WLS Series Single Switch Adapter



WLS Series

Table 11. Antenna Listings/Order Code Specifications

Antennas can be ordered with the Limitless™ Wireless switches by inserting the **Antenna Type Code** into the part number as shown in the nomenclature. Also, switches can be ordered without antennas, by using the “00” Antenna Type Code in the part number. Antennas may also be ordered separately using the **Part Numbers** below.

| | Part Number (if ordered separately) | Antenna Type Code (if ordered with a wireless switch) | | Antenna Design | Antenna Gain (dBi) | Connector/ Mounting | Dimensions |
|---|--|--|--|-------------------------|--------------------|-----------------------------|--|
|  | WAN01RSP | 01 | | straight | 2.2 | RP-SMA plug/direct mount | Ø 9,91 mm x 112,78 mm L [Ø 0.39 in x 4.44 in L] |
|  | WAN02RSP | 02 | | tilt/swivel | 2.2 | RP-SMA plug/direct mount | Ø 9,91 mm x 112,78 mm L [Ø 0.39 in x 4.44 in L] |
|  | WAN03RSP | 03 | | flat | 3.0 | RP-SMA plug/adhesive mount | Ø 7,87 mm x 22,1 mm W x 4,57 mm D [Ø 0.31 in x 0.87 in W x 0.18 in D] 3 m [9 ft] cable |
|  | WAN04RSP* | 04** with a WAMM100RSP-005 base with 1,52 m [5 ft] of cable | 05** with a WAMM100RSP-010 base with 3,05 m [10 ft] of cable | tilt/swivel | 5.5 | RP-SMA plug/direct mount | Ø 12,7 mm x 208,28 mm L [Ø 0.50 in x 8.20 in L] |
|  | WAN05RSP* | 06** with a WAMM100RSP-005 base with 1,52 m [5 ft] of cable | 07** with a WAMM100RSP-010 base with 3,05 m [10 ft] of cable | tilt/swivel | 9.0 | RP-SMA plug/direct mount | Ø 12,7 mm x 384,05 mm L [Ø 0.50 in x 15.12 in L] |
|  | WAN06RNJ* | 08** with a WCA200RNPRSP-002 coax cable assembly 0,682 m [2 ft] | 09** with a WCA200RNPRSP-010 coax cable assembly 3,05 m [10 ft] | straight | 8.0 | RP-N jack/bracket | Ø 33,5 mm x 427,9 mm L [Ø 1.32 in x 16.85 in L] |
|  | WAN07RSP | 11 | | straight | 0.0 | RP-SMA plug/direct mount | Ø 8,0 mm x 30 mm L [Ø 0.32 in x 1.18 in L] |
|  | WAN09RSP | - | | low profile mobile | 3.0 | RP-SMA plug/magnetic | Ø 76,2 mm x 115 mm L [Ø 3.0 in x 4.54 in L] 4,57 m [15 ft] cable |
|  | WAN10RSP | - | | straight | 5.0 | RP-SMA plug/magnetic | Ø 76,2 mm x 230,1 mm L [Ø 3.0 in x 9.06 in L] 1,52 m [5 ft] cable |
|  | WAN11RSP* | - | | low profile mobile dome | 4.0 | RP-SMA plug/thru-hole screw | Ø 39 mm x 42,4 mm L [Ø 1.54 in x 1.67 in L] |

* Not allowed for use with Country Code “B” Limitless™ products

** See Tables 4 and 12 for accessory descriptions

Limitless™ Wireless Heavy-Duty Limit Switches

ACCESSORIES

Table 12. Cable and Coax Accessories












| Photo | Part Number | Description |
|---|------------------|--|
|  | WCA200RNPRSP-002 | Limitless™ Series wireless cable assembly wth 200 Series cable, 2 ft length, reverse polarity N plug to reverse polarity SMA plug, use only with WAN06RNJ antenna |
|  | WCA200RNPRSP-010 | Limitless™ Series wireless cable assembly wth 200 Series cable, 10 ft length, reverse polarity N plug to reverse polarity SMA plug, use only with WAN06RNJ antenna |
|  | WCA200RNJRSP-002 | Limitless™ Series wireless cable assembly wth 200 Series cable, 2 ft length, reverse polarity SMA jack to reverse polarity SMA plug |
|  | WCA200RNJRSP-005 | Limitless™ Series wireless cable assembly wth 200 Series cable, 5 ft length, reverse polarity SMA jack to reverse polarity SMA plug |
|  | WCA200RNJRSP-010 | Limitless™ Series wireless cable assembly wth 200 Series cable, 10 ft length, reverse polarity SMA jack to reverse polarity SMA plug |
|  | WCA200RNJRSP-015 | Limitless™ Series wireless cable assembly wth 200 Series cable, 15 ft length, reverse polarity SMA jack to reverse polarity SMA plug |
|  | WCA200RNJRSP-020 | Limitless™ Series wireless cable assembly wth 200 Series cable, 20 ft length, reverse polarity SMA jack to reverse polarity SMA plug |

Table 13. Base Accessories

| Photo | Part Number | Description |
|---|----------------|---|
|  | WAMM100RSP-005 | Magnetic antenna base with 1,52 m [5 ft] of cable |
|  | WAMM100RSP-010 | Magnetic antenna base with 3,05 m [10 ft] of cable |
|  | WPB1 | WPMM Wireless panel mount reciever mounting bracket |
|  | WPR1 | WPMM panel mount retainer |

WLS Series

This Honeywell datasheet supports the following Limitless™ WLS Series Listings

| | | |
|----------------|----------------|----------------|
| WLS1A00AA | WLS1A02AD | WLS1A00BA4M |
| WLS1A00AA1A | WLS1A02AE | WLS1A00BC |
| WLS1A00AA1B | WLS1A02AJ7M | WLS1A00BD |
| WLS1A00AA2A | WLS1A02AN | WLS1A00BE |
| WLS1A00AA2B | WLS1A02AN1A | WLS1A00BN |
| WLS1A00AA4M | WLS1A02AQB1 | WLS1A00BQ-4P01 |
| WLS1A00AA4N | WLS1A02AQB2 | WLS1A00BQB1 |
| WLS1A00AC | WLS1A02AQB3 | WLS1A00BQB3 |
| WLS1A00AD | WLS1A02AQB4 | WLS1A00BQRS1 |
| WLS1A00AE | WLS1A02AQRS1 | WLS1A00BQRS2 |
| WLS1A00AJ7A | WLS1A02AQRS2 | WLS1A01BA1A |
| WLS1A00AJ7M | WLS1A11AA | WLS1A01BA1B |
| WLS1A00AJ7N | WLS1A11AA1A | WLS1A01BA2A |
| WLS1A00AN | WLS1A11AA1D | WLS1A01BA2B |
| WLS1A00AN1A | WLS1A11AA2A | WLS1A01BC |
| WLS1A00AQ-4P01 | WLS1A11AA2A-3 | WLS1A01BD |
| WLS1A00AQB1 | WLS1A11AA2D | WLS1A01BN |
| WLS1A00AQB2 | WLS1A11AA2J | WLS1A02BA1A |
| WLS1A00AQB3 | WLS1A11AA2K | WLS1A02BA1B |
| WLS1A00AQB4 | WLS1A11AA4N | WLS1A02BA2A |
| WLS1A00AQRS1 | WLS1A11AC | WLS1A02BA2B |
| WLS1A00AQRS2 | WLS1A11AD | WLS1A02BA4M |
| WLS1A01AA1A | WLS1A11AE | WLS1A02BC |
| WLS1A01AA1B | WLS1A11AJ7A | WLS1A02BD |
| WLS1A01AA1D | WLS1A11AN1A | WLS1A02BE |
| WLS1A01AA2A | WLS1A11AQ-4P01 | WLS1A02BN |
| WLS1A01AA2B | WLS1A11AQB1 | WLS1A02BQB1 |
| WLS1A01AA2D | WLS1A11AQB2 | WLS1A02BQB3 |
| WLS1A01AA4M | WLS1A11AQB3 | WLS1A02BQRS1 |
| WLS1A01AA4N | WLS1A11AQB4 | WLS1A02BQRS2 |
| WLS1A01AC | WLS1A11AQ-P01 | WLS1A11BA2K |
| WLS1A01AD | WLS1A11AQ-P02 | WLS1A11BD |
| WLS1A01AN | WLS1A11AQRS1 | WLS1A11BE |
| WLS1A02AA1A | WLS1A11AQRS2 | WLS1A11BQ-4P01 |
| WLS1A02AA1B | WLS1A11AV | WLS1A11BQB1 |
| WLS1A02AA2A | WLS1A00BA | WLS1A11BQB3 |
| WLS1A02AA2B | WLS1A00BA1A | WLS1A11BQ-P01 |
| WLS1A02AA4M | WLS1A00BA1B | WLS1A11BQ-P02 |
| WLS1A02AA4N | WLS1A00BA2A | WLS1A11BQRS1 |
| WLS1A02AC | WLS1A00BA2B | WLS1A11BQRS2 |

ADDITIONAL INFORMATION

The following associated literature is available on the Honeywell web site at sensing.honeywell.com:

- Product installation instructions
- Product range guide
- Product brochure
- White Paper: Limitless™ Switches Offer Unlimited Benefits

WARNING

PERSONAL INJURY

DO NOT USE these products as safety or emergency stop devices or in any other application where failure of the product could result in personal injury.

Failure to comply with these instructions could result in death or serious injury.

WARNING

MISUSE OF DOCUMENTATION

- The information presented in this product sheet is for reference only. Do not use this document as a product installation guide.
- Complete installation, operation, and maintenance information is provided in the instructions supplied with each product.

Failure to comply with these instructions could result in death or serious injury.

WARRANTY/REMEDY

Honeywell warrants goods of its manufacture as being free of defective materials and faulty workmanship. Honeywell's standard product warranty applies unless agreed to otherwise by Honeywell in writing; please refer to your order acknowledgement or consult your local sales office for specific warranty details. If warranted goods are returned to Honeywell during the period of coverage, Honeywell will repair or replace, at its option, without charge those items it finds defective. **The foregoing is buyer's sole remedy and is in lieu of all other warranties, expressed or implied, including those of merchantability and fitness for a particular purpose. In no event shall Honeywell be liable for consequential, special, or indirect damages.**

While we provide application assistance personally, through our literature and the Honeywell website, it is up to the customer to determine the suitability of the product in the application.

Specifications may change without notice. The information we supply is believed to be accurate and reliable as of this printing. However, we assume no responsibility for its use.

Find out more

Honeywell serves its customers through a worldwide network of sales offices, representatives and distributors. For application assistance, current specifications, pricing or name of the nearest Authorized Distributor, contact your local sales office.

To learn more about Honeywell's sensing and control products, call **+1-815-235-6847** or **1-800-537-6945**, visit **sensing.honeywell.com**, or e-mail inquiries to **info.sc@honeywell.com**

Sensing and Control
Honeywell
1985 Douglas Drive North
Golden Valley, MN 55422
honeywell.com

The Honeywell logo is displayed in a bold, red, sans-serif font.

Mouser Electronics

Authorized Distributor

Click to View Pricing, Inventory, Delivery & Lifecycle Information:

Honeywell:

[WLS1A02BQBT3](#) [WLS1A00BQ-4P01](#) [WLS1A02AQBT1](#) [WLS1A02BQBT1](#) [WLS1A00BQBT1](#) [WLS1A00BQBT3](#)
[WLS1A11BQ-4P01](#) [WLS1A02AQBT3](#) [WLS1A11AQ-4P01](#) [WLS1A11BQBT3](#) [WLS1A00AQ-4P01](#) [WLS1A11BQBT1](#)
[WLS1A00BQRS2](#) [WLS1A00BQRS1](#) [WLS1A00AQRS1](#) [WLS1A11AQRS2](#) [WLS1A11BQRS2](#) [WLS1A00AQRS2](#)
[WLS1A11AQRS1](#) [WLS1A11BQRS1](#)