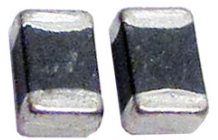


# Multilayer Ferrite Chip Bead (High Current)



1.00 x 0.50 x 0.50mm

ACML-0402HC



RoHS/RoHS II Compliant

## FEATURES:

- Multilayer monolithic structure yields high reliability
- Unique terminal electrode design ensures high rated current
- High impedance over a wide frequency range

## APPLICATIONS:

- Noise suppression for computers and peripheral devices, DVD cameras, LCD TVs, communication equipments, OA equipments, etc.
- Reduces noise in ultra high speed circuits as well

## STANDARD SPECIFICATIONS:

**Operating Temperature:** -55°C ~ +125°C

**Storage Temperature:** -55°C to +125°C

Part Number ACML-0402HC- Impedance Code	Impedance	Frequency	DC resistance	Rated Current
Units	$\Omega \pm 25\%$	MHz	$\Omega$ max	mA max
Symbol	Z	F	R <sub>DC</sub>	I <sub>R</sub>
ACML -0402HC -310	31	100	0.05	1700
ACML -0402HC -600	60	100	0.08	1500
ACML -0402HC -700	70	100	0.10	1200
ACML -0402HC -121	120	100	0.10	1200
ACML -0402HC -221	220	100	0.16	900
ACML -0402HC -301	300	100	0.20	600

## Test Conditions and Equipments

**I<sub>R</sub>:** Rated current applied when the chip surface temperature rise just 40°C against chip surface temperature.  
Electric power supplier, Electric current meter, Thermometer.

**Z:** Impedance Analyzer HP4291 or equivalent, 50mV.

**DCR:** LCR Meter HP4263A or equivalent

## OPTIONS AND PART IDENTIFICATION:

ACML -0402HC -  -

**Impedance Code**  
Please refer to the  
Electrical Specification  
table

**Packaging**  
T: Tape and Reel  
(10kpcs / reel)

# Multilayer Ferrite Chip Bead (High Current)

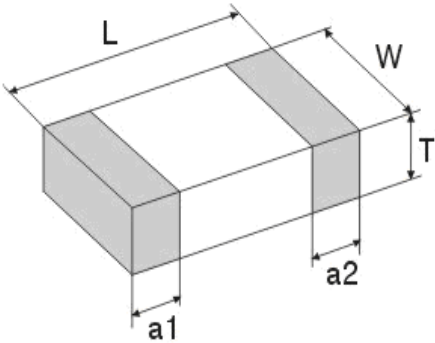


1.00 x 0.50 x 0.50mm

ACML-0402HC

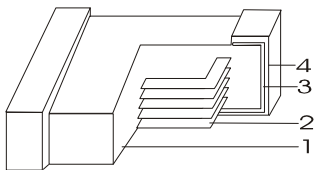
RoHS/RoHS II Compliant

## OUTLINE DIMENSIONS:



L	W	T	a1, a2
1.00±0.15	0.50±0.15	0.50±0.15	0.25±0.10

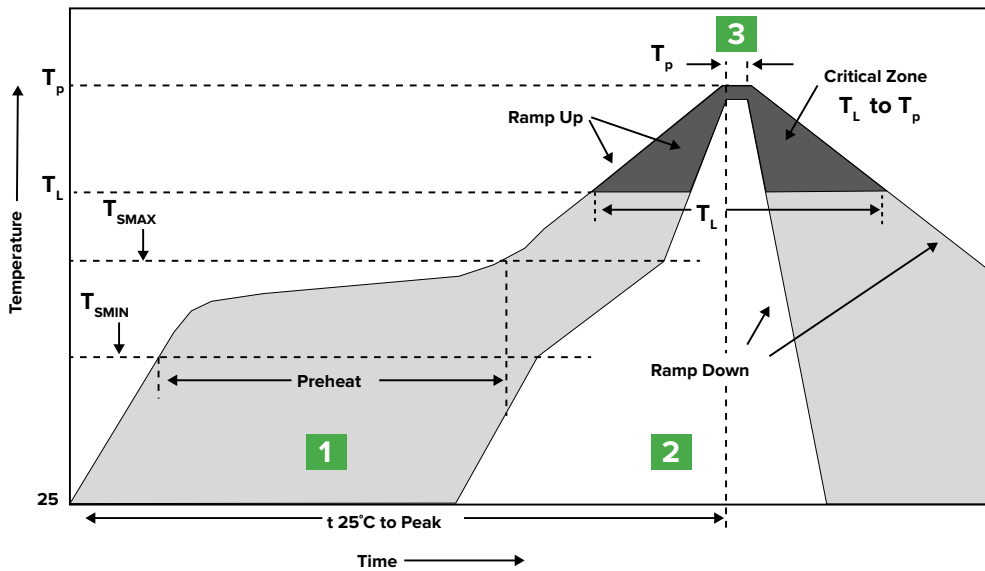
## Materials



	Part Name	Material
1	Base Material	Ferrite
2	Internal Conductor	Ag
3	Terminal Electrode	Ag
4	Terminal Electrode	Ni-Sn

Dimension: mm

## REFLOW PROFILE



Zone	Description	Temperature	Time
1	Preheat	$T_{SMIN} \sim T_{SMAX}$ 150°C ~ 200°C	60 ~ 120 sec.
2	Reflow	$T_L$ 217°C	60 ~ 90 sec.
3	Peak heat	$T_P$ 260°C	10 sec. MAX

# Multilayer Ferrite Chip Bead (High Current)



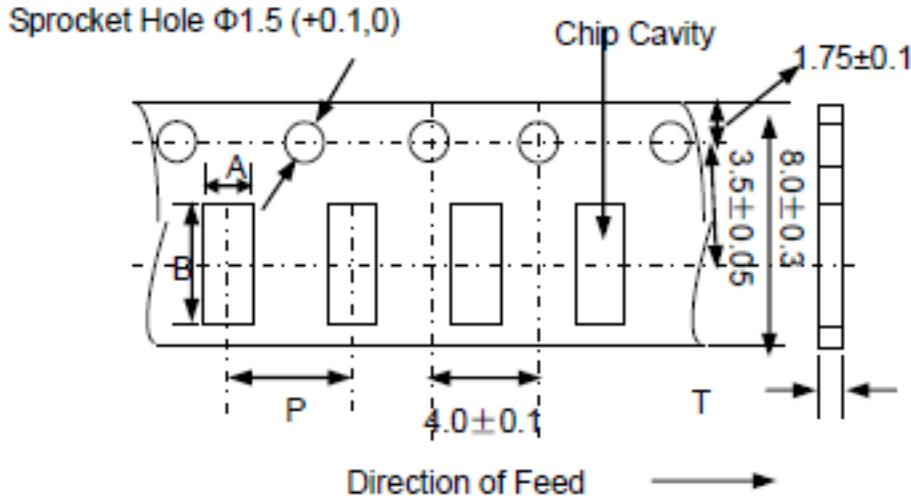
1.00 x 0.50 x 0.50mm

ACML-0402HC

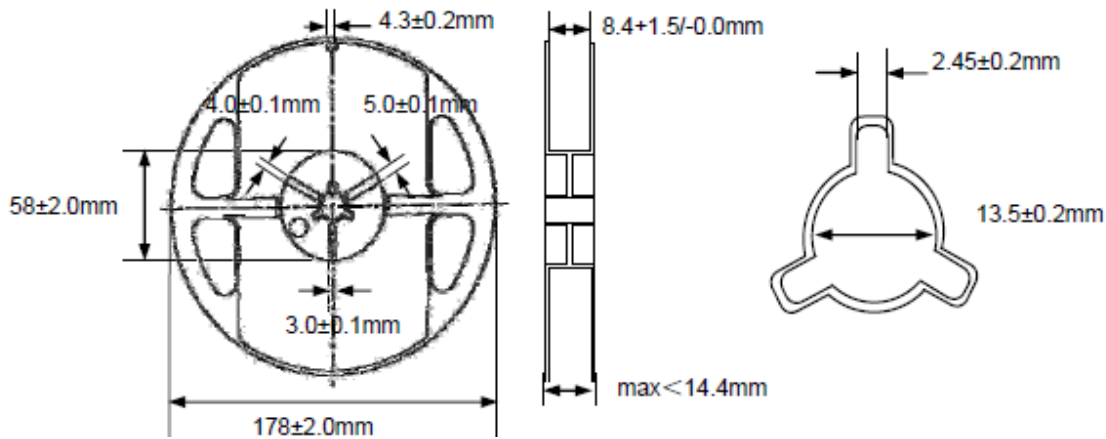
 RoHS/RoHS II Compliant

## TAPE & REEL:

T= tape and reel (10,000 pcs/reel)



T	0.80 max
A	$0.65 \pm 0.2$
B	$1.15 \pm 0.2$
P	$2.0 \pm 0.1$



Dimension: mm

**ATTENTION:** Abracon LLC's products are COTS – Commercial-Off-The-Shelf products; suitable for Commercial, Industrial and, where designated, Automotive Applications. Abracon's products are not specifically designed for Military, Aviation, Aerospace, Life-dependant Medical applications or any application requiring high reliability where component failure could result in loss of life and/or property. For applications requiring high reliability and/or presenting an extreme operating environment, written consent and authorization from Abracon LLC is required. Please contact Abracon LLC for more information.



1501 Hidden Creek Lane Spicewood TX 78751  
 Phone: 949-546-8000 | Fax: 949-546-8001  
 For terms and conditions of sales visit:  
[www.abracon.com](http://www.abracon.com)

REVISED: 10/03/2018

ABRACON IS  
 ISO9001-2015  
 CERTIFIED