



Sigma | Sigma SC

TE Internal #: 1624001-3

Radio Frequency Inductor, 100  $\mu$ H, 149 mA, 8 ohm DC Resistance, 10 %, Through Hole - Solder, Axial-Leaded, Ammo Packed, Length 7 mm [.275 in], Sigma SC

[View on TE.com >](#)

Passive Components > Inductors > High Frequency & RF Inductors



Inductor Type: **Radio Frequency**

Inductance: **100  $\mu$ H**

Current Rating (Max): **149 mA**

DC Resistance: **8  $\Omega$**

Inductor Quality Factor: **50**

**Features**

**Product Type Features**

Inductor Type	Radio Frequency
Element Type	Wire Wound

**Electrical Characteristics**

Self Resonant Frequency	.013 GHz
Inductance	100 $\mu$ H
Current Rating (Max)	149 mA
DC Resistance	8 $\Omega$
Passive Component Tolerance	10 %

**Body Features**

Lead Type	Axial-Leaded
-----------	--------------

**Termination Features**

Termination Method to PCB	Through Hole - Solder
---------------------------	-----------------------

**Dimensions**

Product Diameter	2.8 mm[.11 in]
Product Length	7 mm[.275 in]

**Usage Conditions**

Operating Temperature Range	-55 – 100 $^{\circ}$ C
-----------------------------	------------------------



### Packaging Features

Packaging Method	Ammo Packed
------------------	-------------

### Other

Inductor Quality Factor	50
-------------------------	----

### Product Compliance

[For compliance documentation, visit the product page on TE.com>](#)

EU RoHS Directive 2011/65/EU	Compliant
EU ELV Directive 2000/53/EC	Compliant
China RoHS 2 Directive MIIT Order No 32, 2016	No Restricted Materials Above Threshold
EU REACH Regulation (EC) No. 1907/2006	Current ECHA Candidate List: JUNE 2024 (241) Candidate List Declared Against: JUNE 2023 (235) Does not contain REACH SVHC
Halogen Content	BFR/CFR/PVC Free, but Br/Cl >900 ppm in other sources.
Solder Process Capability	Wave solder capable to 265°C

#### Product Compliance Disclaimer

This information is provided based on reasonable inquiry of our suppliers and represents our current actual knowledge based on the information they provided. This information is subject to change. The part numbers that TE has identified as EU RoHS compliant have a maximum concentration of 0.1% by weight in homogenous materials for lead, hexavalent chromium, mercury, PBB, PBDE, DBP, BBP, DEHP, DIBP, and 0.01% for cadmium, or qualify for an exemption to these limits as defined in the Annexes of Directive 2011/65/EU (RoHS2). Finished electrical and electronic equipment products will be CE marked as required by Directive 2011/65/EU. Components may not be CE marked. Additionally, the part numbers that TE has identified as EU ELV compliant have a maximum concentration of 0.1% by weight in homogenous materials for lead, hexavalent chromium, and mercury, and 0.01% for cadmium, or qualify for an exemption to these limits as defined in the Annexes of Directive 2000/53/EC (ELV). Regarding the REACH Regulation, the information TE provides on SVHC in articles for this part number is based on the latest European Chemicals Agency (ECHA) 'Guidance on requirements for substances in articles' posted at this URL: <https://echa.europa.eu/guidance-documents/guidance-on-reach>

### Compatible Parts

 <p>TE Part # 1624009-2 SC30-10-2513-10 1UH AMMO 1000</p>	 <p>TE Part # 1624000-3 SC30-10-2525-10 10UH AMMO 1000</p>	 <p>TE Part # 1624018-1 SC30-10-2518-10 2.7UH AMMO 1000</p>	 <p>TE Part # 1624048-2 SC30-10-2505-10 0.22UH AMMO 1000</p>
--	---	--	---




TE Part # 1624013-4  
SC30-10-2529-10 22UH AMMO 1000



TE Part # 1624052-2  
SC30-10-2509-10 0.47UH AMMO 1000



TE Part # 1624005-3  
SC30-10-2527-10 15UH AMMO 1000



TE Part # 1623937-3  
SC10-10-0525-10 10UH AMMO 1000



TE Part # 1624002-3  
SC30-10-2549-10 1000UH AMMO 1000



TE Part # 1624017-2  
SC30-10-2517-10 2.2UH AMMO 1000



TE Part # 1624023-2  
SC30-10-2519-10 3.3UH AMMO 1000



TE Part # 1624027-2  
SC30-10-2521-10 4.7UH AMMO 1000



TE Part # 1624044-2  
SC30-10-2501-10 0.1UH AMMO 1000



TE Part # 1624046-2  
SC30-10-2503-10 0.15UH AMMO 1000



TE Part # 5-1624055-5  
SC0914 1000uH 10%



TE Part # 1624006-2  
SC30-10-2539-10 150UH AMMO 1000



TE Part # 1624011-1  
SC30-10-2515-10 1.5UH AMMO 1000



TE Part # 1624019-2  
SC30-10-2531-10 33UH AMMO 1000

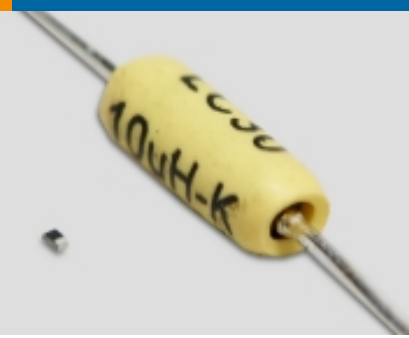


TE Part # 1624025-3  
SC30-10-2533-10 47UH AMMO 1000

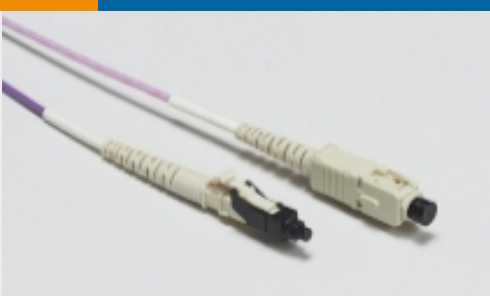


TE Part # 1624026-1  
SC30-10-2545-10 470UH AMMO 1000


Also in the Series | **Sigma SC**




High Frequency & RF Inductors(82)



LC Connectors(3)



Printable Tubing(9)



SC Connectors(5)

Customers Also Bought



TE Part #2-5499206-1  
A/L UNIV HDR 10P VERT LG LAT B



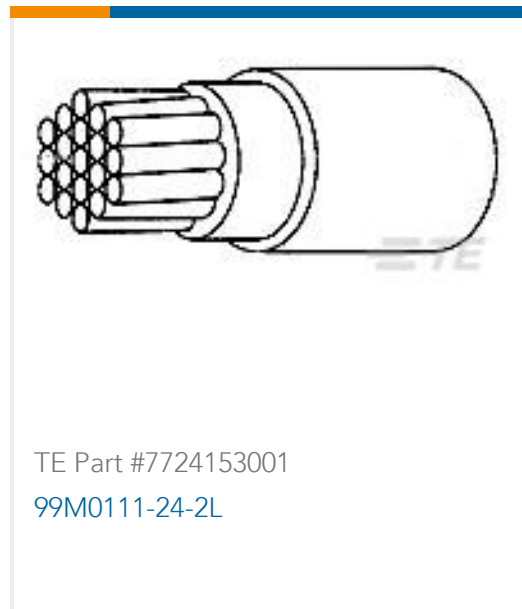
TE Part #3-1625931-0  
MCU 4K7 10% 1\*PL



TE Part #1617030-9  
HFW1201D00 = HFW 1/2 SIZE RELA



TE Part #1SNK900001R0000  
BAM4



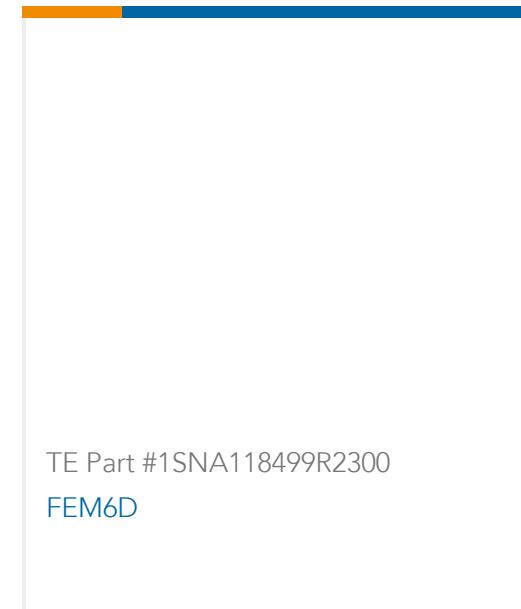
TE Part #7724153001  
99M0111-24-2L



TE Part #1SNA165113R1600  
M4/6.P



TE Part #3-1879274-5  
RP 2A 1K5 0.1% 15PPM 1K RL



TE Part #1SNA118499R2300  
FEM6D



TE Part #1SNA173520R2200  
BJM6D-10

## Documents

### CAD Files

3D PDF

3D

Customer View Model

[ENG\\_CVM\\_CVM\\_1624001-3\\_BA.2d\\_dxf.zip](#)

English

Customer View Model

[ENG\\_CVM\\_CVM\\_1624001-3\\_BA.3d\\_igs.zip](#)

English

Customer View Model

[ENG\\_CVM\\_CVM\\_1624001-3\\_BA.3d\\_stp.zip](#)

English

By downloading the CAD file I accept and agree to the [Terms and Conditions](#) of use.

### Datasheets & Catalog Pages

[1309350\\_PASSIVE\\_COMPONENT](#)

English

[Axial Leaded Power Inductors - Type SC10, SC15, SC30 Series - Tyco Electronics Passives](#)

English

SC30101KT

Radio Frequency Inductor, 100  $\mu$ H, 149 mA, 8 ohm DC Resistance, 10 %, Through Hole - Solder, Axial-Leaded, Ammo Packed, Length 7 mm [.275 in], Sigma SC

