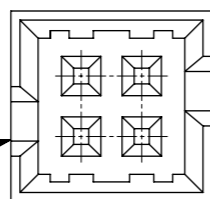


RECOMMENDED PCB PATTERN

4 CKT:  
BOTH SIDE WITH POLARIZATION SLOT  
6 CKT & ABV:  
ONLY 1 SIDE WITH POLARIZATION SLOT



4 CKT TOP VIEW

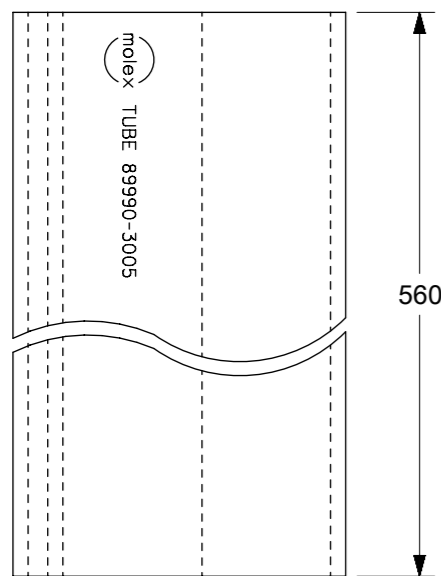
PEG OPTION	P/N WITH CAP IN TAPE & REEL		P/N WITH CAP IN TUBE		CKT SIZE	DIMENSION			
	15µin Gold	30µin Gold	15µin Gold	30µin Gold		A	B	C	D
NO	87832-0440	87832-0442	87832-0441	87832-0443	4	2.00	4.85	6.65	5.00
YES	87832-0640	87832-0642	87832-0641	87832-0643	6	4.00	6.85	8.65	7.00
YES	87832-0840	87832-0842	87832-0841	87832-0843	8	6.00	8.85	10.65	9.00
YES	87832-1040	87832-1042	87832-1041	87832-1043	10	8.00	10.85	12.65	11.00
YES	87832-1240	87832-1242	87832-1241	87832-1243	12	10.00	12.85	14.65	13.00
NO	---	87832-5242	---	87832-5243					

NOTES:

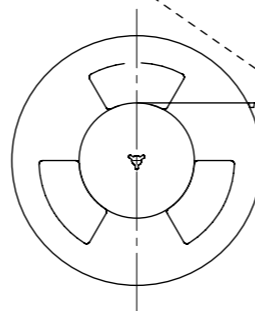
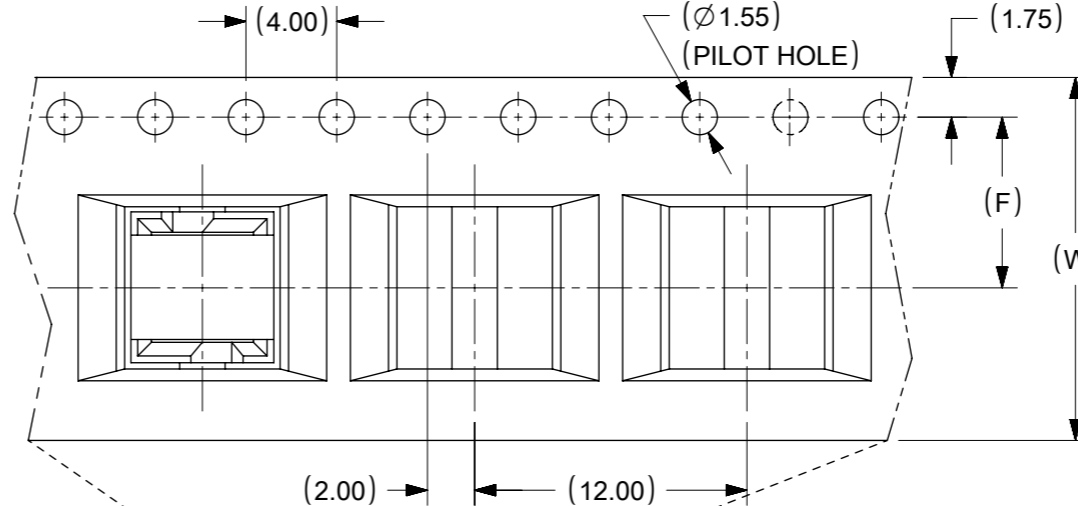
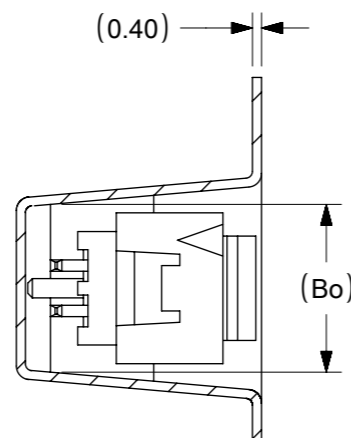
- FOR ILLUSTRATION PURPOSES, 8 CIRCUIT SIZE WAFER IS SHOWN.
- MATERIAL :  
HOUSING & CAP : 30% G.F., NYLON 46, UL94V-0, COLOR BLACK.  
PIN : 0.50mm SQ. PHOSPHOR BRONZE.
- PLATING :  
40, 41 - 0.38µm/15µin GOLD IN CONTACT AREA AND 1.88µm/75µin MIN. TIN IN SOLDER TAIL AREA OVER 1.27µm/50µin MIN. NICKEL OVERALL.  
42, 43 - 0.76µm/30µin GOLD IN CONTACT AREA AND 1.88µm/75µin MIN. TIN IN SOLDER TAIL AREA OVER 1.27µm/50µin MIN. NICKEL OVERALL.
- PIN PUSHOUT FORCE : 0.91kg MIN. IN EITHER DIRECTION.
- PRODUCT SPECIFICATION PS-87831-027 APPLIES.
- COPLANARITY IS TO BE MEASURED BY RESTING THE SOLDER TAIL ON A GAUGE SURFACE.
- CAP TO BE POSITION IN THE CENTER OF HEADER FOR PICK AND PLACE.
- CKT 4 & 6 HAS NO IDENTIFICATION TAG.
- THIS HEADER MATES WITH MOLEX:  
a) CRIMP RECEPTACLE HOUSING, 51110 SERIES WITH CRIMP TERMINAL, 50394 SERIES.  
b) 2mm MILLIGRID DUAL ROW IDT, 87568 SERIES.
- PARTS SHALL BE PACKED IN MOISTURE BAG WITH DESICCANT GEL.
- NO CENTRE POLARIZATION SLOT FOR CKT SIZE 4 AND 6.

SYMBOLS	THIS DRAWING CONTAINS INFORMATION THAT IS PROPRIETARY TO MOLEX ELECTRONIC TECHNOLOGIES, LLC AND SHOULD NOT BE USED WITHOUT WRITTEN PERMISSION		CURRENT REV DESC: ADDED BTB DIST.						
	DIMENSION UNITS	SCALE							
▽ = 0	MM	1:1			MGRID, SHROUDED HEADER W/PEG/CAP/LOCK FEATURES SMT, IN TUBE AND T&R				
▽ = 0	GENERAL TOLERANCES (UNLESS SPECIFIED)								
▽ = 0		MM	INCH			PRODUCT CUSTOMER DRAWING			
▽ = 0	4 PLACES	±	±						
▽ = 0	3 PLACES	±	±			DOCUMENT NUMBER: SD-87832-013 DOC TYPE: PSD DOC PART: 001 REVISION: A9			
▽ = 0	2 PLACES	±	0.15	±					
▽ = 0	1 PLACE	±	±			INITIAL REVISION: DRWN: ATSEE 2004/07/29 APPR: SKTOH 2004/08/05			
▽ = 0	0 PLACES	±	±						
▽ = 0	ANGULAR TOL	±	3.0°			MATERIAL NUMBER: SEE TABLE CUSTOMER: GENERAL MARKET SHEET NUMBER: 1 OF 3			
▽ = 0	DRAFT WHERE APPLICABLE MUST REMAIN WITHIN DIMENSIONS		THIRD ANGLE PROJECTION		DRAWING: A3-SIZE				

WITH CAP IN TUBE PACKAGING



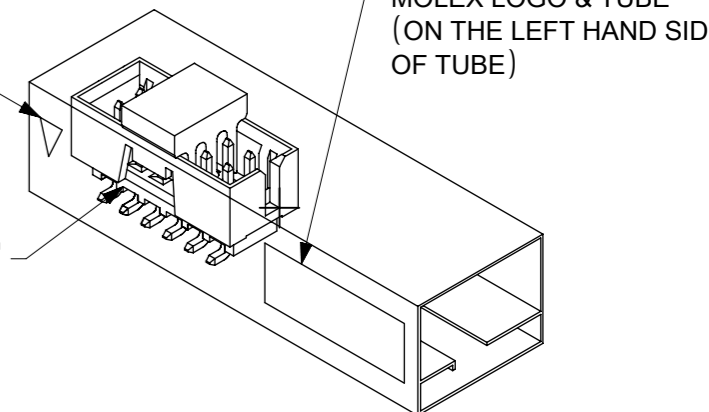
PART IN T&R FOR ILLUSTRATION PURPOSE ONLY



CUSTOMER PULL OUT DIRECTION

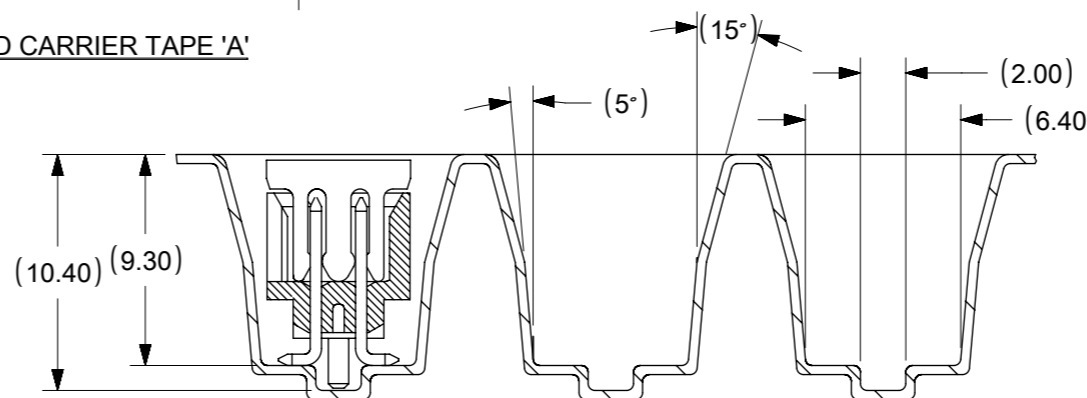
RED ARROW INDICATION

WINDOW FACING OUTWARDS



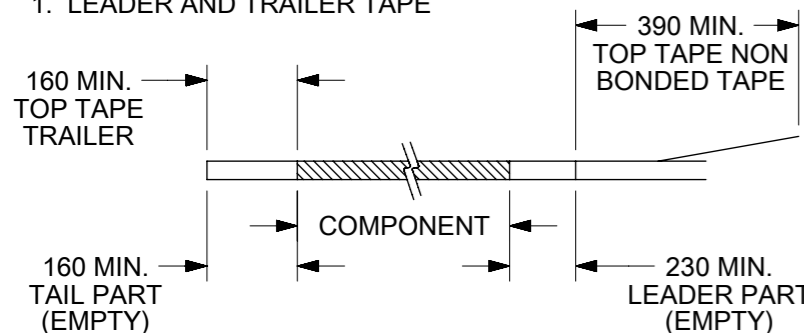
REF : ORIENTATION OF PART IN TUBE.  
(FOR THE REFERENCE OF PART/TUBE ASSEMBLY.)

EMBOSSED CARRIER TAPE 'A'



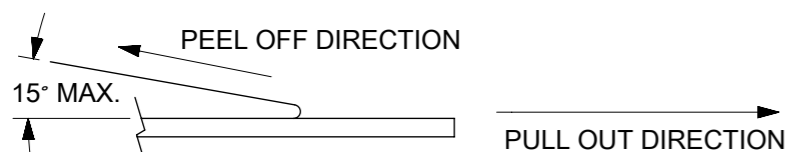
NOTES:

1. LEADER AND TRAILER TAPE



PULL OUT DIRECTION

2. PEELING OFF FORCE OF THE TOP TAPE: 20-80gf.  
(PEELING DIRECTION AS SHOWN IN FOLLOWING FIGURE)



3. PACKAGING STANDARD IS AS PER EIA-481.

PART NUMBER WITH CAP IN TAPE/REEL		CKT SIZE	EMBROSS TAPE PART NUMBER	TOP TAPE NUMBER	REEL NUMBER	(F)	(Bo)	(So)	(W)
87832-0440	87832-0442	4	89990-7601	89990-5602	89990-5709	7.50	7.15	-	16.00
87832-0640	87832-0642	6	89990-7752	89990-5603	89990-5710	11.50	9.15	-	24.00
87832-0840	87832-0842	8	89990-7753	89990-5603	89990-5710	11.50	11.05	-	24.00
87832-1040	87832-1042	10	89990-7754	89990-5603	89990-5710	11.50	13.05	-	24.00
87832-1240	87832-1242	12	89990-7755	89990-5604	89990-5711	14.20	15.15	28.40	32.00
---	87832-5242								

THIS DRAWING CONTAINS INFORMATION THAT IS PROPRIETARY TO MOLEX ELECTRONIC TECHNOLOGIES, LLC AND SHOULD NOT BE USED WITHOUT WRITTEN PERMISSION									
SYMBOLS		DIMENSION UNITS		SCALE		CURRENT REV DESC: ADDED BTB DIST.			
▽ = 0		MM		1:1		<b>molex</b> MGRID, SHROUDED HEADER W/PEG/CAP/LOCK FEATURES SMT, IN TUBE AND T&R PRODUCT CUSTOMER DRAWING EC NO: 619055 DRWN: HK02 2019/05/21 CHK'D: NMANE02 2019/07/09 APPR: MRAMAKRISHNA 2019/07/09 INITIAL REVISION: DRWN: ATSEE 2004/07/29 APPR: SKTOH 2004/08/05			
▽ = 0		GENERAL TOLERANCES (UNLESS SPECIFIED)							
▽ = 0		MM		INCH					
▽ = 0		4 PLACES ±		±					
▽ = 0		3 PLACES ±		±					
▽ = 0		2 PLACES ±		0.15 ±					
▽ = 0		1 PLACE ±		±					
▽ = 0		ANGULAR TOL ±		3.0°					
▽ = 0		DRAFT WHERE APPLICABLE MUST REMAIN WITHIN DIMENSIONS		THIRD ANGLE PROJECTION		DRAWING		SERIES	
▽ = 0				A3-SIZE		87832		MATERIAL NUMBER	
▽ = 0				SEE TABLE		CUSTOMER		GENERAL MARKET	
▽ = 0				SHEET NUMBER		2 OF 3			

**BOARD TO BOARD (BTB) DISTANCE**

HEADER	MATES WITH (RECEPTACLE)	BTB DIST.	PICTORIAL VIEW
87832	79107	8.14	
	78787	8.14	
	79108	8.14	
	79109	8.35	
	78788	8.35	

SYMBOLS		THIS DRAWING CONTAINS INFORMATION THAT IS PROPRIETARY TO MOLEX ELECTRONIC TECHNOLOGIES, LLC AND SHOULD NOT BE USED WITHOUT WRITTEN PERMISSION		CURRENT REV DESC: ADDED BTB DIST.	
▽ = 0	mm	SCALE	1:1		
▽ = 0	GENERAL TOLERANCES (UNLESS SPECIFIED)				
▽ = 0		MM	INCH	MGRID, SHROUDED HEADER	
▽ = 0	4 PLACES ±			W/PEG/CAP/LOCK FEATURES SMT, IN TUBE AND T&R	
▽ = 0	3 PLACES ±			PRODUCT CUSTOMER DRAWING	
▽ = 0	2 PLACES ± 0.15			DOCUMENT NUMBER	
▽ = 0	1 PLACE ±			SD-87832-013	
▽ = 0	0 PLACES ±			DOC TYPE	DOC PART
▽ = 0	ANGULAR TOL ± 3.0°			PSD	001
▽ = 0	DRAFT WHERE APPLICABLE MUST REMAIN WITHIN DIMENSIONS	THIRD ANGLE PROJECTION	DRAWING	SERIES	REVISION
▽ = 0			A3-SIZE	87832	A9
				MATERIAL NUMBER	CUSTOMER
				GENERAL MARKET	SHEET NUMBER
					3 OF 3