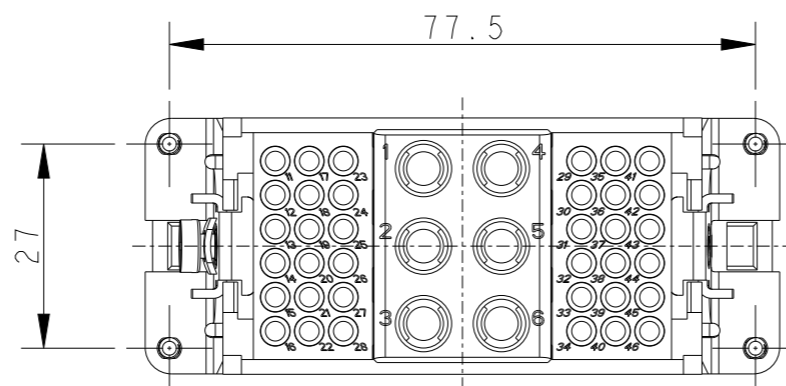
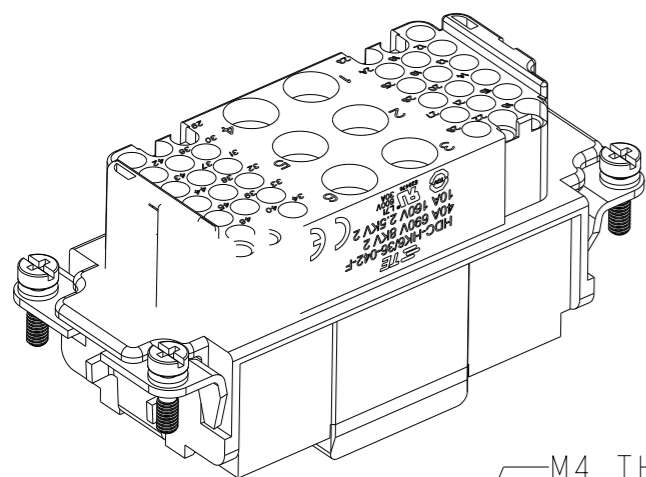


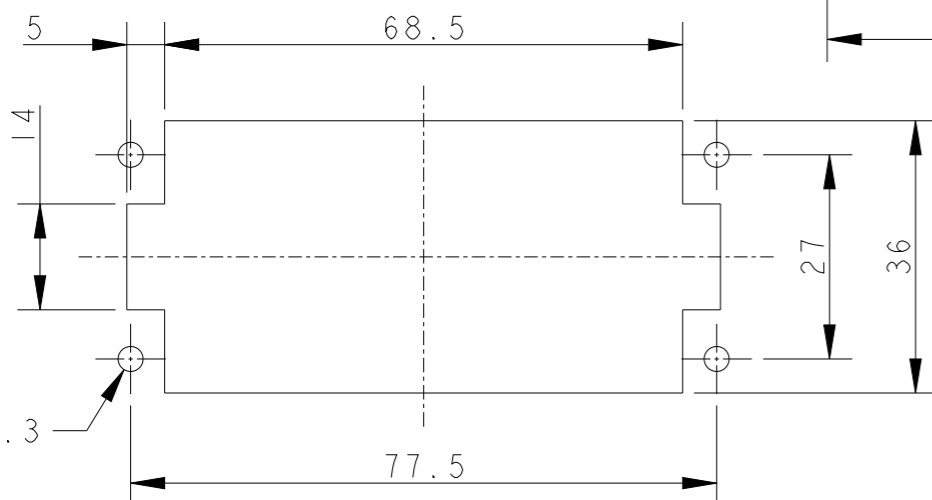
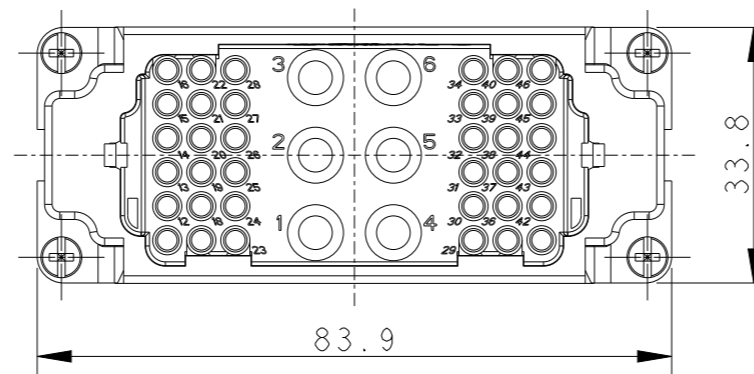
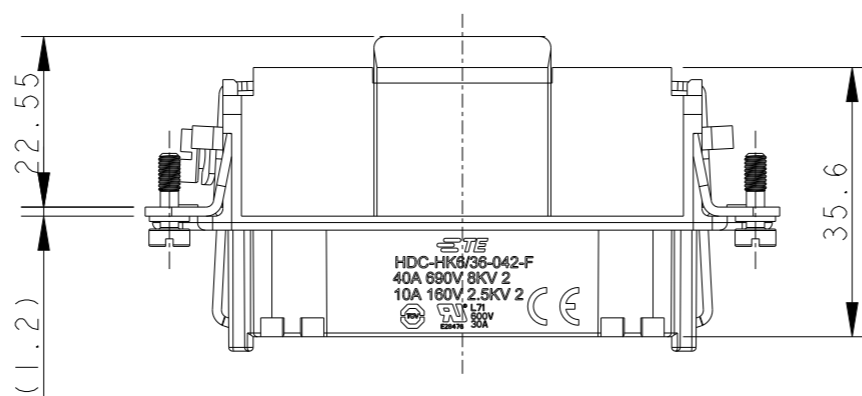
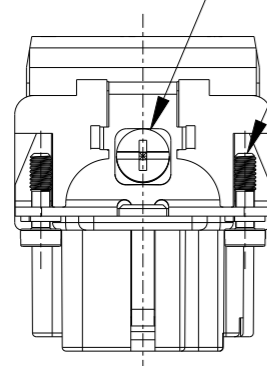
REVISIONS

P	LTR	DESCRIPTION	DATE	DWN	APVD
A		INITIAL	22DEC2014	DW	CW
B		ECR-15-018481	23FEB2016	DW	CW
C		ECR-21-111798	10SEP2021	WQR	CW



M4 THREAD
RECOMMENDED TIGHTENING TORQUE 1.2Nm

4-M3 THREAD
RECOMMENDED TIGHTENING TORQUE 0.5Nm



PANEL CUT FOR INSERTS FOR USE
WITHOUT HOODS/ HOUSINGS


NOTES:

- TECHNICAL CHARACTERISTICS:
INSULATION MATERIAL: PC
RATED VOLTAGE: POWER: 690 V; SIGNAL: 250V
RATED CURRENT: POWER: 40 A; SIGNAL: 10A
INSULATION RESISTANCE: >=400MΩ
RATED IMPULSE VOLTAGE: POWER: 8 KV; SIGNAL: 4 KV
POLLUTION DEGREE: 2
CONTACT RESISTANCE: POWER: <=1 mΩ; SIGNAL: <=5 mΩ
FLAMMABILITY: UL94V-0
MATING CYCLES: 500 CYCLES
OPERATION TEMPERATURE: -40-+125°C
WIRE RANGE: POWER: 1-6 mm² (18-10 AWG)
SIGNAL: 0.14-2.5 mm² (26-14 AWG)
CONTACT TYPE: CRIMP CONTACT
- CONTACT NEED TO BE ORDERED SEPARATELY.
(ORDER No. REFER TO DRAWING:
T20200X20XX000 FOR SIGNAL; T20400X20XX000 FOR POWER)

注释:

- 技术参数:
绝缘材料: PC
额定电压: 电源: 690 V; 信号: 250 V
额定电流: 电源: 40 A; 信号: 10 A
绝缘电阻: >=400MΩ
额定脉冲电压: 电源: 8 KV; 信号: 4 KV
污染等级: 2
接触电阻: 电源: <=1 mΩ; 信号: <=5 mΩ
阻燃等级: UL94V-0
插拔次数: 500次
工作温度: -40-+125°C
接线范围: 电源: 1-6 mm² (18-10 AWG)
信号: 0.14-2.5 mm² (26-14 AWG)
接线类型: 冷压接
- 端子需要单独订购。
(订货号参考图面: 信号端子:T20200X20XX000; 电源端子:T20400X20XX000)

T2120422201-000	HK6/36-042-F HK6/36-042 母插
PART NUMBER 料号	PART DESCRIPTION 描述

THIS DRAWING IS A CONTROLLED DOCUMENT.		DWN 22DEC2014 David Wang		 TE Connectivity NAME HK6/36-042-F	
DIMENSIONS: mm		CHK 22DEC2014 Chris Wang			
TOLERANCES UNLESS OTHERWISE SPECIFIED:		APVD 22DEC2014 Xiang Xu			
0 PLC ±- 1 PLC ±- 2 PLC ±- 3 PLC ±- 4 PLC ±- ANGLES ±- MATERIAL - FINISH -		PRODUCT SPEC 108-137053 APPLICATION SPEC 114-137053 WEIGHT -			
		SIZE	CAGE CODE	DRAWING NO	RESTRICTED TO
		A3	00779	©-T2120422201000	-
		Customer Drawing		SCALE 1:1	SHEET 1 OF 1 REV C