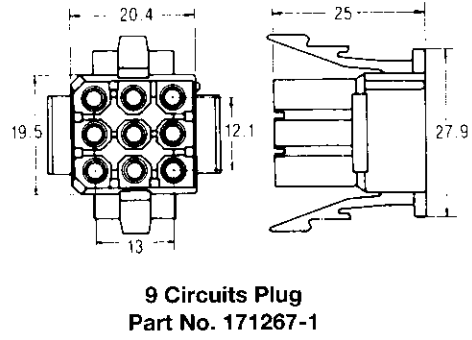
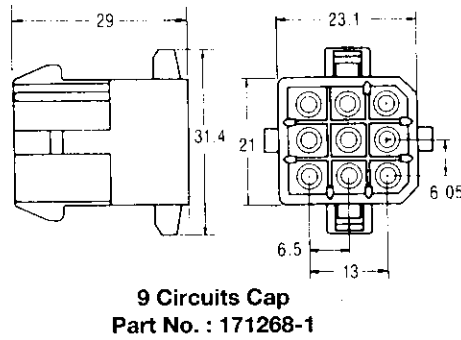
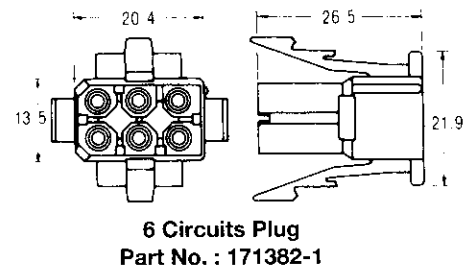
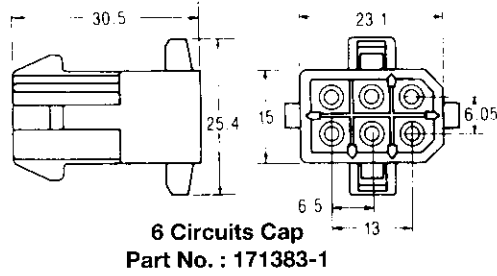


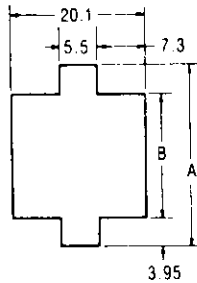
Wire to Board Connectors
Commercial MATE-N-LOK Connectors
Wire Application Side (Panel Mount Applications)

Housings (Cont'd)
6 and 9 Circuits

Material : 66 Nylon, Natural color



Plug Housing Panel
Cutout



- A: 19.9 (6 Circuit)
 25.9 (9 Circuit)
- B: 12 (6 Circuit)
 18 (9 Circuit)

- Notes:
1. Recommended panel thickness : 0.80--1.65mm.
 2. Panel must be punched so that housing enters panel in same direction as the punch.
 3. Dimensional tolerances are 0.1mm.
 4. Corners : 0.2R max. (6 Circuit)
 0.4R max. (9 Circuit)
 5. Acceptable contact –
 #61116, #61118 for cap housing
 #61117, #170147, #170120 for plug housing
 6. Will not accept contacts with two wires terminated.