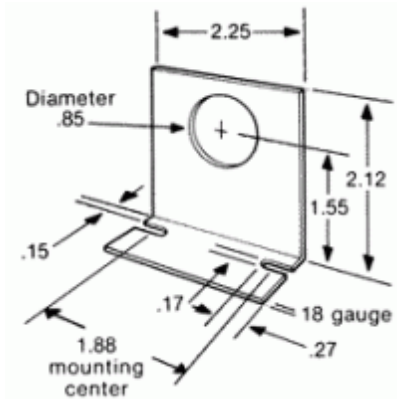




*Quality Products. Service Excellence.*

## Mounting Bracket *MTG70330-BULK Series*



- A steel mounting bracket is included with each unit.
- When purchasing additional brackets for Class-2 Transformers.

Part No. **MTG70330-BULK**

*Data subject to change without notice*



© 2019. Hammond Manufacturing Ltd. All rights reserved.