

RC-6KS2000 - Crimp contact



1603816

<https://www.phoenixcontact.com/us/products/1603816>

Please be informed that the data shown in this PDF document is generated from our online catalog. Please find the complete data in the user documentation. Our general terms of use for downloads are valid.



Crimp contact, turned, contact diameter: 1 mm, crimp range: 0.14 mm² ... 0.75 mm²

Commercial data

Item number	1603816
Packing unit	1 pc
Note	Made to order (non-returnable)
Sales key	AB36
Product key	ABREAA
GTIN	4046356247252
Weight per piece (including packing)	0.54 g
Weight per piece (excluding packing)	0.27 g
Customs tariff number	85366990
Country of origin	DE

RC-6KS2000 - Crimp contact



1603816

<https://www.phoenixcontact.com/us/products/1603816>

Technical data

Product properties

Product type	Crimp contact
Series	RC
Contact material type	turned

Connection data

Connection method	Crimp connection
Contact connection type	Socket

Material specifications

Contact surface	Gold AU
Contact material	CuZn
Contact surface	Nickel-plated, gold coating

Dimensions

Mechanical characteristics

Contact diameter	1 mm
------------------	------

Electrical properties

Contact

Contact diameter	1 mm
Min. cross section	0.5 mm ²
Max. cross section	0.75 mm ²

Mechanical properties

Mechanical data

Insertion/withdrawal cycles	50
-----------------------------	----

RC-6KS2000 - Crimp contact

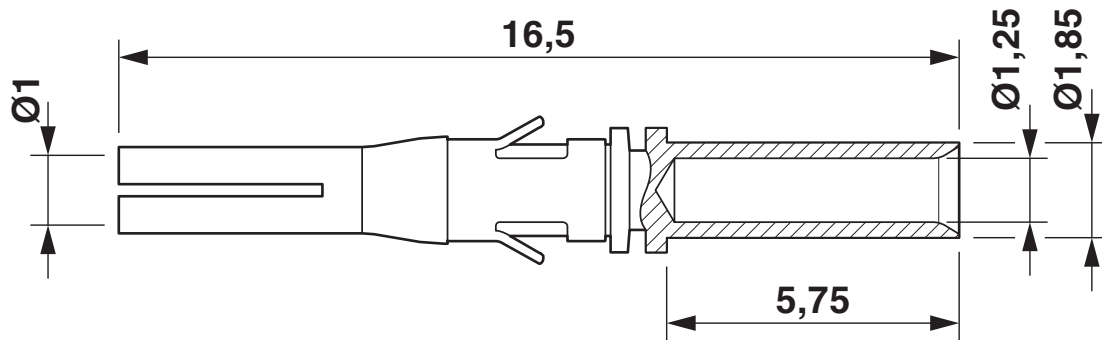
1603816

<https://www.phoenixcontact.com/us/products/1603816>



Drawings

Dimensional drawing



RC-6KS2000 - Crimp contact

1603816

<https://www.phoenixcontact.com/us/products/1603816>



Classifications

ECLASS

ECLASS-11.0

27440204

UNSPSC

UNSPSC 21.0

39121522

RC-6KS2000 - Crimp contact



1603816

<https://www.phoenixcontact.com/us/products/1603816>

Environmental product compliance

EU RoHS

Fulfills EU RoHS substance requirements	Yes
Exemption	6(c)

China RoHS

Environment friendly use period (EFUP)	EFUP-50
	An article-related China RoHS declaration table can be found in the download area for the respective article under "Manufacturer declaration". For all articles with EFUP-E, no China RoHS declaration table issued and required.

EU REACH SVHC

REACH candidate substance (CAS No.)	Lead(CAS: 7439-92-1)
-------------------------------------	----------------------

RC-6KS2000 - Crimp contact

1603816

<https://www.phoenixcontact.com/us/products/1603816>



Accessories

RC-Z2514 - Crimping pliers with digital display

1614590

<https://www.phoenixcontact.com/us/products/1614590>



Crimping pliers for turned RC crimp contacts \varnothing 1 mm / \varnothing 1.5 mm / \varnothing 2 mm, litz wire cross section of 0.08 mm² ... 2.5 mm²

RC-Z2504 - Crimping pliers

1613822

<https://www.phoenixcontact.com/us/products/1613822>



Crimping pliers for turned RC crimp contacts, diameter 1 mm / diameter 1.5 mm / diameter 2 mm for a litz wire cross section of 0.14 mm² ... 2.5 mm²

RC-6KS2000 - Crimp contact

1603816

<https://www.phoenixcontact.com/us/products/1603816>



RC-Z2274 - Contact insertion and removal tool

1604409

<https://www.phoenixcontact.com/us/products/1604409>



Positioning and unlocking tool for RC crimp contacts for pin/socket with metal clip, diameter 1.0 ... 1.5 mm

Phoenix Contact 2024 © - all rights reserved

<https://www.phoenixcontact.com>

Phoenix Contact USA
586 Fulling Mill Road
Middletown, PA 17057, United States
(+717) 944-1300
info@phoenixcon.com