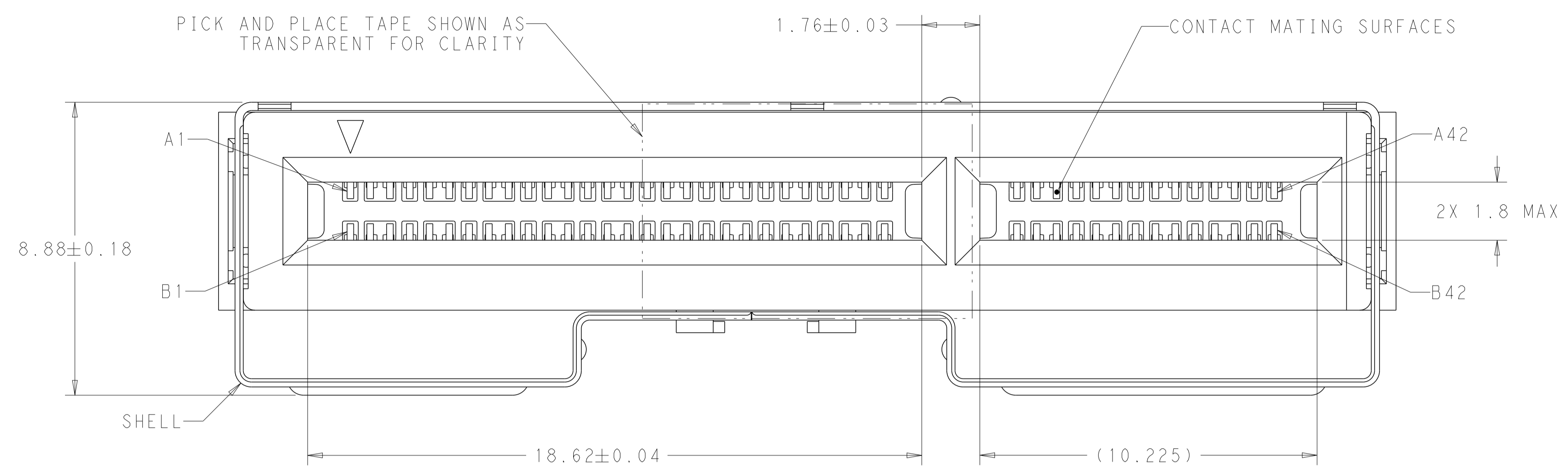
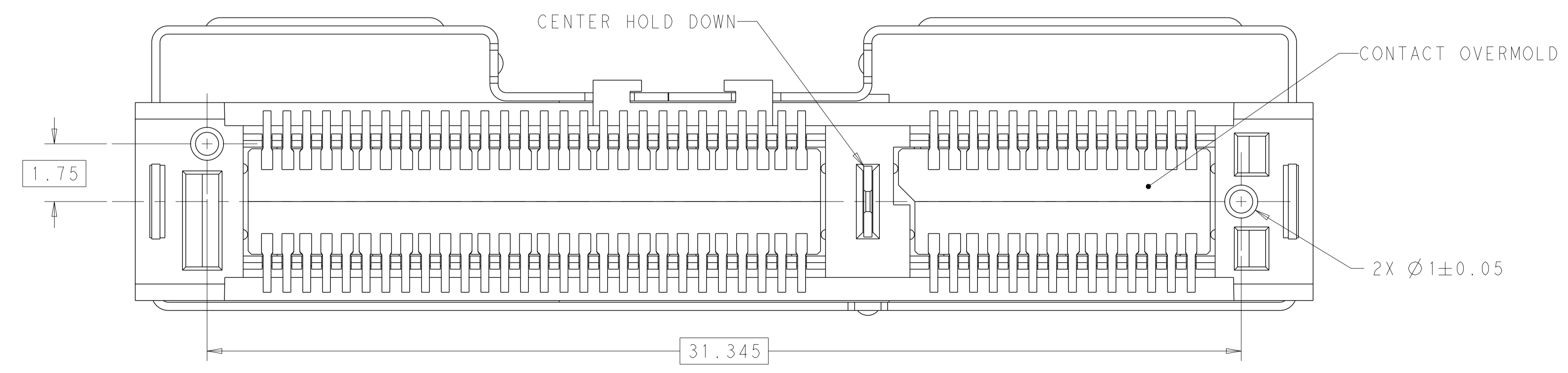
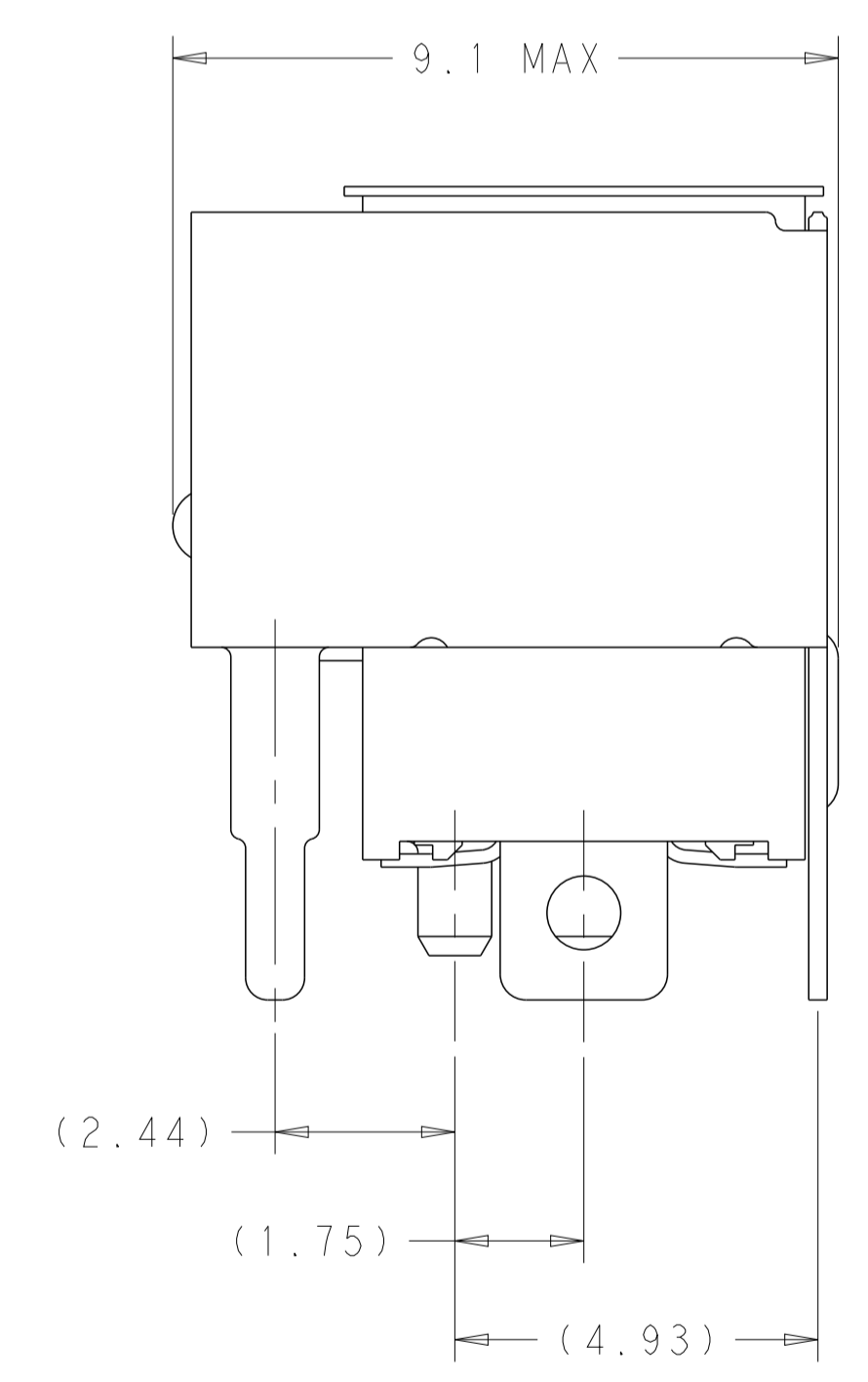
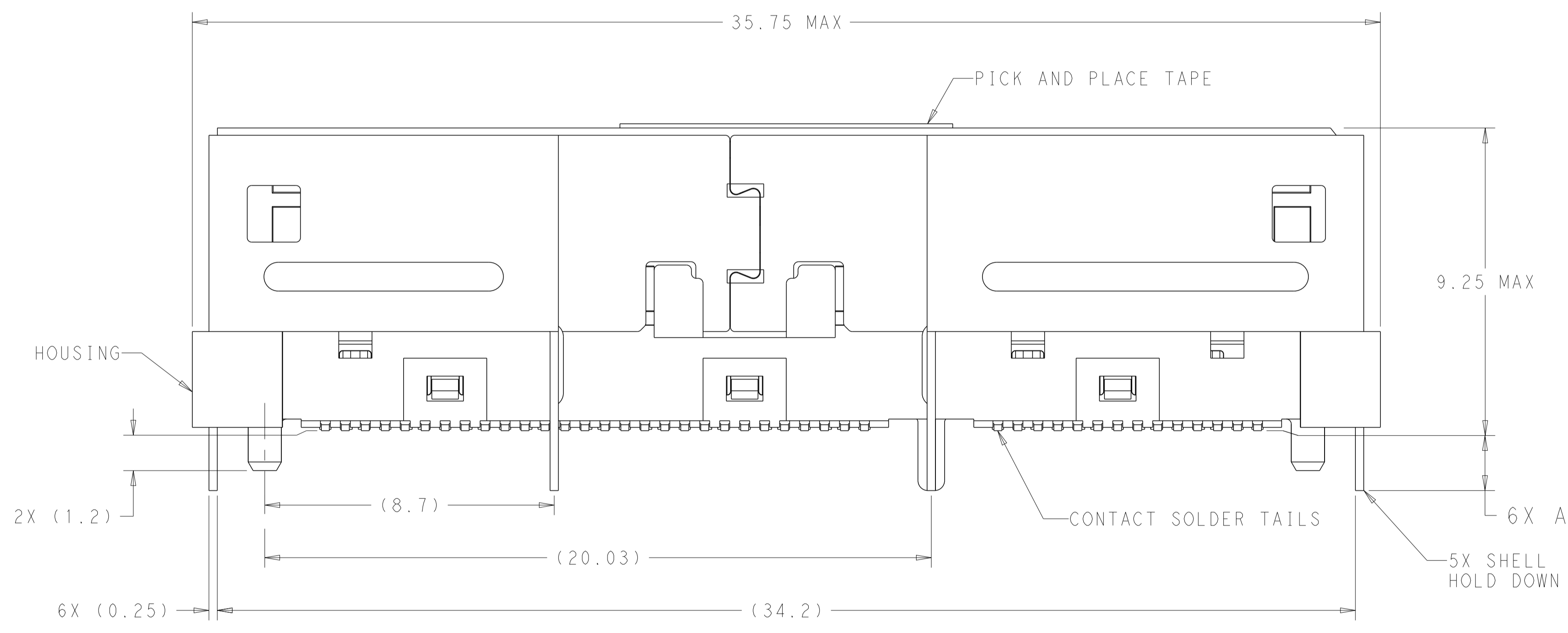


REVISIONS				
P	LTN	DESCRIPTION	DATE	APPV
B		REVISED PER ECO-19-014774	26SEP2019	CJV JW
C		ADDED 2-2331813-1/2	30NOV2022	RW DZ
C3		REVISED PER ECN-23-223892	27JUL2023	JG DZ
C4		REVISED AS PER ECN-24-258640	29MAR2024	TR JM



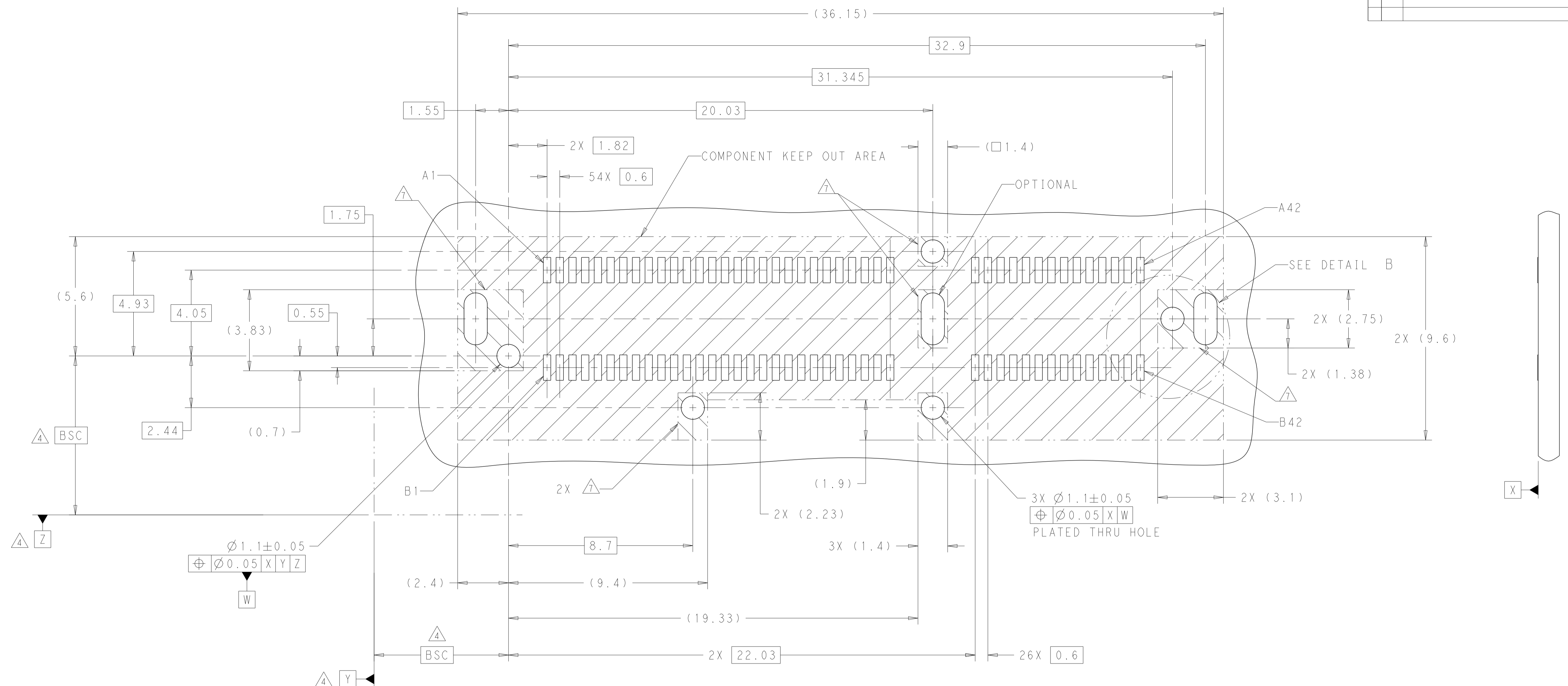
- 1 HOUSING AND CONTACT OVERMOLDS - LCP, UL94V-0, BLACK. SHELL, CONTACTS, HOLD DOWNS - COPPER ALLOY. PICK AND PLACE TAPE - POLYIMIDE FILM.
- 2 CONTACTS - GOLD PLATE ON MATING SURFACES, TIN PLATE ON SOLDER FEET. HOLD DOWNS - TIN PLATE. SHELL - TIN PLATE.
- 3 DATUMS AND BASIC DIMENSIONS ESTABLISHED BY CUSTOMER.
4. MINIMUM HOST PCB THICKNESS: 1.5.
- 5 SEE MSA SPECIFICATION FOR ADDITIONAL PADDLE CARD LAYOUTS COMPATIBLE WITH THIS RECEPTACLE AND FOR OPTIONAL SPLIT CONTACT PAD LAYOUTS FOR THE PADDLE CARD. SPECIFICATION PINOUT MAY ALSO DESIGNATE PAD SEQUENCE DIFFERENT FROM ILLUSTRATION.
- 6 POSITIONS DESIGNATED AS "SIGNAL" ARE REQUIRED LOCATIONS FOR HIGH SPEED DIFFERENTIAL PAIR SIGNALING. THESE LOCATIONS MAY ALSO BE USED FOR SUPPORTING SIDEBAND SIGNALS OR OTHER UTILITY PURPOSES. POSITIONS DESIGNATED AS "GROUND" ARE REQUIRED WHEN SUPPORTING HIGH SPEED DIFFERENTIAL SIGNALS. THESE LOCATIONS MAY ALSO BE USED FOR SIDEBAND SIGNALS OR OTHER UTILITY PURPOSES.
- 7 RECOMMENDED COMPONENT AND TRACE KEEP OUT AREA. EACH EDGE 0.15 MIN FROM EDGE OF HOLE.
- 8 TAPE AND REEL PACKAGED FOR PICK AND PLACE SMT PROCESSING, SEE FIGURE 1. POCKET TAPE WIDTH = 56.
- 9 TO PHI PLANT



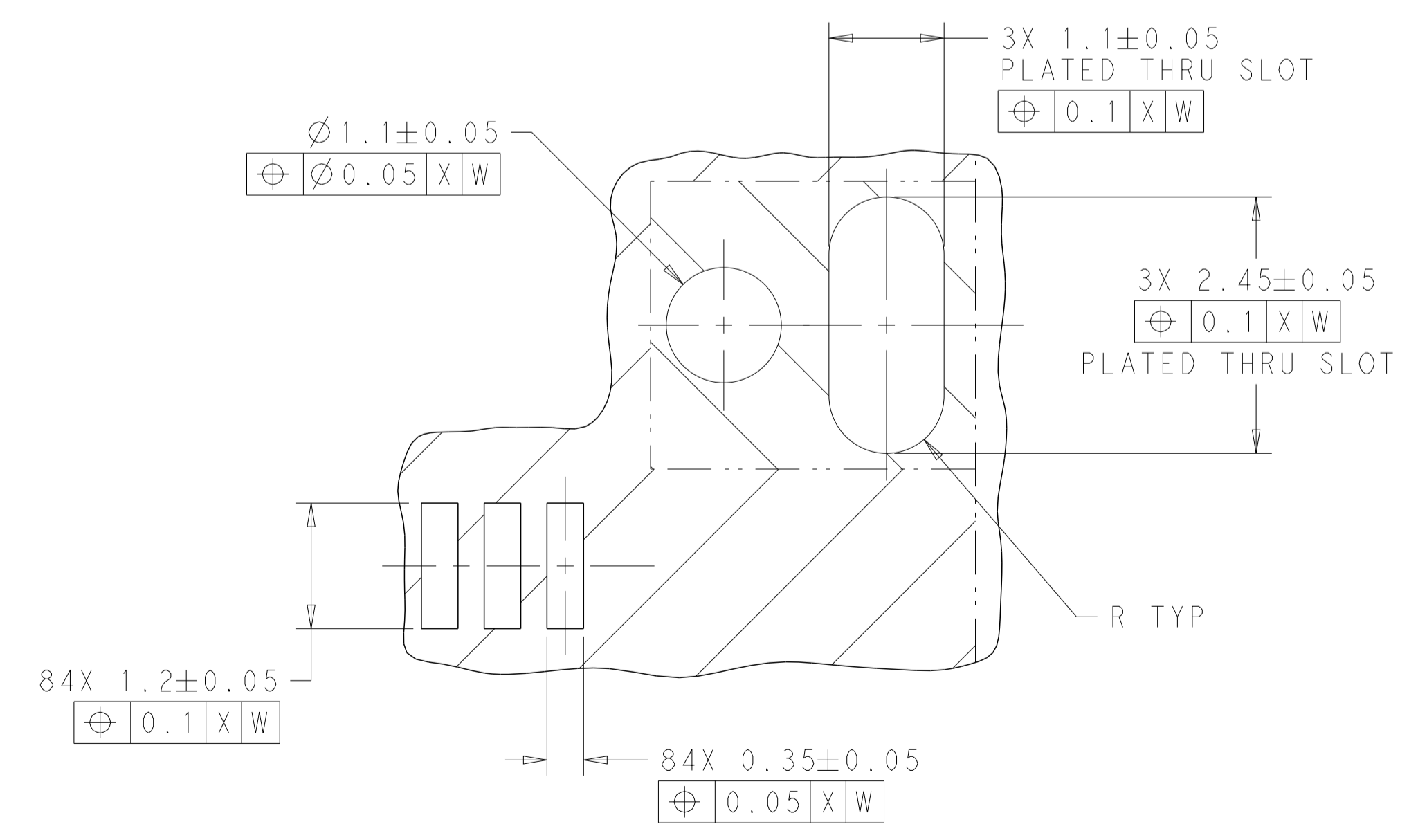
SEE SHEET 4 FOR PART TABLE

THIS DRAWING IS A CONTROLLED DOCUMENT.		OWN: B. MATTHEWS 12MAR2018	TE Connectivity
DIMENSIONS: MIN		CHK: D. HARMON 12MAR2018	
TOLERANCES UNLESS OTHERWISE SPECIFIED:		APPV: D. HARMON 12MAR2018	NAME: RECEPTACLE ASSEMBLY, VERTICAL, 84 POSITION, SLIVER 2.0
0 PLC ±0.5	1 PLC ±0.13	PRODUCT SPEC: 108-130021	SIZE: A1
2 PLC ±0.13	3 PLC ±0.013	APPLICATION SPEC: 114-130015	CAGE CODE: -
4 PLC ±0.001	ANGLES ±	WEIGHT: -	DRAWING NO: C=2331813
MATERIAL:	FINISH:	CUSTOMER DRAWING	RESTRICTED TO: -
SCALE: 1:1			SHEET 1 OF 4
REV: C4			

REVISIONS				
P.	LTN.	DESCRIPTION	DATE	APVD.
-	-	SEE SHEET 1	-	-



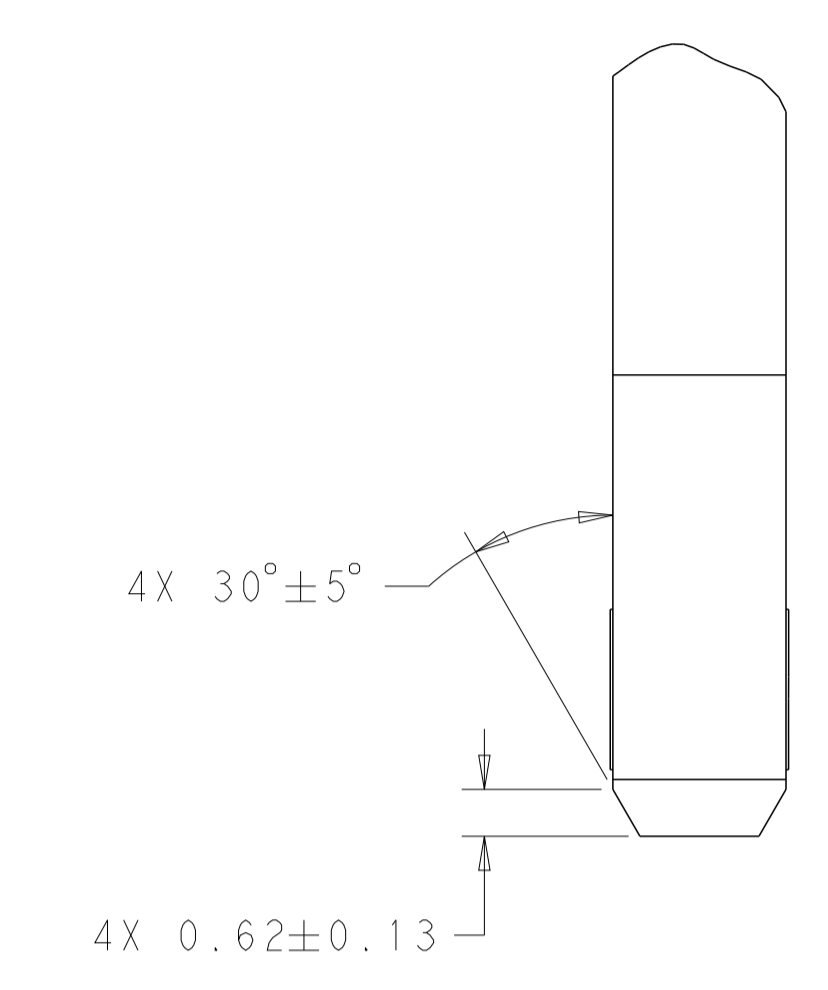
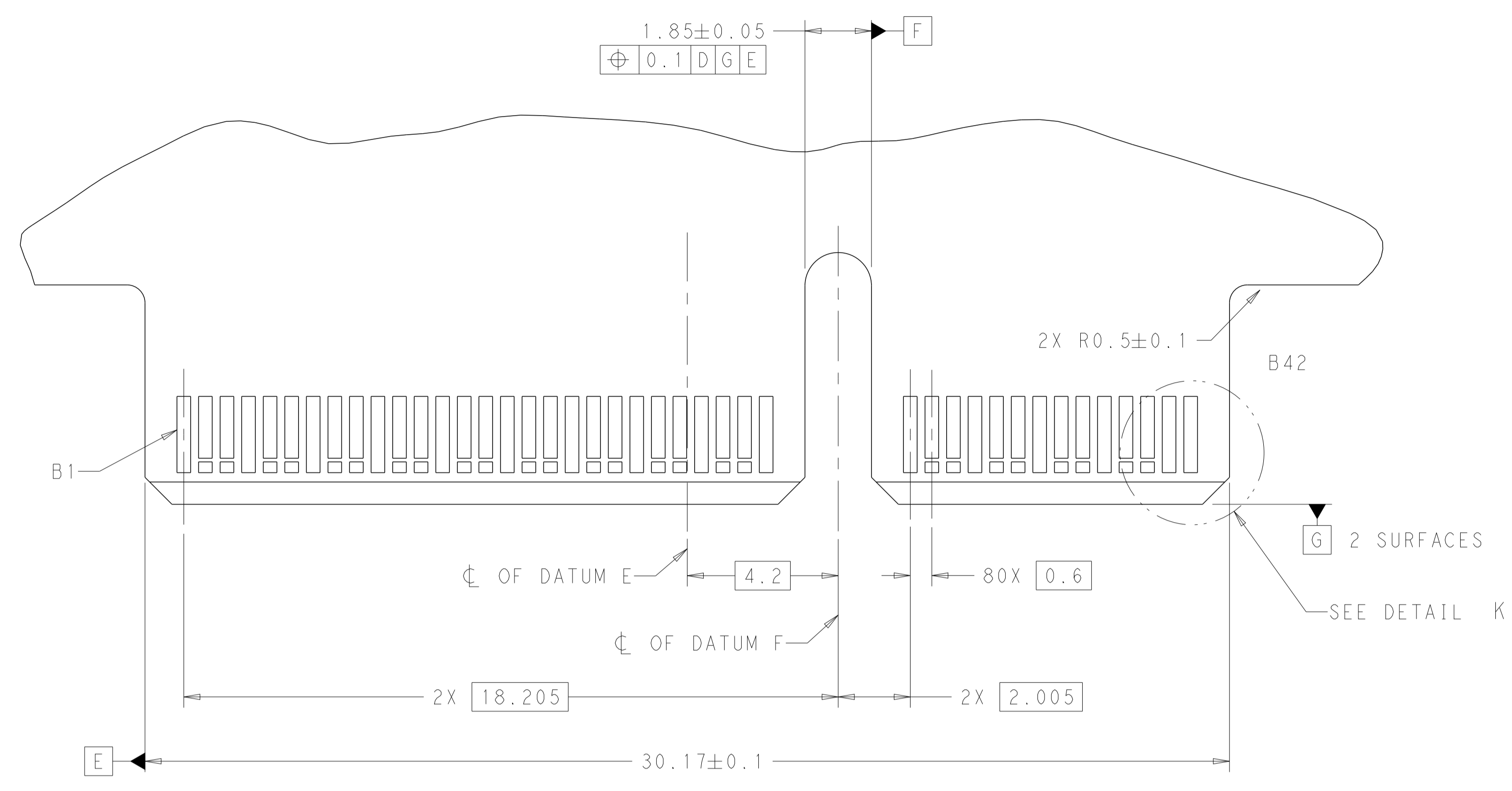
RECOMMENDED PC BOARD LAYOUT



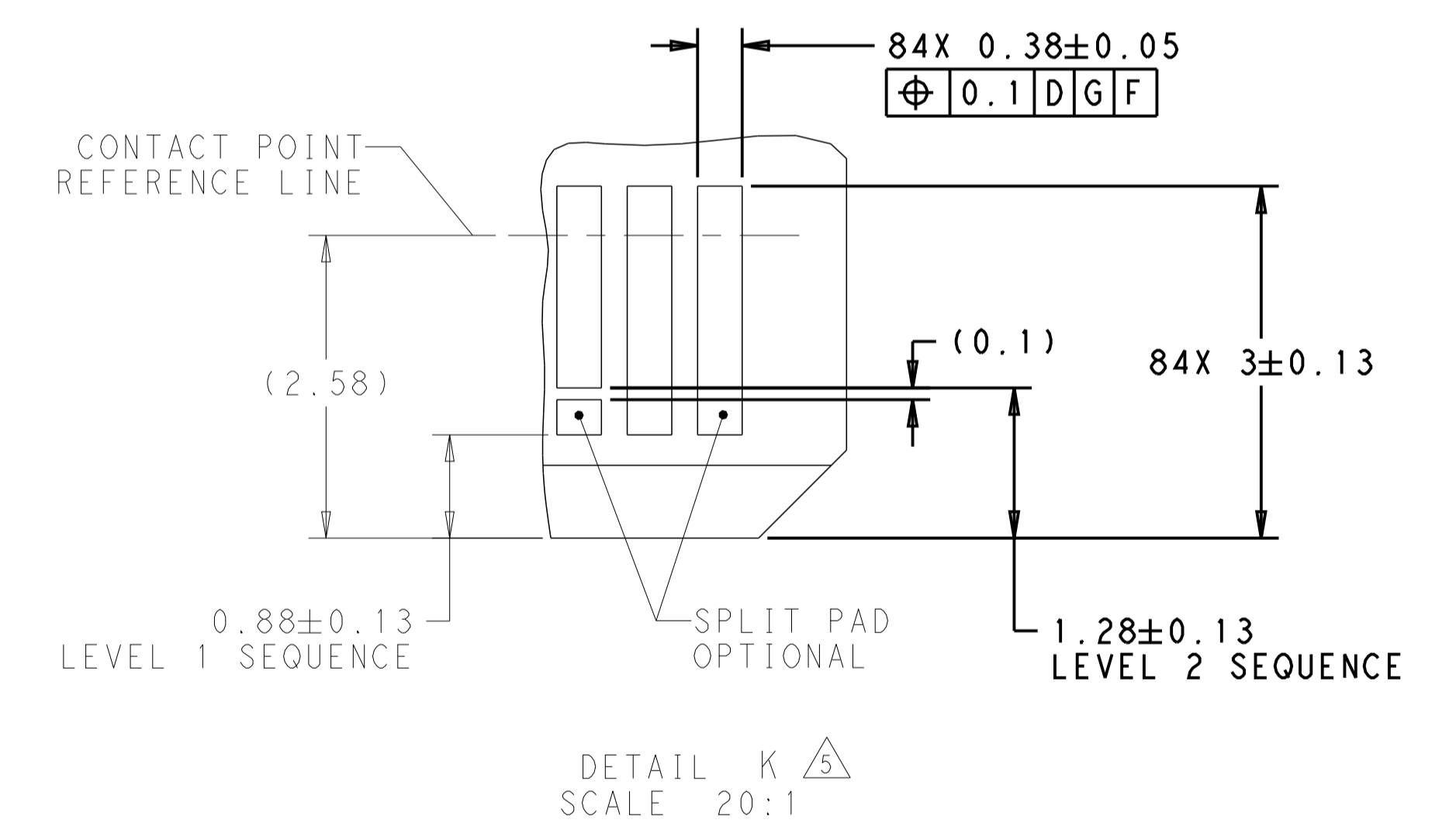
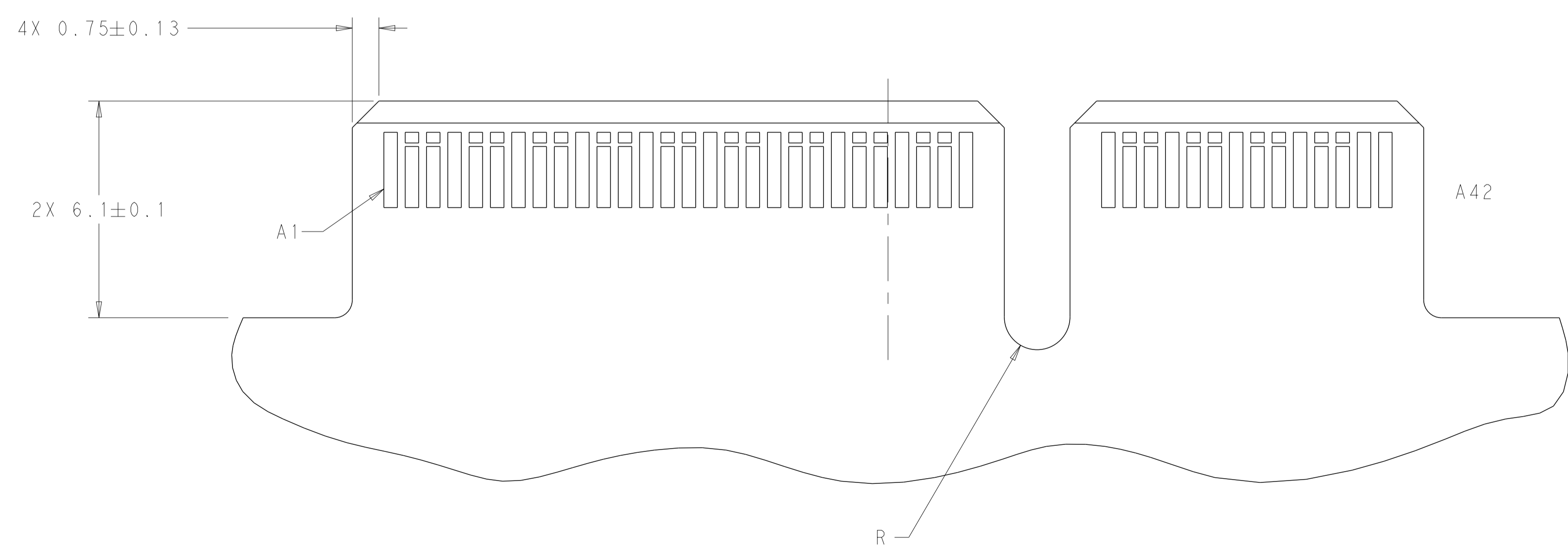
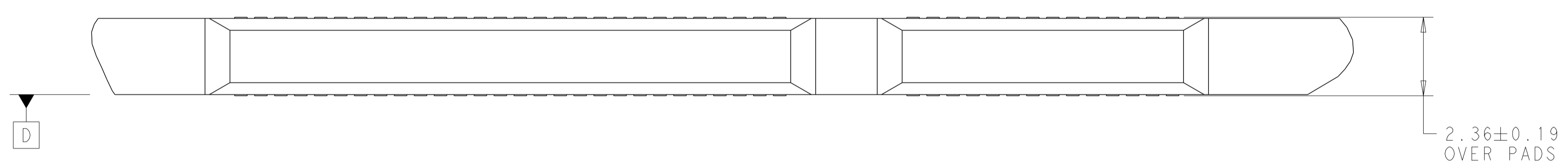
DETAIL B
SCALE 20:1

THIS DRAWING IS A CONTROLLED DOCUMENT.		OWN B. MATTHEWS 12MAR2018	TE Connectivity
DIMENSIONS:		CHK D. HARMON 12MAR2018	
mm	TOLERANCES UNLESS OTHERWISE SPECIFIED:	APVD D. HARMON 12MAR2018	NAME RECEPTACLE ASSEMBLY, VERTICAL, 84 POSITION, SLIVER 2.0
	0 PLC ± 1 PLC ±0.5 2 PLC ±0.13 3 PLC ±0.013 4 PLC ±0.001 ANGLES ±0.0001	PRODUCT SPEC 108-130021	SIZE A1
MATERIAL	FINISH	APPLICATION SPEC 114-130015	CAGE CODE -
CUSTOMER DRAWING		WEIGHT -	DRAWING NO. C=2331813
SCALE 1:1		SHEET 2 OF 4	REV C4

REVISIONS				
P	LTN	DESCRIPTION	DATE	APVD
-	-	SEE SHEET 1	-	-



RECOMMENDED PCB OUTLINE DIMENSIONS.
 TOLERANCE VALUES ARE CRITICAL. PLEASE BE SURE TO DESIGNATE
 TOLERANCES TO PCB SUPPLIER TO ENSURE OPTIMIZED FUNCTIONALITY.

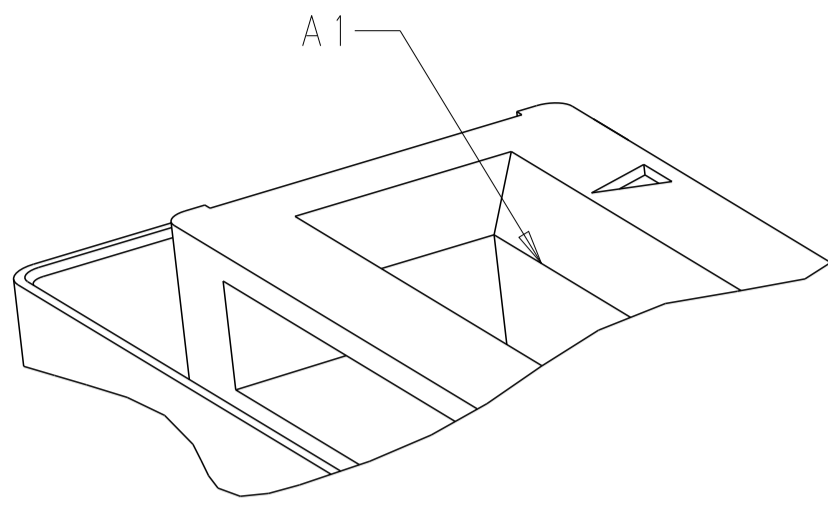


THIS DRAWING IS A CONTROLLED DOCUMENT.		OWN: B. MATTHEWS 12MAR2018	TE Connectivity
DIMENSIONS: mm		CHK: D. HARMON 12MAR2018	
TOLERANCES UNLESS OTHERWISE SPECIFIED:		APVD: D. HARMON 12MAR2018	NAME: RECEPTACLE ASSEMBLY, VERTICAL, 84 POSITION, SLIVER 2.0 PRODUCT SPEC: 108-130021 APPLICATION SPEC: -
0 PLC ±0.5 1 PLC ±0.13 2 PLC ±0.13 3 PLC ±0.013 4 PLC ±0.001 ANGLES ±0.0001		SIZE: 114-130015 WEIGHT: -	
MATERIAL: FINISH: -		CUSTOMER DRAWING SCALE: 10:1	RESTRICTED TO: - SHEET 3 OF 4 REV C4

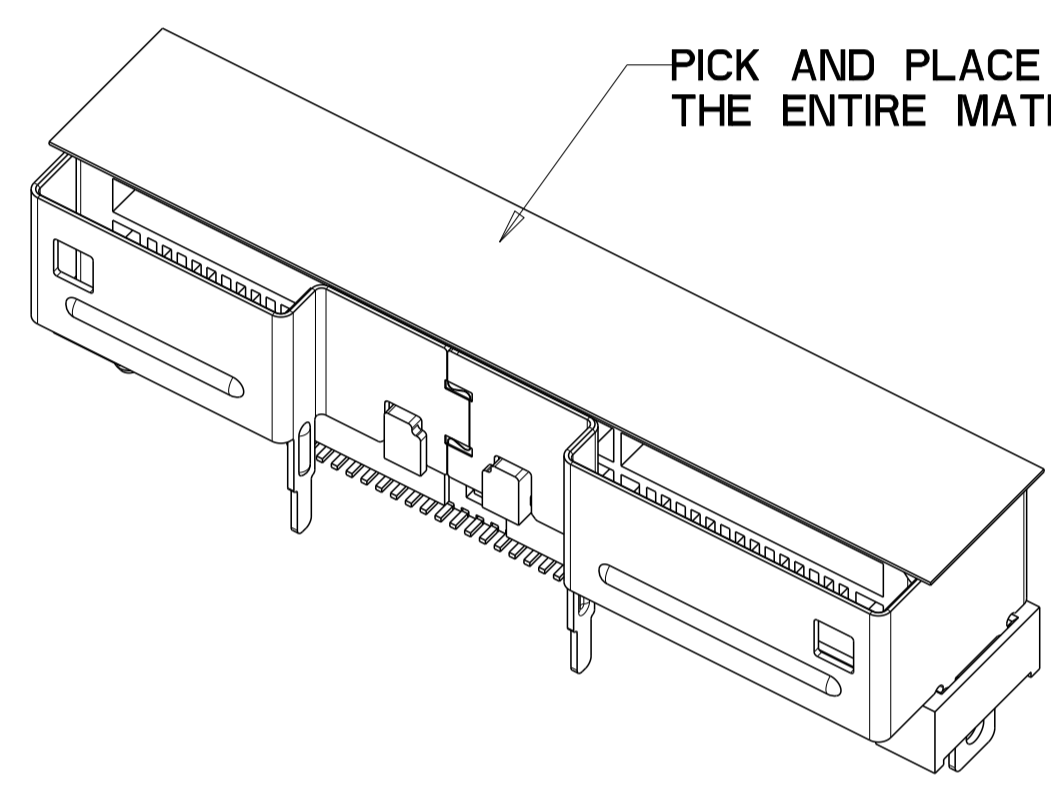
REVISIONS				
P.	LTN	DESCRIPTION	DATE	APVD
-	-	SEE SHEET 1	-	-

TABLE 1: CONNECTOR CONTACT IDENTIFICATION

CONTACT NUMBER	SIDE A	SIDE B
1	GROUND	GROUND
2	SIGNAL	SIGNAL
3	SIGNAL	SIGNAL
4	GROUND	GROUND
5	SIGNAL	SIGNAL
6	SIGNAL	SIGNAL
7	GROUND	GROUND
8	SIGNAL	SIGNAL
9	SIGNAL	SIGNAL
10	GROUND	GROUND
11	SIGNAL	SIGNAL
12	SIGNAL	SIGNAL
13	GROUND	GROUND
14	SIGNAL	SIGNAL
15	SIGNAL	SIGNAL
16	GROUND	GROUND
17	SIGNAL	SIGNAL
18	SIGNAL	SIGNAL
19	GROUND	GROUND
20	SIGNAL	SIGNAL
21	SIGNAL	SIGNAL
22	GROUND	GROUND
23	SIGNAL	SIGNAL
24	SIGNAL	SIGNAL
25	GROUND	GROUND
26	SIGNAL	SIGNAL
27	SIGNAL	SIGNAL
28	GROUND	GROUND
29	GROUND	GROUND
30	SIGNAL	SIGNAL
31	SIGNAL	SIGNAL
32	GROUND	GROUND
33	SIGNAL	SIGNAL
34	SIGNAL	SIGNAL
35	GROUND	GROUND
36	SIGNAL	SIGNAL
37	SIGNAL	SIGNAL
38	GROUND	GROUND
39	SIGNAL	SIGNAL
40	SIGNAL	SIGNAL
41	GROUND	GROUND
42	GROUND	GROUND



DETAIL C
SCALE 10:1



2-2331813-3
AS SHOWN
SCALE 4:1

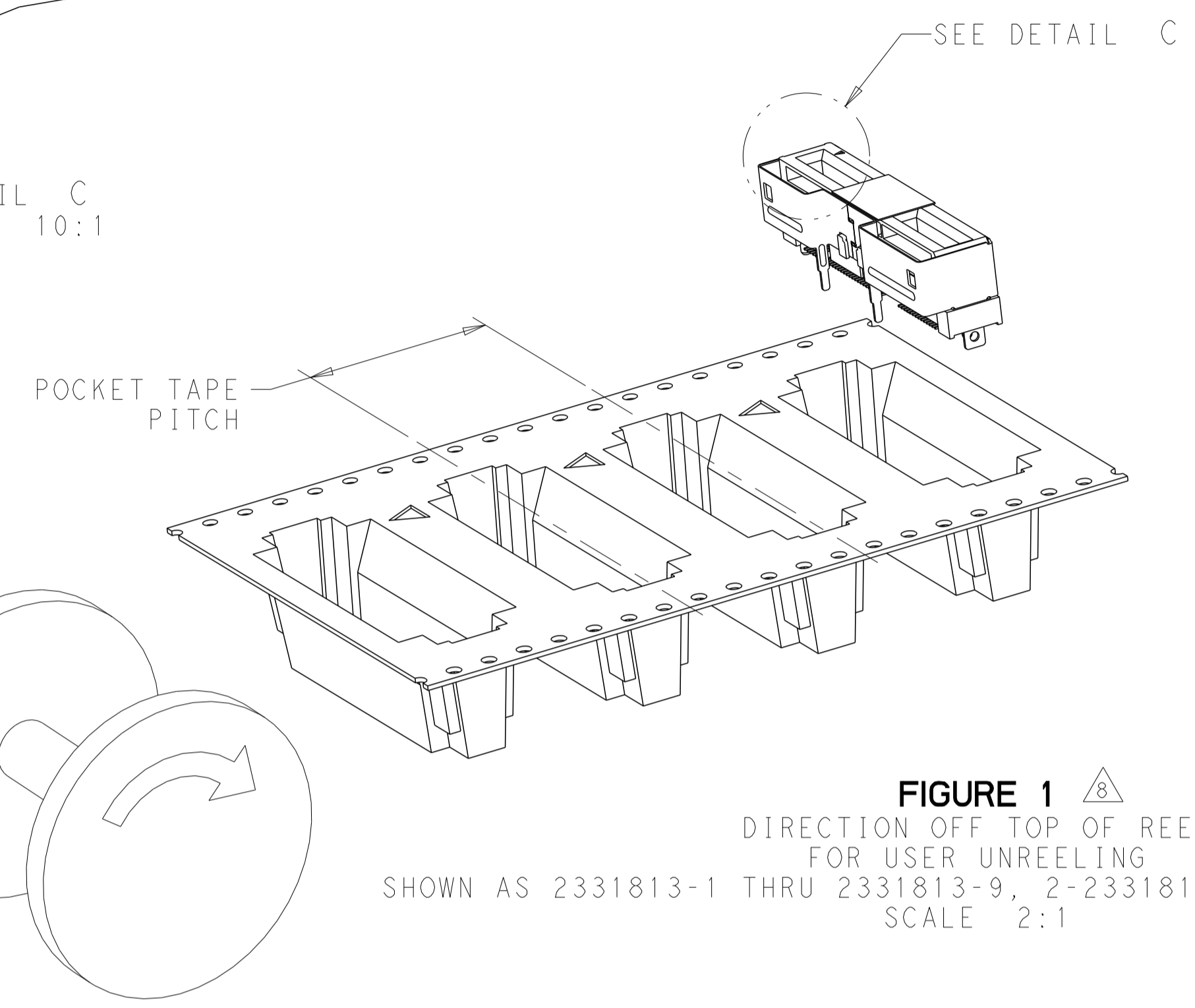


FIGURE 1
DIRECTION OFF TOP OF REEL
FOR USER UNREELING
SHOWN AS 2331813-1 THRU 2331813-9, 2-2331813-1 THRU 2-2331813-3
SCALE 2:1

1.8	$+0.2 / -0.1$	YES	0.76 μ m Au	20	300	YES, 10MM	200	2-2331813-4
1.8	$+0.2 / -0.1$	YES	0.76 μ m Au	20	300	YES, 35.7MM	200	2-2331813-3
3.0	$+0.2 / -0.1$	YES	0.76 μ m Au	20	300	YES, 10MM	200	2-2331813-2
3.3	$+0.2 / -0.1$	YES	0.76 μ m Au	20	300	YES, 10MM	200	2-2331813-1
1.2 \pm 0.2		NO	0.76 μ m Au	24	250	NO	200	1-2331813-8
			0.38 μ m Au				100	1-2331813-7
			FLASH Au/PdNi				50	1-2331813-7
1.8 $+0.2 / -0.1$		NO	0.76 μ m Au	24	250	NO	200	1-2331813-6
			0.38 μ m Au				100	1-2331813-5
			FLASH Au/PdNi				50	1-2331813-4
1.8 $+0.2 / -0.1$		YES	0.76 μ m Au	24	250	NO	200	1-2331813-3
			0.38 μ m Au				100	1-2331813-2
			FLASH Au/PdNi				50	1-2331813-1
1.2 \pm 0.2		NO	0.76 μ m Au	20	300	YES, 10MM	200	2331813-9
			0.38 μ m Au				100	2331813-8
			FLASH Au/PdNi				50	2331813-7
1.8 $+0.2 / -0.1$		NO	0.76 μ m Au	20	300	YES, 10MM	200	2331813-6
			0.38 μ m Au				100	2331813-5
			FLASH Au/PdNi				50	2331813-4
1.8 $+0.2 / -0.1$		YES	0.76 μ m Au	20	300	YES, 10MM	200	2331813-3
			0.38 μ m Au				100	2331813-2
			FLASH Au/PdNi				50	2331813-1
A		CENTER HOLD DOWN	PLATING	POCKET TAPE PITCH	REEL QUANTITY	PICK AND PLACE TAPE AND LENGTH	MATING CYCLES	PART NUMBER

THIS DRAWING IS A CONTROLLED DOCUMENT.

OWN: B. MATTHEWS 12MAR2018
CHK: D. HARMON 12MAR2018
APVD: D. HARMON 12MAR2018

DIMENSIONS: mm
TOLERANCES UNLESS OTHERWISE SPECIFIED:
0 PLC \pm 0.5
1 PLC \pm 0.13
2 PLC \pm 0.013
3 PLC \pm 0.001
4 PLC \pm 0.0001
ANGLES \pm 0.0001
FINISH

MATERIAL

NAME: RECEPTACLE ASSEMBLY, VERTICAL, 84 POSITION, SLIVER 2.0
PRODUCT SPEC: 108-130021
APPLICATION SPEC: 114-130015

SIZE: A1
CAGE CODE: -
DRAWING NO: C=2331813

RESTRICTED TO: -
WEIGHT: -
CUSTOMER DRAWING

SCALE: 1:1
SHEET: 4 OF 4
REV: C4

TE Connectivity