

FSM1LPTR ✓ ACTIVE

Alcoswitch | Alcoswitch FSM1LP

TE Internal #: 1-1437565-9

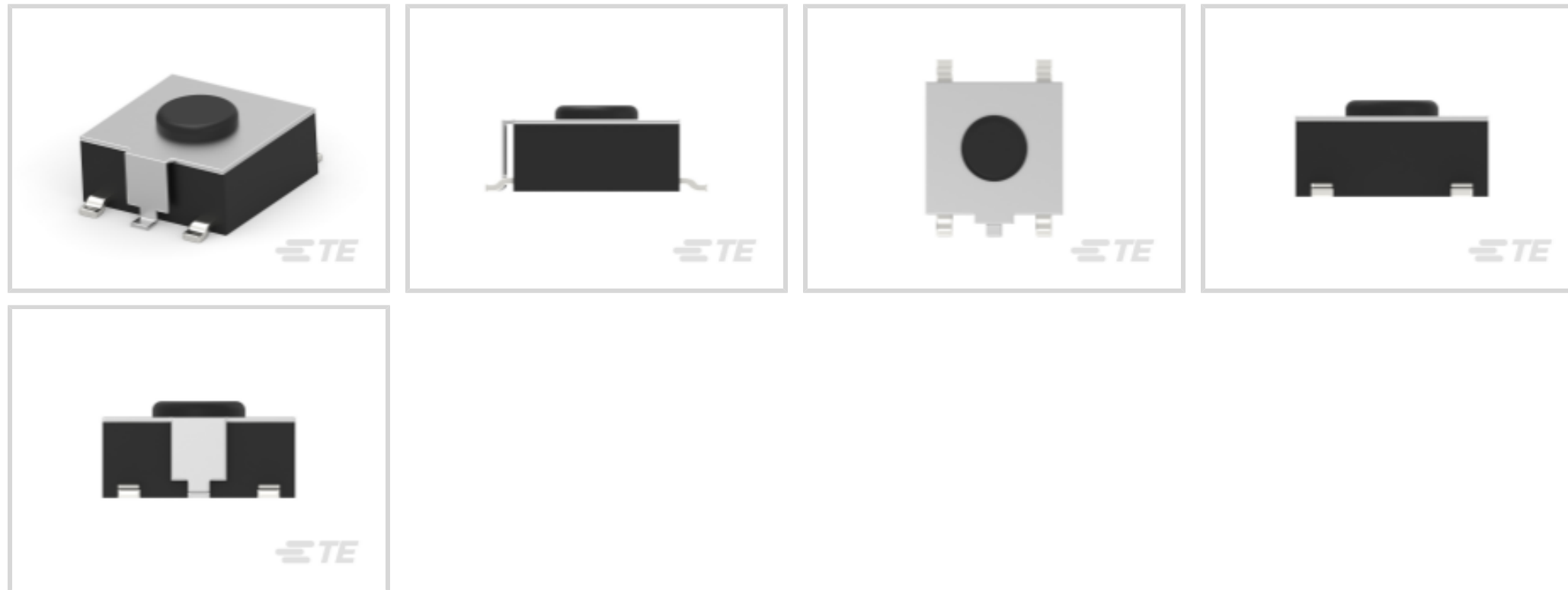
Round Actuator Style, NO, Copper Alloy, Silver, Low Profile, 50mA

Contact Current Rating, Alcoswitch FSM1LP, Tactile Switches

[View on TE.com >](#)



Switches > Tactile Switches



Actuator Style: **Round**

Operating Function: **NO**

Contact Base Material: **Copper Alloy**

Switch Contact Plating Material: **Silver**

Low Profile: **With**

Features

Product Type Features

Switch Connection Type	Printed Circuit Board
Leg Style	SMD Pads
Illuminated	Without
Actuator Style	Round

Configuration Features

ESD Grounding Terminal	With
Ganged	With
Switch Feedback Type	Tactile
Operating Function	NO
Support Bracket	Without
Configuration (Pole-Throw)	Single Pole - Single Throw
Number of Actuators	Single

Electrical Characteristics

Operating Voltage	24 VDC
-------------------	--------

Body Features

Cover Material	Nickel, Silver
Actuator Force	160 g[5.64 oz]
Case Material	PPS
Actuator Profile	Extended
Actuator Material	PPA
Case Color	Black
Product Orientation	Vertical
Actuator Color	Black

Contact Features

Contact Base Material	Copper Alloy
Switch Contact Plating Material	Silver
Contact Current Rating	50 mA

Termination Features

Termination Method to PCB	Surface Mount
---------------------------	---------------

Housing Features

Low Profile	With
Process Sealed	No

Dimensions

Actuator Length	.27 mm[.01 in]
Button Width	2.99 mm[.118 in]
	.122 in

Usage Conditions

Operating Temperature Range	-35 – 85 °C
-----------------------------	-------------

Packaging Features

Packaging Method	Tape & Reel
------------------	-------------

Product Compliance

[For compliance documentation, visit the product page on TE.com>](#)

EU RoHS Directive 2011/65/EU	Compliant
EU ELV Directive 2000/53/EC	Compliant
China RoHS 2 Directive MIIT Order No 32, 2016	No Restricted Materials Above Threshold



EU REACH Regulation (EC) No. 1907/2006

Current ECHA Candidate List: JUNE 2024 (241)

Candidate List Declared Against: JUNE 2024 (241)

Does not contain REACH SVHC

Halogen Content

Low Halogen - Br, Cl, F, I < 900 ppm per homogenous material. Also BFR/CFR/PVC Free

Solder Process Capability

Reflow solder capable to 260°C

Product Compliance Disclaimer

This information is provided based on reasonable inquiry of our suppliers and represents our current actual knowledge based on the information they provided. This information is subject to change. The part numbers that TE has identified as EU RoHS compliant have a maximum concentration of 0.1% by weight in homogenous materials for lead, hexavalent chromium, mercury, PBB, PBDE, DBP, BBP, DEHP, DIBP, and 0.01% for cadmium, or qualify for an exemption to these limits as defined in the Annexes of Directive 2011/65/EU (RoHS2). Finished electrical and electronic equipment products will be CE marked as required by Directive 2011/65/EU. Components may not be CE marked. Additionally, the part numbers that TE has identified as EU ELV compliant have a maximum concentration of 0.1% by weight in homogenous materials for lead, hexavalent chromium, and mercury, and 0.01% for cadmium, or qualify for an exemption to these limits as defined in the Annexes of Directive 2000/53/EC (ELV). Regarding the REACH Regulation, the information TE provides on SVHC in articles for this part number is based on the latest European Chemicals Agency (ECHA) 'Guidance on requirements for substances in articles' posted at this URL: <https://echa.europa.eu/guidance-documents/guidance-on-reach>

Compatible Parts



TE Part # 1825910-6
FSM4JH=6MM TACT SWITCH, HIGH TEMP



TE Part # 2-1825910-7
FSM14JH=6MM TACT SWITCH, HIGH TEMP




TE Part # 4-1437565-2
FSM4JSMATR=TACT SWITCH 6X6MIL



TE Part # 3-1437565-0
FSM2JSMATR=ON T/R



TE Part # 2-1977223-8
FSM14JSMAS=6MM TACT SWITCH, SMT 160gf



TE Part # 7-1437565-1
FSM91504F=TACT SWITCH SPECIAL

Also in the Series | [Alcoswitch FSM1LP](#)

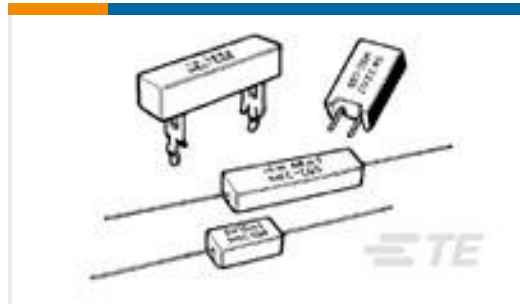


Tactile Switches(4)

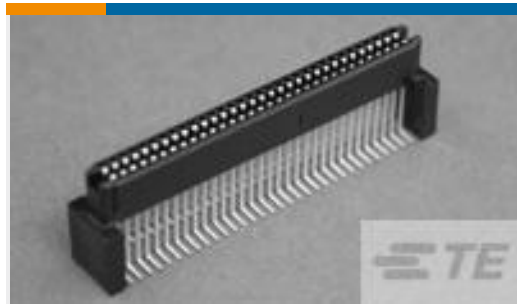
Customers Also Bought



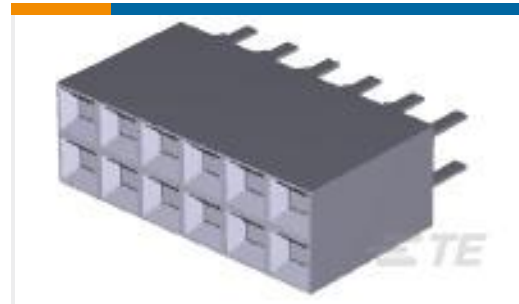
TE Part #5-1676966-5
SMW2 18R 5%



TE Part #1-1623783-4
SQM7 47K 5% (METAL FILM)



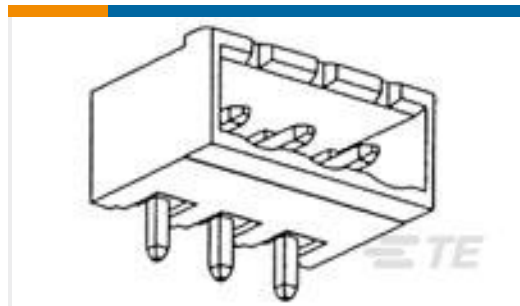
TE Part #120524-1
1FHR,64,30A/P,S,N,S14,15



TE Part #5-534998-6
12 MODIV VRT DR CE 100/125



TE Part #34164
TERMINAL,PG R 16-14 3/8



TE Part #796638-6
6POS 5.08MM CE R/A HDR,TRM BLK



TE Part #1-825437-0
MOD 2 PINHDR 1X10P.



TE Part #2-1445085-3
micro mnl hdr assy s/row au lf



TE Part #3-1414937-3
V23134J0065X497-EV-CBOX



TE Part #214787-E
EPSVA KS GDM4 EE 6 3,8 SN *
STROMVERSORG

Documents

Product Drawings

[FSM1LPTR=NEW P/N](#)

English

CAD Files

[Customer View Model](#)

[ENG_CVM_1-1437565-9_D1.3d_igs.zip](#)

English

[Customer View Model](#)



[ENG_CVM_1-1437565-9_D1.3d_stp.zip](#)

English

Customer View Model

[ENG_CVM_1-1437565-9_D1.2d_dxf.zip](#)

English

3D PDF

English

Customer View Model

[ENG_CVM_CVM_1-1437565-9_E.3d_igs.zip](#)

English

Customer View Model

[ENG_CVM_CVM_1-1437565-9_E.3d_stp.zip](#)

English

Customer View Model

[ENG_CVM_CVM_1-1437565-9_E.2d_dxf.zip](#)

English

3D PDF

3D

By downloading the CAD file I accept and agree to the [Terms and Conditions](#) of use.

Datasheets & Catalog Pages

[SWITCHES_CORE_PROGRAM_CATALOG](#)

English

[Products for Mobile Equipment](#)

English