

# Gate Drive Optocoupler, High Noise Immunity, 1.0 A Output Current



ON Semiconductor®

[www.onsemi.com](http://www.onsemi.com)

## FOD3150

### Description

The FOD3150 is a 1.0 A Output Current Gate Drive Optocoupler, capable of driving most 800 V / 20 A IGBT / MOSFET. It is ideally suited for fast switching driving of power IGBT and MOSFETs used in motor control inverter applications, and high performance power system.

It utilizes ON Semiconductor patented coplanar packaging technology, Optoplanar®, and optimized IC design to achieve high noise immunity, characterized by high common mode rejection.

It consists of a gallium aluminum arsenide (AlGaAs) light emitting diode optically coupled to an integrated circuit with a high-speed driver for push-pull MOSFET output stage.

### Features

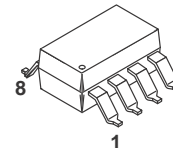
- High Noise Immunity characterized by 20 kV/μs minimum Common Mode Rejection
- Use of P-channel MOSFETs at Output Stage Enables Output Voltage Swing close to the Supply Rail
- Wide Supply Voltage Range from 15 V to 30 V
- Fast Switching Speed
  - ◆ 500 ns maximum Propagation Delay
  - ◆ 300 ns maximum Pulse Width Distortion
- Under Voltage LockOut (UVLO) with Hysteresis
- Extended Industrial Temperature Range, -40°C to 100°C Temperature Range
- Safety and Regulatory Approvals
  - ◆ UL1577, 5000 V<sub>RMS</sub> for 1 minute
  - ◆ DIN EN/IEC60747-5-5
- >8.0 mm Clearance and Creepage Distance (Option 'T')
- This is a Pb-Free Device

### Applications

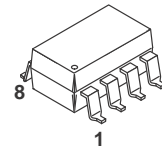
- Industrial Inverter
- Uninterruptible Power Supply
- Induction Heating
- Isolated IGBT/Power MOSFET Gate Drive

### Related Resources

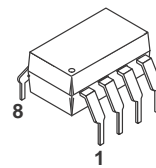
- FOD3120, 2.5 A Output Current, Gate Drive Optocoupler Datasheet
- [www.onsemi.com/products/opto/](http://www.onsemi.com/products/opto/)



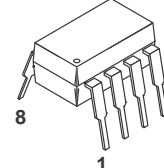
PDIP8 GW  
CASE 709AD



PDIP8 GW  
CASE 709AC

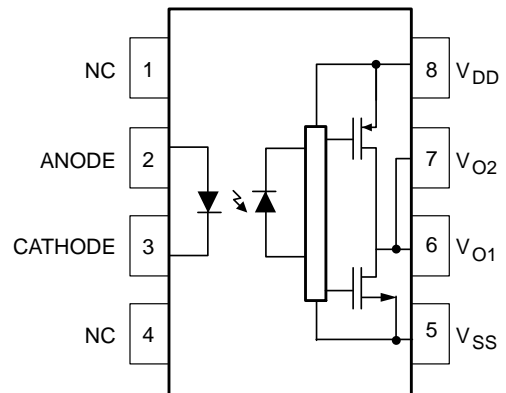


PDIP8 6.6x3.81, 2.54P  
CASE 646BW



PDIP8 9.655x6.6, 2.54P  
CASE 646CQ

### FUNCTIONAL BLOCK DIAGRAM



Note: A 0.1 μF bypass capacitor must be connected between pins 5 and 8.

### ORDERING INFORMATION

See detailed ordering and shipping information in the package dimensions section on page 12 of this data sheet.

# FOD3150

**Table 1. TRUTH TABLE**

| LED | $V_{DD} - V_{SS}$ "Positive Going" (Turn-on) | $V_{DD} - V_{SS}$ "Negative Going" (Turn-off) | $V_O$      |
|-----|--|---|------------|
| Off | 0 V to 30 V                                  | 0 V to 30 V                                   | Low        |
| On  | 0 V to 11 V                                  | 0 V to 9.7 V                                  | Low        |
| On  | 11 V to 14 V                                 | 9.7 V to 12.7 V                               | Transition |
| On  | 14 V to 30 V                                 | 12.7 V to 30 V                                | High       |

**Table 2. PIN DEFINITIONS**

| Pin # | Name     | Description  |
|-------|----------|--|
| 1     | NC       | Not Connected  |
| 2     | Anode    | LED Anode  |
| 3     | Cathode  | LED Cathode  |
| 4     | NC       | Not Connected  |
| 5     | $V_{SS}$ | Negative Supply Voltage                              |
| 6     | $V_{O2}$ | Output Voltage 2 (internally connected to $V_{O1}$ ) |
| 7     | $V_{O1}$ | Output Voltage 1                                     |
| 8     | $V_{DD}$ | Positive Supply Voltage                              |

**Table 3. SAFETY AND INSULATION RATINGS**

As per IEC 60747-5-2. This optocoupler is suitable for "safe electrical insulation" only within the safety limit data. Compliance with the safety ratings shall be ensured by means of protective circuits.

| Symbol         | Parameter  | Min.   | Typ.      | Max. | Unit       |
|----------------|--|--------|-----------|------|------------|
|                | Installation Classifications per DIN VDE 0110/1.89 Table 1   |        |           |      |            |
|                | For Rated Main Voltage < 150 Vrms  |        | I-IV      |      |            |
|                | For Rated Main Voltage < 300 Vrms  |        | I-IV      |      |            |
|                | For Rated Main Voltage < 450 Vrms  |        | I-III     |      |            |
|                | For Rated Main Voltage < 600 Vrms  |        | I-III     |      |            |
|                | Climatic Classification  |        | 55/100/21 |      |            |
|                | Pollution Degree (DIN VDE 0110/1.89)   |        | 2         |      |            |
| CTI            | Comparative Tracking Index   | 175    |           |      |            |
| $V_{PR}$       | Input to Output Test Voltage, Method b,<br>$V_{IORM} \times 1.875 = V_{PR}$ , 100% Production Test with $t_m = 1$ s,<br>Partial Discharge < 5 pC | 1669   |           |      |            |
|                | Input to Output Test Voltage, Method a,<br>$V_{IORM} \times 1.5 = V_{PR}$ , Type and Sample Test with $t_m = 60$ s,<br>Partial Discharge < 5 pC  | 1335   |           |      |            |
| $V_{IORM}$     | Max Working Insulation Voltage   | 890    |           |      | $V_{peak}$ |
| $V_{IOTM}$     | Highest Allowable Over Voltage   | 6000   |           |      | $V_{peak}$ |
|                | External Creepage  | 8      |           |      | mm         |
|                | External Clearance   | 7.4    |           |      | mm         |
|                | External Clearance (for Option T-0.4" Lead Spacing)  | 10.16  |           |      | mm         |
|                | Insulation Thickness   | 0.5    |           |      | mm         |
| $T_{Case}$     | Safety Limit Values – Maximum Values Allowed in the Event of a Failure<br>Case Temperature   | 150    |           |      | °C         |
| $I_{S,INPUT}$  | Input Current  | 25     |           |      | mA         |
| $P_{S,OUTPUT}$ | Output Power (Duty Factor $\leq 2.7\%$ )   | 250    |           |      | mW         |
| $R_{IO}$       | Insulation Resistance at $T_S$ , $V_{IO} = 500$ V  | $10^9$ |           |      | $\Omega$   |

# FOD3150

**Table 4. ABSOLUTE MAXIMUM RATINGS** ( $T_A = 25^\circ\text{C}$  unless otherwise specified.)

| Symbol                 | Parameter  | Value          | Units            |
|------------------------|--|----------------|------------------|
| $T_{STG}$              | Storage Temperature  | -55 to +125    | $^\circ\text{C}$ |
| $T_{OPR}$              | Operating Temperature  | -40 to +100    | $^\circ\text{C}$ |
| $T_J$                  | Junction Temperature   | -40 to +125    | $^\circ\text{C}$ |
| $T_{SOL}$              | Lead Wave Solder Temperature<br>(refer to page 12 for reflow solder profile) | 260 for 10 sec | $^\circ\text{C}$ |
| $I_{F(AVG)}$           | Average Input Current  | 25             | mA               |
| $V_R$                  | Reverse Input Voltage  | 5              | V                |
| $I_{O(PEAK)}$          | Peak Output Current <sup>(1)</sup>   | 1.5            | A                |
| $V_{DD} - V_{SS}$      | Supply Voltage   | 0 to 35        | V                |
| $V_{O(PEAK)}$          | Peak Output Voltage  | 0 to $V_{DD}$  | V                |
| $t_{R(IN)}, t_{F(IN)}$ | Input Signal Rise and Fall Time  | 500            | ns               |
| $PD_I$                 | Input Power Dissipation <sup>(2) (4)</sup>                                   | 45             | mW               |
| $PD_O$                 | Output Power Dissipation <sup>(3) (4)</sup>                                  | 250            | mW               |

Stresses exceeding those listed in the Maximum Ratings table may damage the device. If any of these limits are exceeded, device functionality should not be assumed, damage may occur and reliability may be affected.

1. Maximum pulse width = 10  $\mu\text{s}$ , maximum duty cycle = 0.2 %.
2. Derate linearly above 87 $^\circ\text{C}$ , free air temperature at a rate of 0.77 mW/ $^\circ\text{C}$ .
3. No derating required across temperature range.
4. Functional operation under these conditions is not implied. Permanent damage may occur if the device is subjected to conditions outside these ratings.

**Table 5. RECOMMENDED OPERATING CONDITIONS**

| Symbol            | Parameter                     | Value       | Units            |
|-------------------|-------------------------------|-------------|------------------|
| $T_A$             | Ambient Operating Temperature | -40 to +100 | $^\circ\text{C}$ |
| $V_{DD} - V_{SS}$ | Power Supply                  | 15 to 30    | V                |
| $I_{F(ON)}$       | Input Current (ON)            | 7 to 16     | mA               |
| $V_{F(OFF)}$      | Input Voltage (OFF)           | 0 to 0.8    | V                |

Functional operation above the stresses listed in the Recommended Operating Ranges is not implied. Extended exposure to stresses beyond the Recommended Operating Ranges limits may affect device reliability.

**Table 6. ISOLATION CHARACTERISTICS**

Apply over all recommended conditions, typical value is measured at  $T_A = 25^\circ\text{C}$

| Symbol    | Parameter                      | Conditions  | Min. | Typ.      | Max. | Units     |
|-----------|--------------------------------|---|------|-----------|------|-----------|
| $V_{ISO}$ | Input-Output Isolation Voltage | $T_A = 25^\circ\text{C}$ , R.H. < 50 %, $t = 1.0$ minute,<br>$I_{I-O} \leq 10 \mu\text{A}$ , 50 Hz <sup>(5) (6)</sup> | 5000 |           |      | $V_{RMS}$ |
| $R_{ISO}$ | Isolation Resistance           | $V_{I-O} = 500 \text{ V}$ <sup>(5)</sup>  |      | $10^{11}$ |      | $\Omega$  |
| $C_{ISO}$ | Isolation Capacitance          | $V_{I-O} = 0 \text{ V}$ , Frequency = 1.0 MHz <sup>(5)</sup>  |      | 1         |      | pF        |

5. Device is considered a two terminal device: pins 2 and 3 are shorted together and pins 5, 6, 7 and 8 are shorted together.
6. 5,000  $V_{RMS}$  for 1 minute duration is equivalent to 6,000  $V_{ACRMS}$  for 1 second duration.

**Table 7. ELECTRICAL CHARACTERISTICS**

Apply over all recommended conditions, typical value is measured at  $V_{DD} = 30 \text{ V}$ ,  $V_{SS} = \text{Ground}$ ,  $T_A = 25^\circ\text{C}$  unless otherwise specified.

| Symbol              | Parameter                                  | Conditions             | Min. | Typ. | Max. | Units                |
|---------------------|--|------------------------|------|------|------|----------------------|
| $V_F$               | Input Forward Voltage                      | $I_F = 10 \text{ mA}$  | 1.2  | 1.5  | 1.8  | V                    |
| $\Delta(V_F / T_A)$ | Temperature Coefficient of Forward Voltage |                        |      | -1.8 |      | mV/ $^\circ\text{C}$ |
| $BV_R$              | Input Reverse Breakdown Voltage            | $I_R = 10 \mu\text{A}$ | 5    |      |      | V                    |

# FOD3150

**Table 7. ELECTRICAL CHARACTERISTICS** (continued)

Apply over all recommended conditions, typical value is measured at  $V_{DD} = 30\text{ V}$ ,  $V_{SS} = \text{Ground}$ ,  $T_A = 25^\circ\text{C}$  unless otherwise specified.

| Symbol       | Parameter                                  | Conditions   | Min.                    | Typ.                    | Max.                    | Units |
|--------------|--|--|-------------------------|-------------------------|-------------------------|-------|
| $C_{IN}$     | Input Capacitance                          | $f = 1\text{ MHz}$ , $V_F = 0\text{ V}$                |                         | 60                      |                         | pF    |
| $I_{OH}$     | High Level Output Current <sup>(7)</sup>   | $V_O = V_{DD} - 0.75\text{ V}$                         | 0.2                     |                         |                         | A     |
|              |  | $V_O = V_{DD} - 4\text{ V}$                            | 1.0                     |                         |                         |       |
| $I_{OL}$     | Low Level Output Current <sup>(7)</sup>    | $V_O = V_{DD} + 0.75\text{ V}$                         | 0.2                     |                         |                         | A     |
|              |  | $V_O = V_{DD} + 4\text{ V}$                            | 1.0                     |                         |                         |       |
| $V_{OH}$     | High Level Output Voltage                  | $I_F = 10\text{ mA}$ , $I_O = -1\text{ A}$             | $V_{DD} - 6\text{ V}$   | $V_{DD} - 4\text{ V}$   |                         | V     |
|              |  | $I_F = 10\text{ mA}$ , $I_O = -100\text{ mA}$          | $V_{DD} - 0.5\text{ V}$ | $V_{DD} - 0.1\text{ V}$ |                         |       |
| $V_{OL}$     | Low Level Output Voltage                   | $I_F = 0\text{ mA}$ , $I_O = 1\text{ A}$               |                         | $V_{SS} + 4\text{ V}$   | $V_{SS} + 6\text{ V}$   | V     |
|              |  | $I_F = 0\text{ mA}$ , $I_O = 100\text{ mA}$            |                         | $V_{SS} + 0.1\text{ V}$ | $V_{SS} + 0.5\text{ V}$ |       |
| $I_{DDH}$    | High Level Supply Current                  | $V_O = \text{Open}$ , $I_F = 7\text{ to }16\text{ mA}$ |                         | 2.8                     | 5                       | mA    |
| $I_{DDL}$    | Low Level Supply Current                   | $V_O = \text{Open}$ , $V_F = 0\text{ to }0.8\text{ V}$ |                         | 2.8                     | 5                       | mA    |
| $I_{FLH}$    | Threshold Input Current Low to High        | $I_O = 0\text{ mA}$ , $V_O > 5\text{ V}$               |                         | 2.3                     | 5.0                     | mA    |
| $V_{FHL}$    | Threshold Input Voltage High to Low        | $I_O = 0\text{ mA}$ , $V_O < 5\text{ V}$               | 0.8                     |                         |                         | V     |
| $V_{UVLO+}$  | Under Voltage Lockout Threshold            | $I_F = 1\text{ mA}$ , $V_O > 5\text{ V}$               | 11                      | 12.7                    | 14                      | V     |
| $V_{UVLO-}$  |  | $I_F = 10\text{ mA}$ , $V_O < 5\text{ V}$              | 9.7                     | 11.2                    | 12.7                    | V     |
| $UVLO_{HYS}$ | Under Voltage Lockout Threshold Hysteresis |  |                         | 1.5                     |                         | V     |

Product parametric performance is indicated in the Electrical Characteristics for the listed test conditions, unless otherwise noted. Product performance may not be indicated by the Electrical Characteristics if operated under different conditions.

7. Maximum pulse width = 10  $\mu\text{s}$ , maximum duty cycle = 0.2 %.

**Table 8. SWITCHING CHARACTERISTICS**

Apply over all recommended conditions, typical value is measured at  $V_{DD} = 30\text{ V}$ ,  $V_{SS} = \text{Ground}$ ,  $T_A = 25^\circ\text{C}$  unless otherwise specified.

| Symbol          | Parameter  | Conditions  | Min.                                      | Typ. | Max. | Units             |
|-----------------|--|---|---|------|------|-------------------|
| $t_{PHL}$       | Propagation Delay Time to Logic Low Output   | $I_F = 7\text{ mA to }16\text{ mA}$ ,<br>$R_g = 20\ \Omega$ , $C_g = 10\text{ nF}$ ,<br>$f = 10\text{ kHz}$ , Duty Cycle = 50 %   | 100                                       | 275  | 500  | ns                |
| $t_{PLH}$       | Propagation Delay Time to Logic High Output  |   | 100                                       | 255  | 500  | ns                |
| PWD             | Pulse Width Distortion, $ t_{PHL} - t_{PLH} $  |   |   | 20   | 300  | ns                |
| PDD (Skew)      | Propagation Delay Difference Between Any Two Parts or Channels, $(t_{PHL} - t_{PLH})$ <sup>(8)</sup> |   |   | -350 | 350  | ns                |
| $t_r$           | Output Rise Time (10% – 90%)   |   |   |      | 60   | ns                |
| $t_f$           | Output Fall Time (90% – 10%)   |   |   |      | 60   | ns                |
| $t_{UVLO\ ON}$  | UVLO Turn On Delay   |   | $I_F = 10\text{ mA}$ , $V_O > 5\text{ V}$ |      | 1.6  |                   |
| $t_{UVLO\ OFF}$ | UVLO Turn Off Delay  | $I_F = 10\text{ mA}$ , $V_O < 5\text{ V}$   |   | 0.4  |      | $\mu\text{s}$     |
| $ CM_H $        | Common Mode Transient Immunity at Output High  | $T_A = 25^\circ\text{C}$ , $V_{DD} = 30\text{ V}$ ,<br>$I_F = 7\text{ to }16\text{ mA}$ , $V_{CM} = 2000\text{ V}$ <sup>(9)</sup> | 20  | 50   |      | kV/ $\mu\text{s}$ |
| $ CM_L $        | Common Mode Transient Immunity at Output Low   | $T_A = 25^\circ\text{C}$ , $V_{DD} = 30\text{ V}$ , $V_F = 0\text{ V}$ ,<br>$V_{CM} = 2000\text{ V}$ <sup>(10)</sup>              | 20  | 50   |      | kV/ $\mu\text{s}$ |

8. The difference between  $t_{PHL}$  and  $t_{PLH}$  between any two FOD3150 parts under same test conditions.

9. Common mode transient immunity at output high is the maximum tolerable negative  $dV_{cm}/dt$  on the trailing edge of the common mode impulse signal,  $V_{cm}$ , to assure that the output will remain high (i.e.,  $V_O > 15.0\text{ V}$ ).

10. Common mode transient immunity at output low is the maximum tolerable positive  $dV_{cm}/dt$  on the leading edge of the common pulse signal,  $V_{cm}$ , to assure that the output will remain low (i.e.,  $V_O < 1.0\text{ V}$ ).

TYPICAL PERFORMANCE CURVES

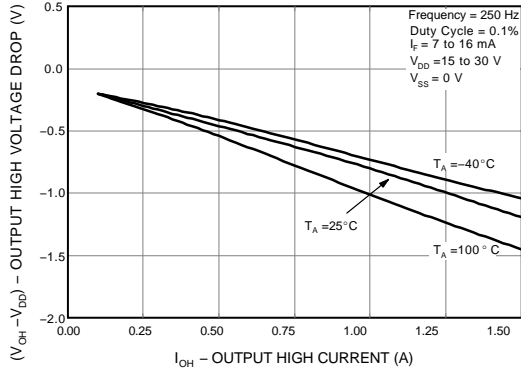


Figure 1. Output High Voltage Drop vs. Output High Current

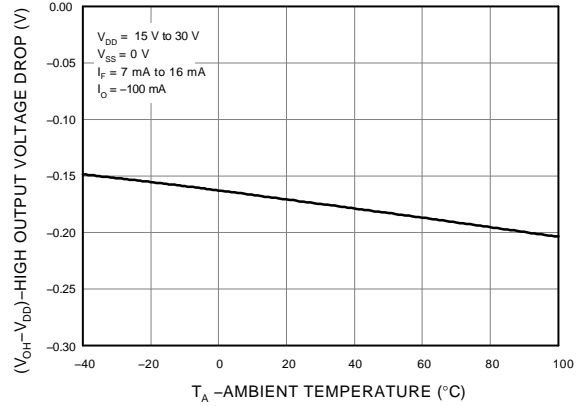


Figure 2. Output High Voltage Drop vs. Ambient Temperature

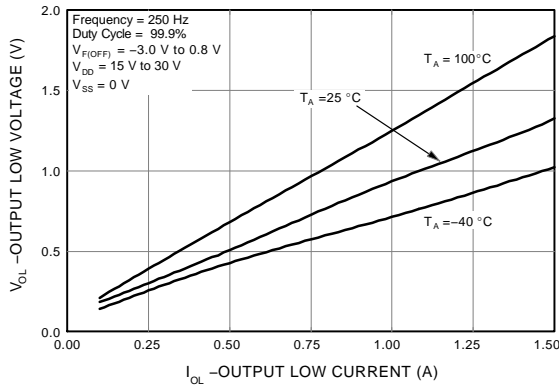


Figure 3. Output Low Voltage vs. Output Low Current

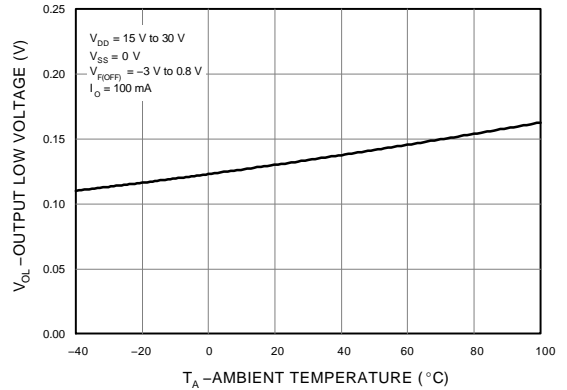


Figure 4. Output Low Voltage vs. Ambient Temperature

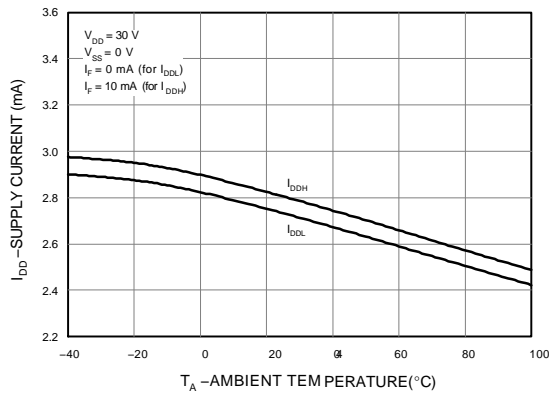


Figure 5. Supply Current vs. Ambient Temperature

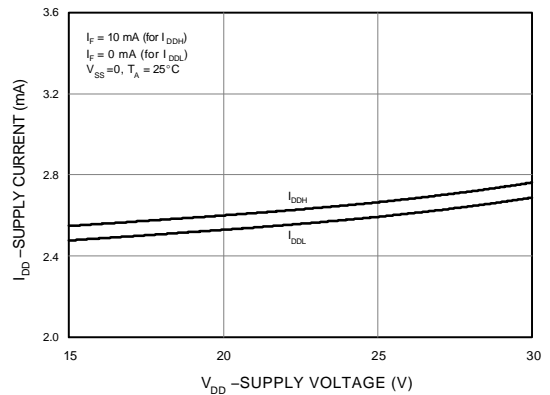


Figure 6. Supply Current vs. Supply Voltage

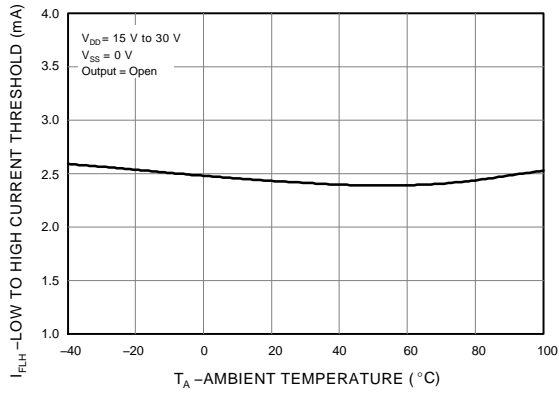


Figure 7. Low to High Input Current Threshold vs. Ambient Temperature

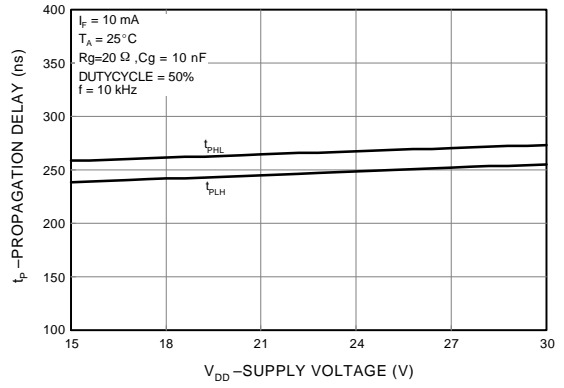


Figure 8. Propagation Delay vs. Supply Voltage

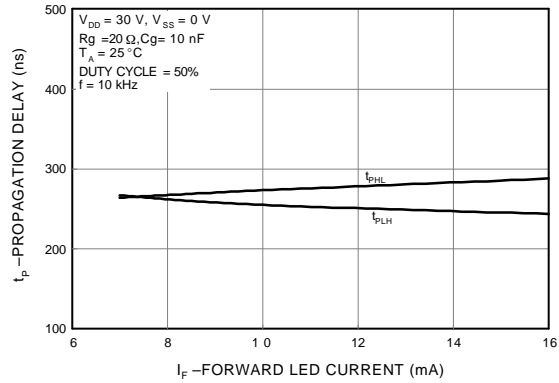


Figure 9. Propagation Delay vs. LED Forward Current

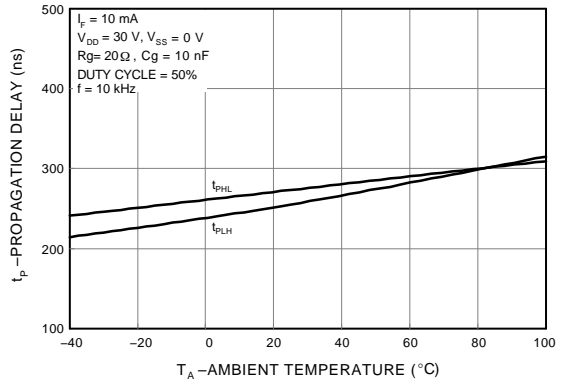


Figure 10. Propagation Delay vs. Ambient Temperature

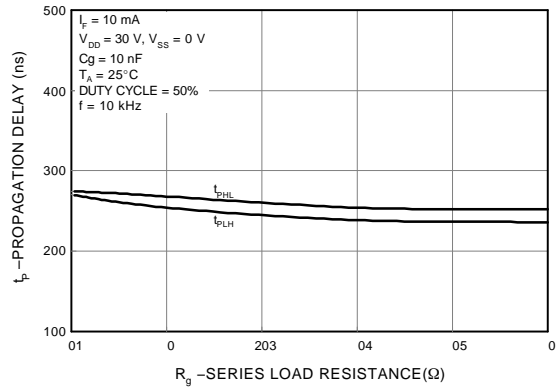


Figure 11. Propagation Delay vs. Series Load Resistance

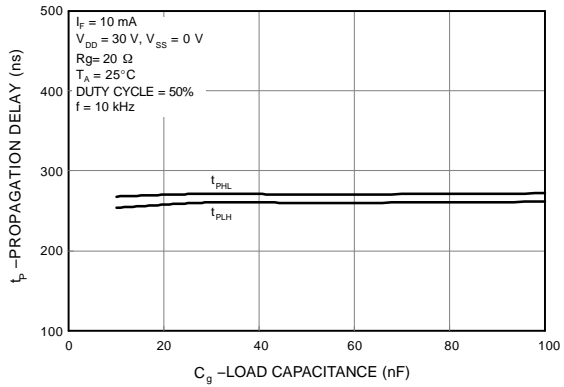


Figure 12. Propagation Delay vs. Load Capacitance

# FOD3150

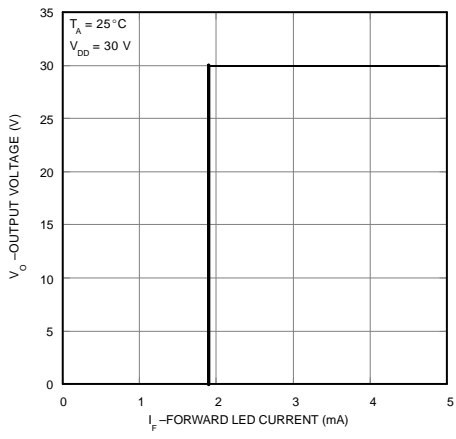


Figure 13. Transfer Characteristics

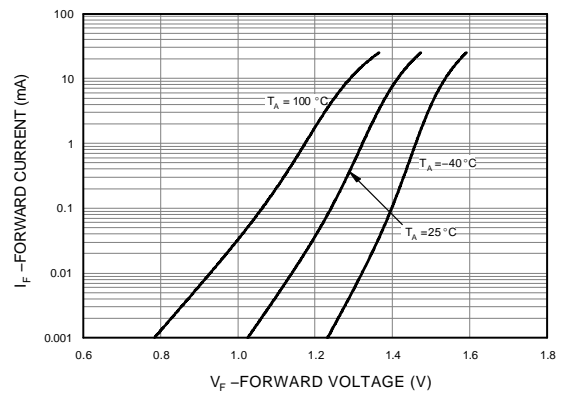


Figure 14. Input Forward Current vs. Forward Voltage

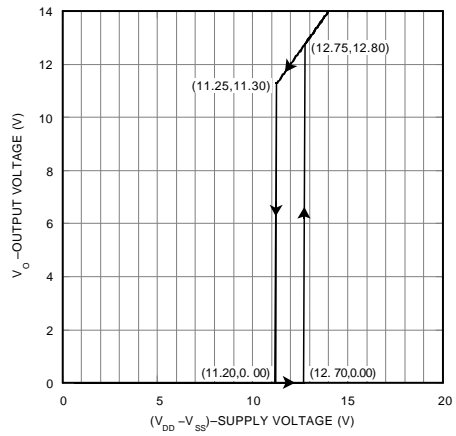


Figure 15. Under Voltage Lockout

# FOD3150

## TEST CIRCUIT

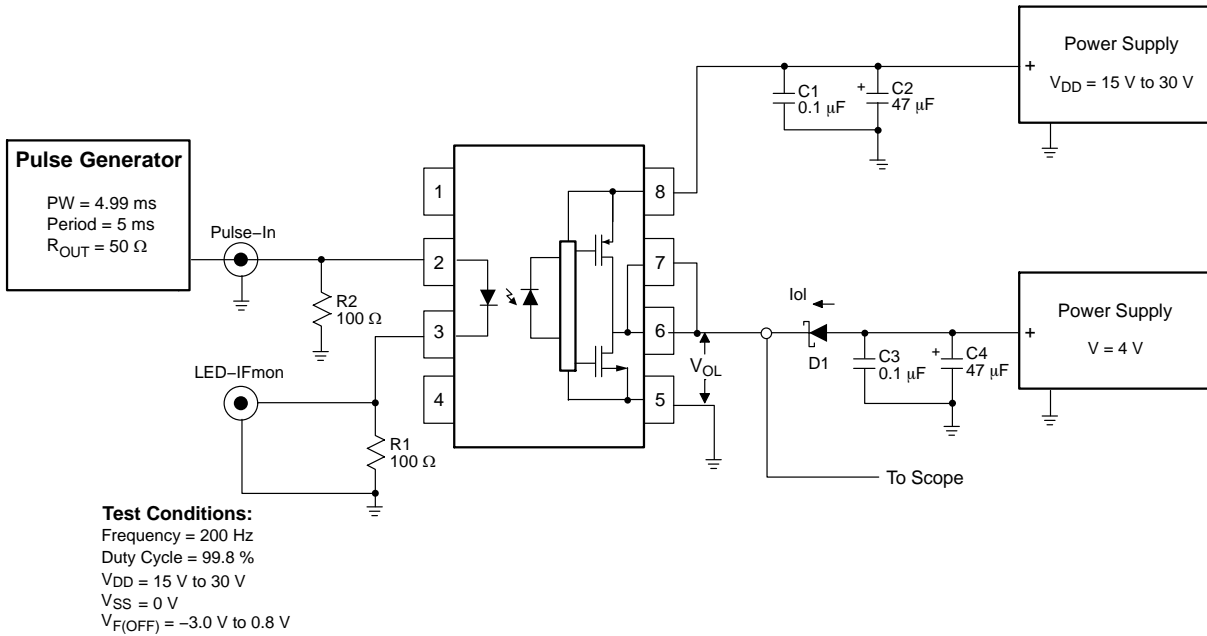


Figure 16.  $I_{OL}$  Test Circuit

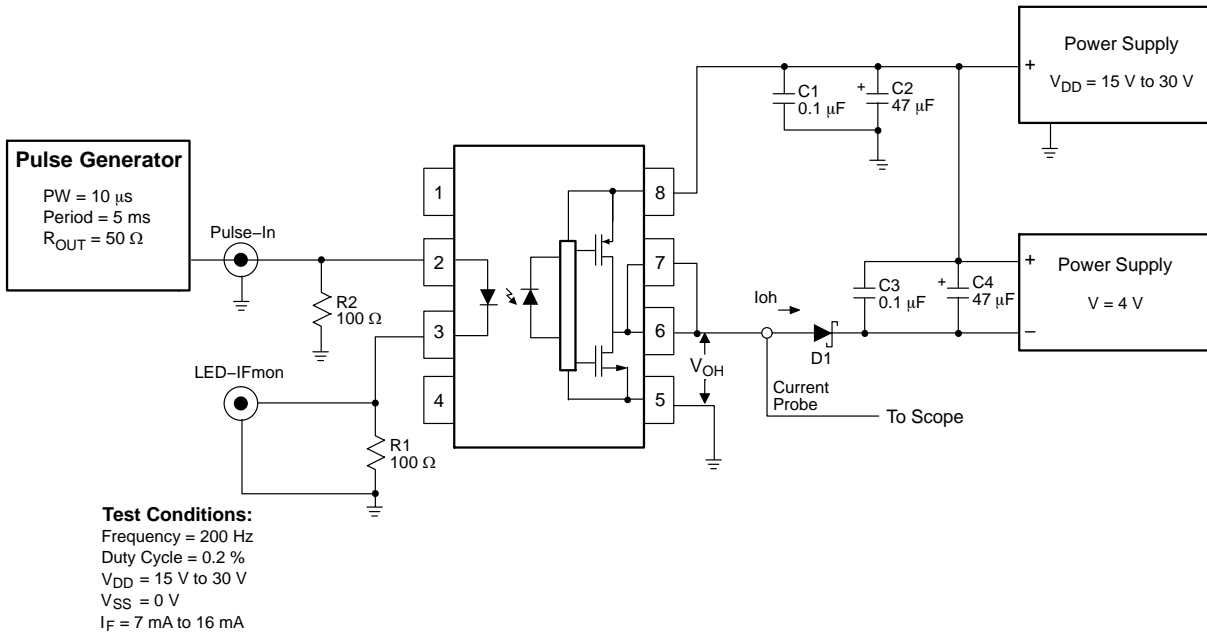


Figure 17.  $I_{OH}$  Test Circuit



# FOD3150

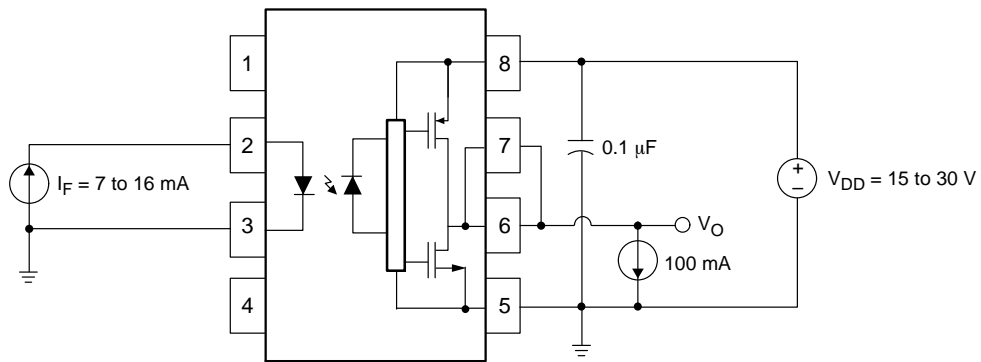


Figure 18.  $V_{OH}$  Test Circuit

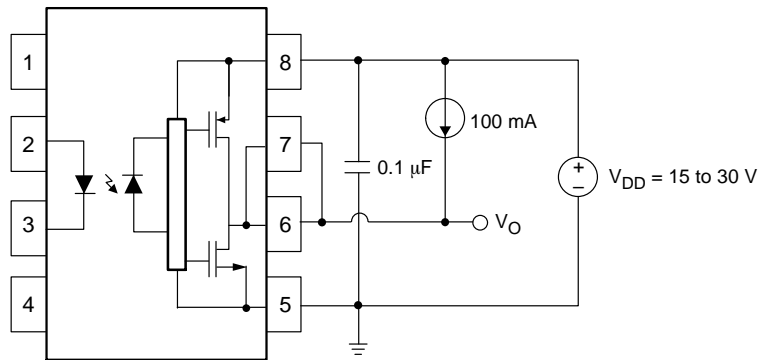


Figure 19.  $V_{OL}$  Test Circuit

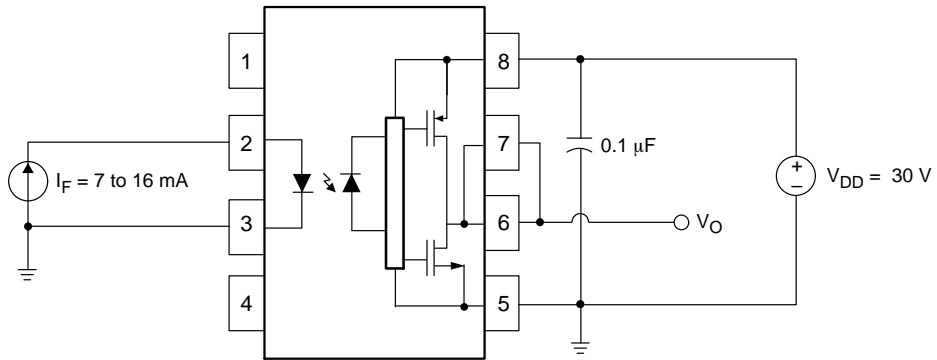


Figure 20.  $I_{DDH}$  Test Circuit

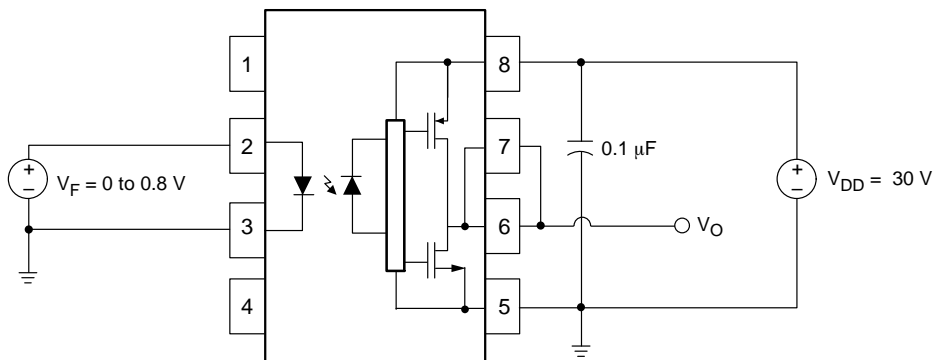


Figure 21.  $I_{DDL}$  Test Circuit

# FOD3150

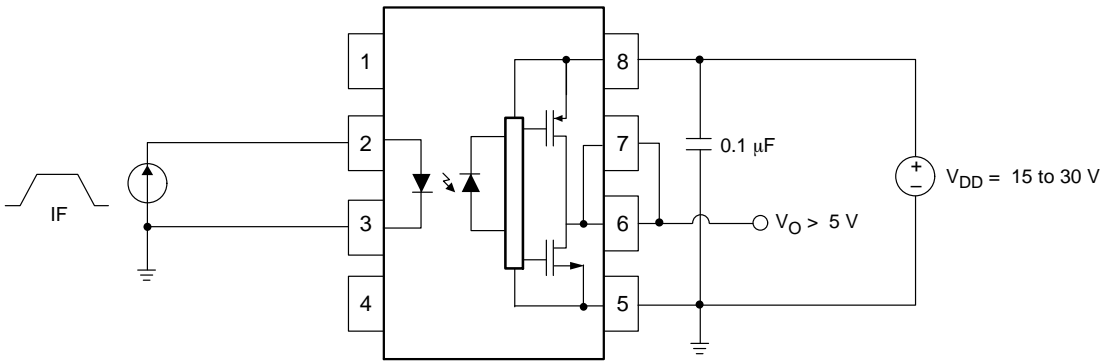


Figure 22.  $I_{FLH}$  Test Circuit

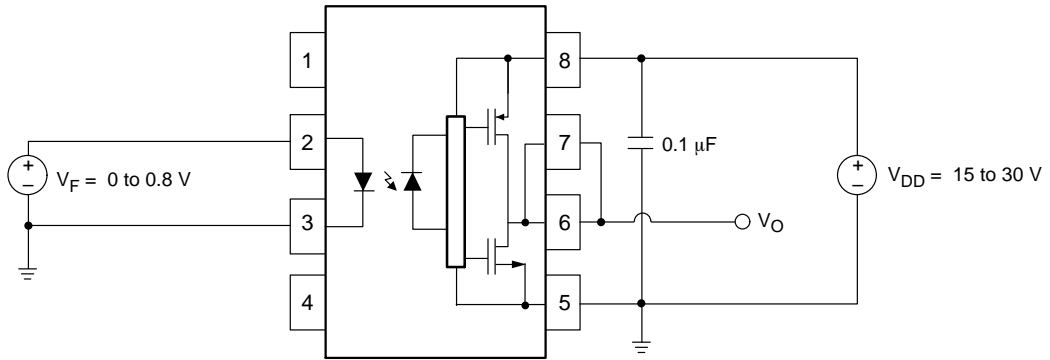


Figure 23.  $V_{FHL}$  Test Circuit

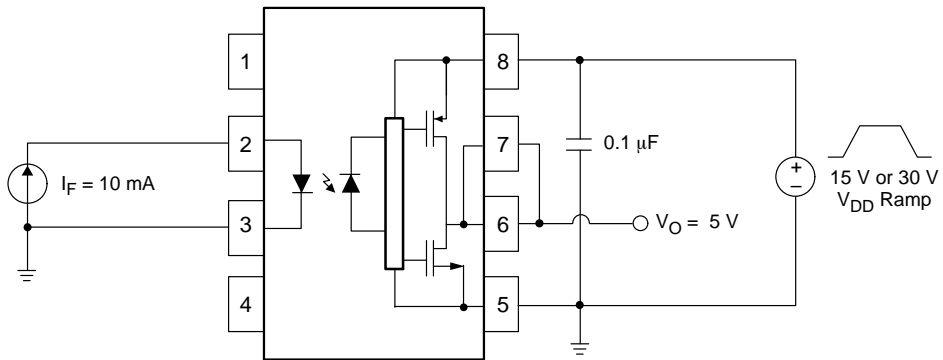


Figure 24. UVLO Test Circuit

# FOD3150

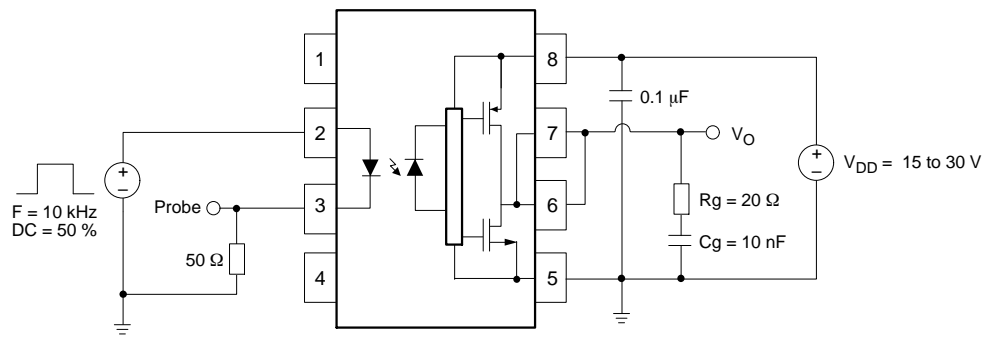


Figure 25.  $t_{PHL}$ ,  $t_{PLH}$ ,  $t_R$  and  $t_F$  Test Circuit and Waveforms

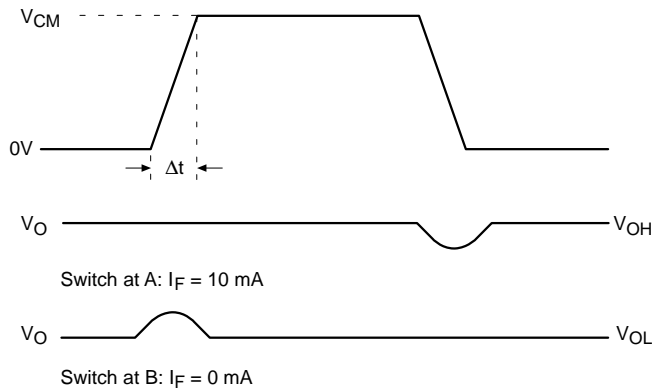
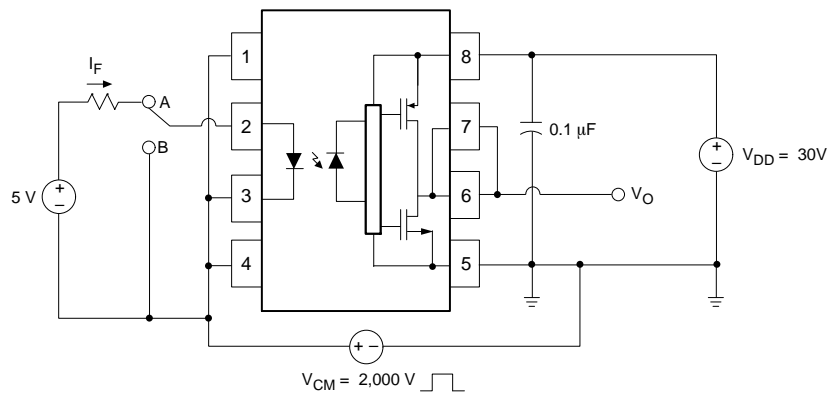
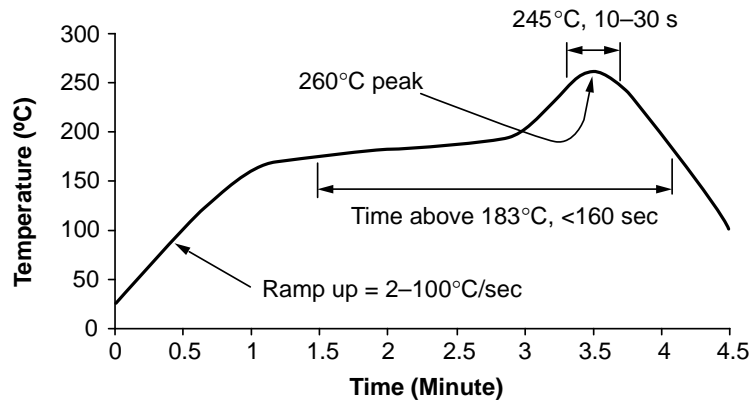


Figure 26. CMR Test Circuit and Waveforms

# FOD3150

## REFLOW PROFILE



**Notes:**

- Peak reflow temperature: 260°C (package surface temperature)
- Time of temperature higher than 183°C for 160 seconds or less
- One time soldering reflow is recommended

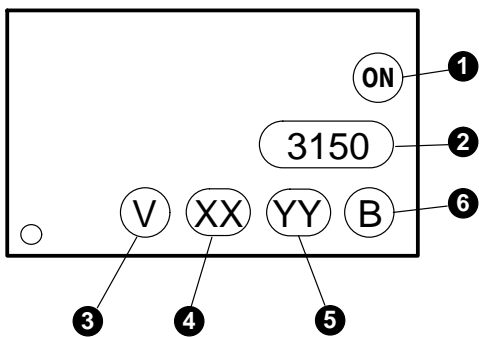
**Figure 27. Reflow Profile**

## ORDERING INFORMATION

| Part Number  | Package   | Shipping†           |
|--------------|---|---------------------|
| FOD3150      | DIP 8-Pin   | 50 / Tube           |
| FOD3150S     | SMT 8-Pin (Lead Bend)                             | 50 / Tube           |
| FOD3150SD    | SMT 8-Pin (Lead Bend)                             | 1,000 / Tape & Reel |
| FOD3150V     | DIP 8-Pin, IEC60747–5–5 option                    | 50 / Tube           |
| FOD3150SV    | SMT 8-Pin (Lead Bend), IEC60747–5–5 option        | 50 / Tube           |
| FOD3150SDV   | SMT 8-Pin (Lead Bend), IEC60747–5–5 option        | 1,000 / Tape & Reel |
| FOD3150TV    | DIP 8-Pin, 0.4" Lead Spacing, IEC60747–5–5 option | 50 / Tube           |
| FOD3150TSV   | SMT 8-Pin, 0.4" Lead Spacing, IEC60747–5–5 option | 50 / Tube           |
| FOD3150TSR2V | SMT 8-Pin, 0.4" Lead Spacing, IEC60747–5–5 option | 700 / Tape & Reel   |

†For information on tape and reel specifications, including part orientation and tape sizes, please refer to our Tape and Reel Packaging Specifications Brochure, BRD8011/D

## MARKING INFORMATION



**Figure 28. Device Marking**

| Definitions |  |
|-------------|--|
| 1           | ON Semiconductor logo  |
| 2           | Device number  |
| 3           | IEC60747–5–5 Option (only appears on component ordered with this option) |
| 4           | Two digit year code, e.g., '18'  |
| 5           | Two digit work week ranging from '01' to '53'                            |
| 6           | Assembly package code  |

# FOD3150

## CARRIER TAPE SPECIFICATIONS

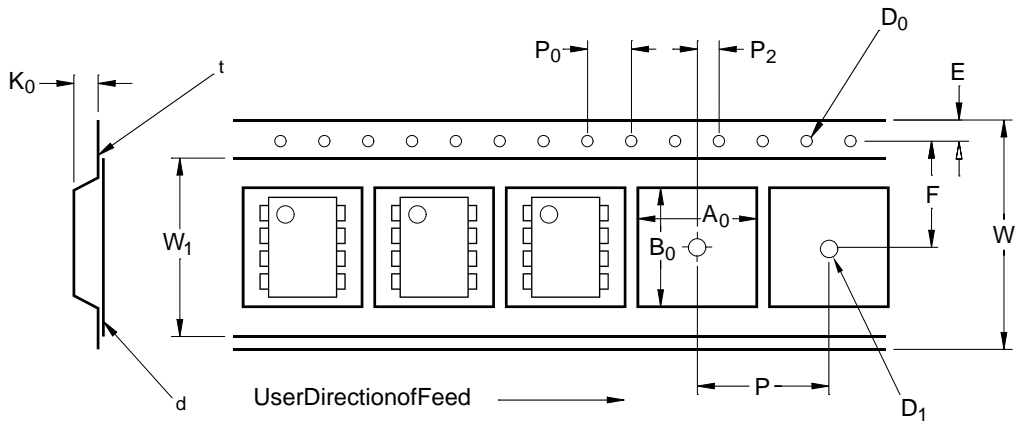


Figure 29. Carrier Tape Specifications

| Symbol         | Description                     | Dimension in mm |
|----------------|---------------------------------|-----------------|
| W              | Tape Width                      | 16.0 ± 0.3      |
| t              | Tape Thickness                  | 0.30 ± 0.05     |
| P <sub>0</sub> | Sprocket Hole Pitch             | 4.0 ± 0.1       |
| D <sub>0</sub> | Sprocket Hole Diameter          | 1.55 ± 0.05     |
| E              | Sprocket Hole Location          | 1.75 ± 0.10     |
| F              | Pocket Location                 | 7.5 ± 0.1       |
| P <sub>2</sub> |                                 | 2.0 ± 0.1       |
| P              | Pocket Pitch                    | 12.0 ± 0.1      |
| A <sub>0</sub> | Pocket Dimensions               | 10.30 ± 0.20    |
| B <sub>0</sub> |                                 | 10.30 ± 0.20    |
| K <sub>0</sub> |                                 | 4.90 ± 0.20     |
| W <sub>1</sub> | Cover Tape Width                | 13.2 ± 0.2      |
| d              | Cover Tape Thickness            | 0.1 max         |
|                | Max. Component Rotation or Tilt | 10°             |
| R              | Min. Bending Radius             | 30              |

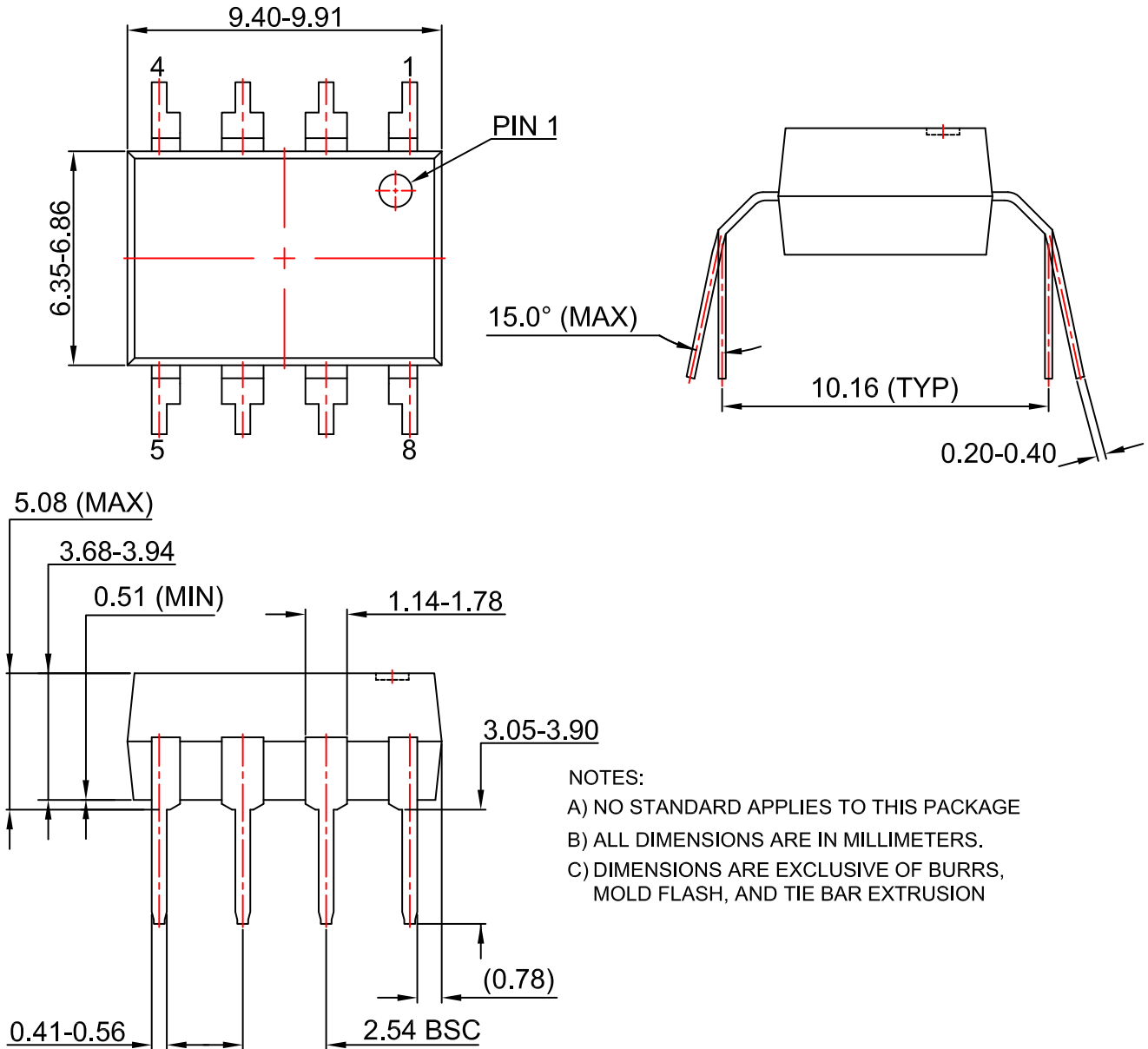
**MECHANICAL CASE OUTLINE**  
**PACKAGE DIMENSIONS**

ON Semiconductor®



**PDIP8 6.6x3.81, 2.54P**  
CASE 646BW  
ISSUE O

DATE 31 JUL 2016



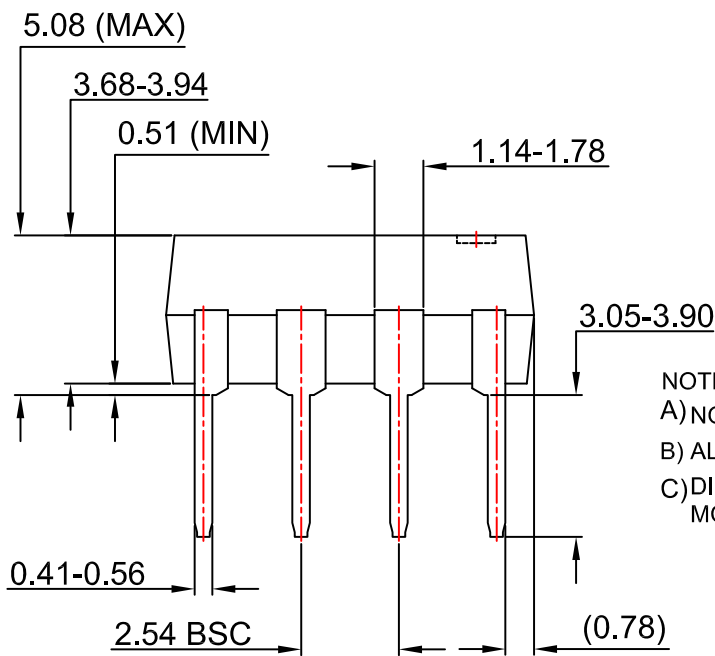
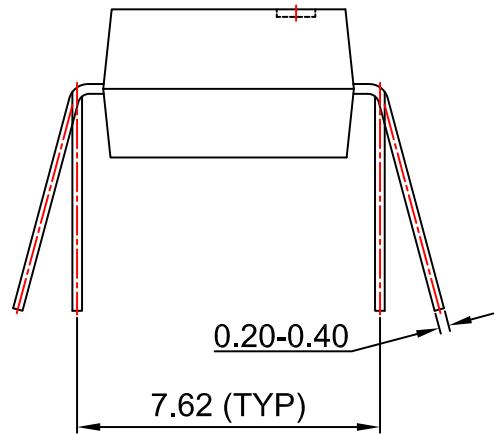
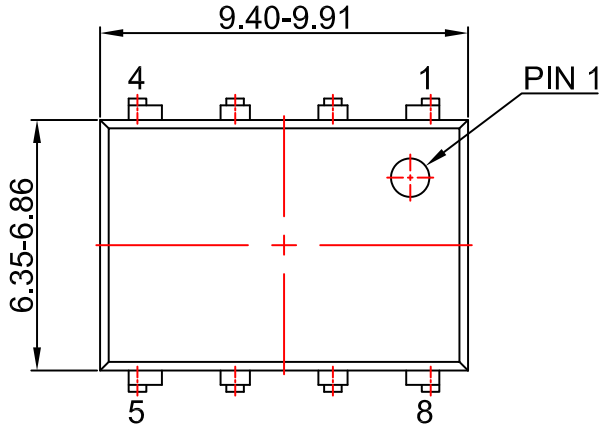
|                         |                              |  |
|-------------------------|------------------------------|--|
| <b>DOCUMENT NUMBER:</b> | <b>98AON13445G</b>           | Electronic versions are uncontrolled except when accessed directly from the Document Repository. Printed versions are uncontrolled except when stamped "CONTROLLED COPY" in red. |
| <b>DESCRIPTION:</b>     | <b>PDIP8 6.6X3.81, 2.54P</b> | <b>PAGE 1 OF 1</b>   |

ON Semiconductor and are trademarks of Semiconductor Components Industries, LLC dba ON Semiconductor or its subsidiaries in the United States and/or other countries. ON Semiconductor reserves the right to make changes without further notice to any products herein. ON Semiconductor makes no warranty, representation or guarantee regarding the suitability of its products for any particular purpose, nor does ON Semiconductor assume any liability arising out of the application or use of any product or circuit, and specifically disclaims any and all liability, including without limitation special, consequential or incidental damages. ON Semiconductor does not convey any license under its patent rights nor the rights of others.

**MECHANICAL CASE OUTLINE**  
**PACKAGE DIMENSIONS**

PDIP8 9.655x6.6, 2.54P  
CASE 646CQ  
ISSUE O

DATE 18 SEP 2017



NOTES:  
A) NO STANDARD APPLIES TO THIS PACKAGE  
B) ALL DIMENSIONS ARE IN MILLIMETERS.  
C) DIMENSIONS ARE EXCLUSIVE OF BURRS, MOLD FLASH, AND TIE BAR EXTRUSION

|                         |                               |  |
|-------------------------|-------------------------------|--|
| <b>DOCUMENT NUMBER:</b> | <b>98AON13446G</b>            | Electronic versions are uncontrolled except when accessed directly from the Document Repository. Printed versions are uncontrolled except when stamped "CONTROLLED COPY" in red. |
| <b>DESCRIPTION:</b>     | <b>PDIP8 9.655X6.6, 2.54P</b> | <b>PAGE 1 OF 1</b>   |

ON Semiconductor and **ON** are trademarks of Semiconductor Components Industries, LLC dba ON Semiconductor or its subsidiaries in the United States and/or other countries. ON Semiconductor reserves the right to make changes without further notice to any products herein. ON Semiconductor makes no warranty, representation or guarantee regarding the suitability of its products for any particular purpose, nor does ON Semiconductor assume any liability arising out of the application or use of any product or circuit, and specifically disclaims any and all liability, including without limitation special, consequential or incidental damages. ON Semiconductor does not convey any license under its patent rights nor the rights of others.

# MECHANICAL CASE OUTLINE

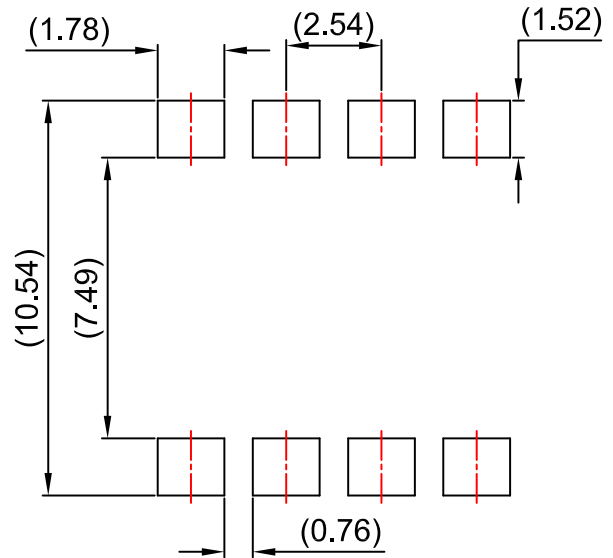
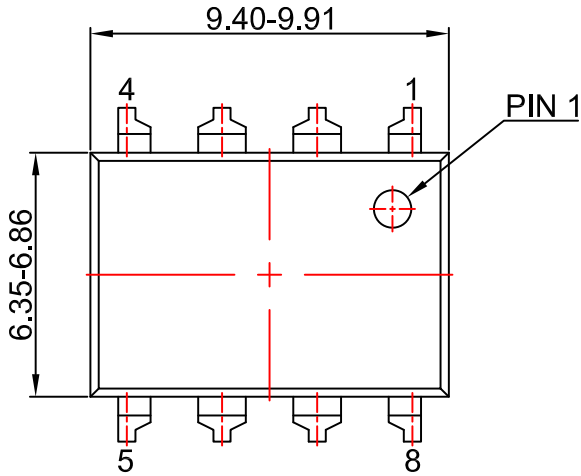
## PACKAGE DIMENSIONS

ON Semiconductor®

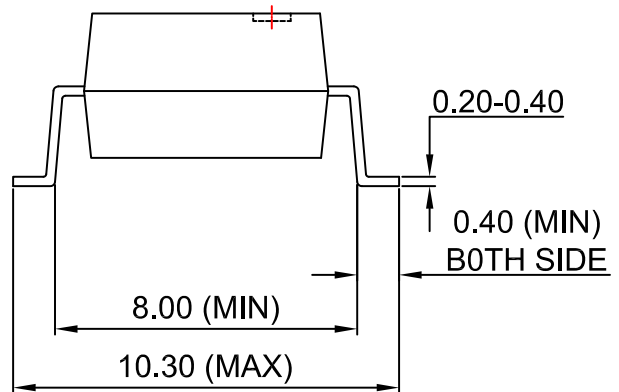
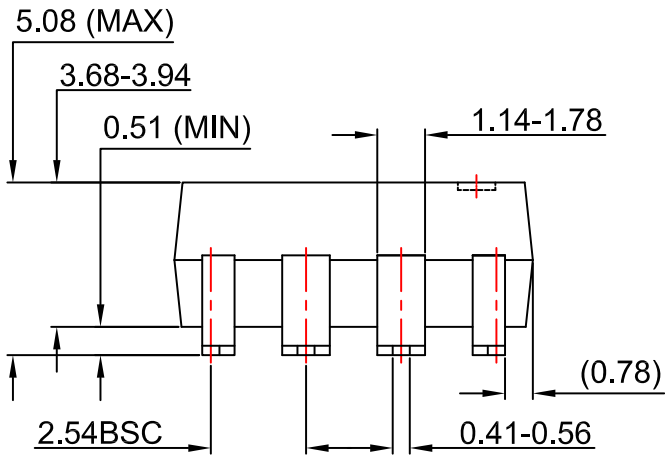


**PDIP8 GW**  
CASE 709AC  
ISSUE O

DATE 31 JUL 2016



LAND PATTERN RECOMMENDATION



**NOTES:**

- A) NO STANDARD APPLIES TO THIS PACKAGE
- B) ALL DIMENSIONS ARE IN MILLIMETERS.
- C) DIMENSIONS ARE EXCLUSIVE OF BURRS, MOLD FLASH, AND TIE BAR EXTRUSION

|                         |                    |  |
|-------------------------|--------------------|--|
| <b>DOCUMENT NUMBER:</b> | <b>98AON13447G</b> | Electronic versions are uncontrolled except when accessed directly from the Document Repository. Printed versions are uncontrolled except when stamped "CONTROLLED COPY" in red. |
| <b>DESCRIPTION:</b>     | <b>PDIP8 GW</b>    | <b>PAGE 1 OF 1</b>   |

ON Semiconductor and are trademarks of Semiconductor Components Industries, LLC dba ON Semiconductor or its subsidiaries in the United States and/or other countries. ON Semiconductor reserves the right to make changes without further notice to any products herein. ON Semiconductor makes no warranty, representation or guarantee regarding the suitability of its products for any particular purpose, nor does ON Semiconductor assume any liability arising out of the application or use of any product or circuit, and specifically disclaims any and all liability, including without limitation special, consequential or incidental damages. ON Semiconductor does not convey any license under its patent rights nor the rights of others.



# MECHANICAL CASE OUTLINE

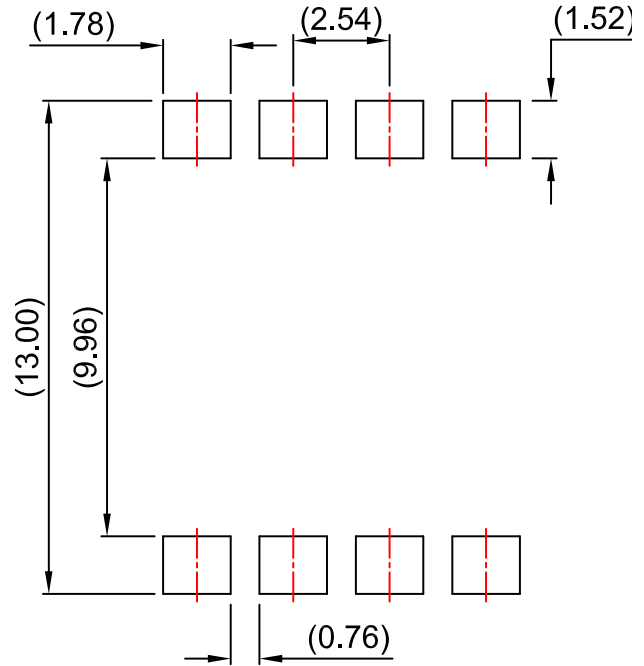
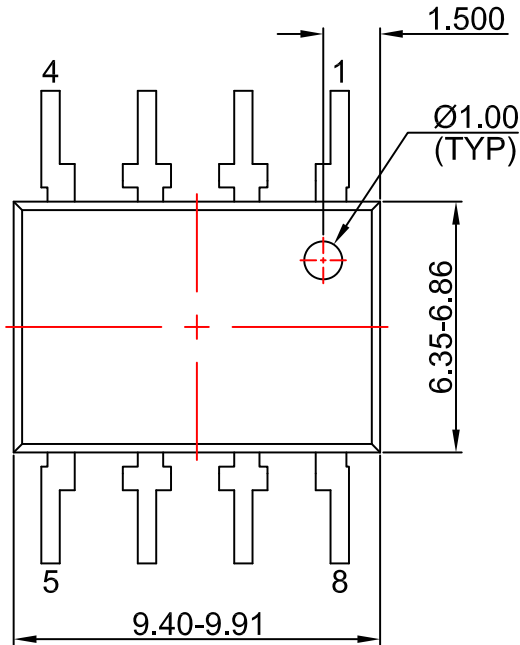
## PACKAGE DIMENSIONS

ON Semiconductor®

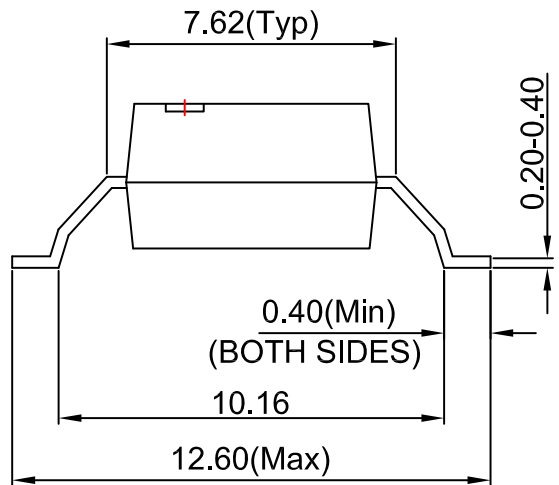
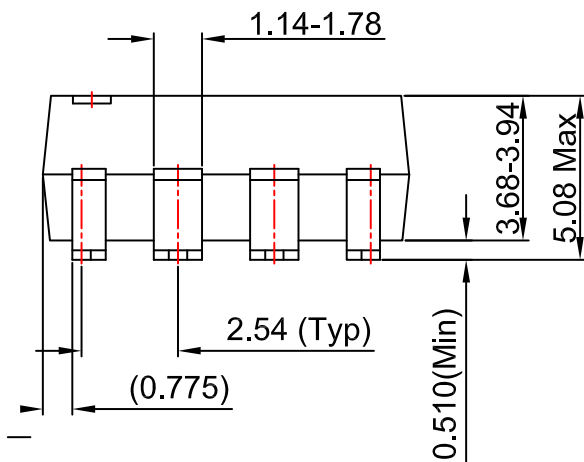


PDIP8 GW  
CASE 709AD  
ISSUE O

DATE 31 JUL 2016



LAND PATTERN RECOMMENDATION



NOTES:

- A) NO STANDARD APPLIES TO THIS PACKAGE
- B) ALL DIMENSIONS ARE IN MILLIMETERS.
- C) DIMENSIONS ARE EXCLUSIVE OF BURRS, MOLD FLASH, AND TIE BAR EXTRUSION

|                         |                    |  |
|-------------------------|--------------------|--|
| <b>DOCUMENT NUMBER:</b> | <b>98AON13448G</b> | Electronic versions are uncontrolled except when accessed directly from the Document Repository. Printed versions are uncontrolled except when stamped "CONTROLLED COPY" in red. |
| <b>DESCRIPTION:</b>     | <b>PDIP8 GW</b>    | <b>PAGE 1 OF 1</b>   |

ON Semiconductor and are trademarks of Semiconductor Components Industries, LLC dba ON Semiconductor or its subsidiaries in the United States and/or other countries. ON Semiconductor reserves the right to make changes without further notice to any products herein. ON Semiconductor makes no warranty, representation or guarantee regarding the suitability of its products for any particular purpose, nor does ON Semiconductor assume any liability arising out of the application or use of any product or circuit, and specifically disclaims any and all liability, including without limitation special, consequential or incidental damages. ON Semiconductor does not convey any license under its patent rights nor the rights of others.

**onsemi**, **Onsemi**, and other names, marks, and brands are registered and/or common law trademarks of Semiconductor Components Industries, LLC dba "**onsemi**" or its affiliates and/or subsidiaries in the United States and/or other countries. **onsemi** owns the rights to a number of patents, trademarks, copyrights, trade secrets, and other intellectual property. A listing of **onsemi**'s product/patent coverage may be accessed at [www.onsemi.com/site/pdf/Patent-Marking.pdf](http://www.onsemi.com/site/pdf/Patent-Marking.pdf). **onsemi** reserves the right to make changes at any time to any products or information herein, without notice. The information herein is provided "as-is" and **onsemi** makes no warranty, representation or guarantee regarding the accuracy of the information, product features, availability, functionality, or suitability of its products for any particular purpose, nor does **onsemi** assume any liability arising out of the application or use of any product or circuit, and specifically disclaims any and all liability, including without limitation special, consequential or incidental damages. Buyer is responsible for its products and applications using **onsemi** products, including compliance with all laws, regulations and safety requirements or standards, regardless of any support or applications information provided by **onsemi**. "Typical" parameters which may be provided in **onsemi** data sheets and/or specifications can and do vary in different applications and actual performance may vary over time. All operating parameters, including "Typicals" must be validated for each customer application by customer's technical experts. **onsemi** does not convey any license under any of its intellectual property rights nor the rights of others. **onsemi** products are not designed, intended, or authorized for use as a critical component in life support systems or any FDA Class 3 medical devices or medical devices with a same or similar classification in a foreign jurisdiction or any devices intended for implantation in the human body. Should Buyer purchase or use **onsemi** products for any such unintended or unauthorized application, Buyer shall indemnify and hold **onsemi** and its officers, employees, subsidiaries, affiliates, and distributors harmless against all claims, costs, damages, and expenses, and reasonable attorney fees arising out of, directly or indirectly, any claim of personal injury or death associated with such unintended or unauthorized use, even if such claim alleges that **onsemi** was negligent regarding the design or manufacture of the part. **onsemi** is an Equal Opportunity/Affirmative Action Employer. This literature is subject to all applicable copyright laws and is not for resale in any manner.

## ADDITIONAL INFORMATION

### TECHNICAL PUBLICATIONS:

Technical Library: [www.onsemi.com/design/resources/technical-documentation](http://www.onsemi.com/design/resources/technical-documentation)  
onsemi Website: [www.onsemi.com](http://www.onsemi.com)

### ONLINE SUPPORT: [www.onsemi.com/support](http://www.onsemi.com/support)

For additional information, please contact your local Sales Representative at [www.onsemi.com/support/sales](http://www.onsemi.com/support/sales)